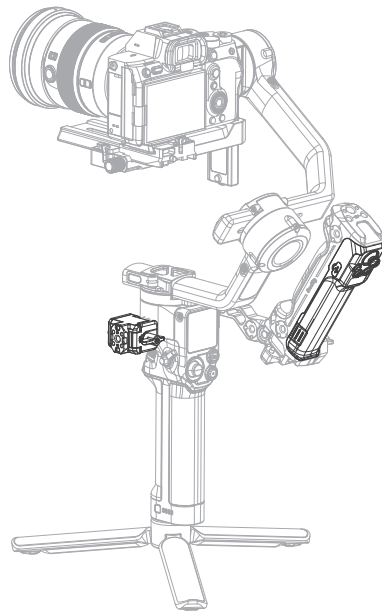


SmallRig



Wireless Controller for DJI RS Series

Compatible with DJI RS 2 / DJI RS 3 Pro

User Manual

Small Rig · Big Dream

For the safety of the user and to prevent damage to the product due to improper use, please read the important notice in this manual carefully before use and keep the manual of SmallRig Wireless Control Sling Handgrip for DJI RS Series 3920 properly for easy reference.

Preface

Thank you for purchasing SmallRig's products.

Important Notice

- Please read this manual carefully.
- This product is not dustproof or waterproof. Please do not use it in water.
- Protect the product from falling to the ground, collision or strong impact.
- Do not apply pressure to the OLED screen. Excessive pressure will cause permanent damage.
- Do not use the product in a completely enclosed environment, as it may cause malfunction, fire or accident due to increased internal temperature.
- Do not place the product in a place of high temperature to avoid damage to the battery or battery explosion.
- Do not place the product in a place with corrosive chemicals to avoid malfunction caused by corrosion.
- Do not place the product near combustible or volatile solutions to avoid fire or smoke.
- Turn off the product after use.
- Please clean this product with a soft, dry cloth.
- This product contains built-in non-removable lithium batteries, unauthorized disassembly is strictly prohibited.
- After being stored for a long time without use, the product should be charged and discharged once in 6 months for maintenance before restoring about 60% of the charged capacity, to extend the life of the battery.
- Please do not throw away the product wilfully as its battery contains a few harmful substances. Please recycle the damaged or unused products in accordance with the waste management measures.
- When the battery icon is flashing, please charge the device immediately, otherwise the device will automatically switch off due to drained battery in about half an hour.



Please do not disassemble the product. If there's any problem with the product, please contact the purchase platform to get after-sales service. This product can control the DJI stabilizer only after being connected with the signal receiver.

This product is specifically designed for the control of DJI RS 2 / RS 3 Pro stabilizer.

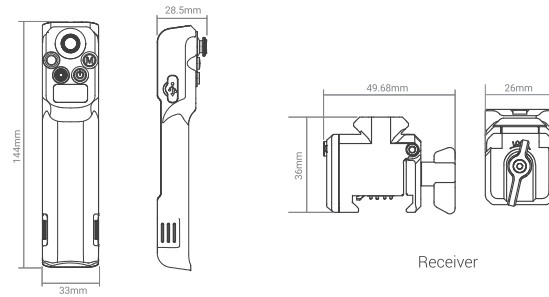
Use Specification

- Please read this manual carefully, especially the "Important notice" section.
- Please use or store the product under the environmental conditions specified in this manual.
- Failure to use the product in accordance with the manual or failure to meet the specified working and storage conditions will be considered a violation of use.

In the Box

- | | | | |
|------------------------|----|-------------------------|----|
| 1. Wireless Controller | x1 | 3. USB-A to USB-C Cable | x1 |
| 2. Receiver | x1 | 4. User Manual | x1 |

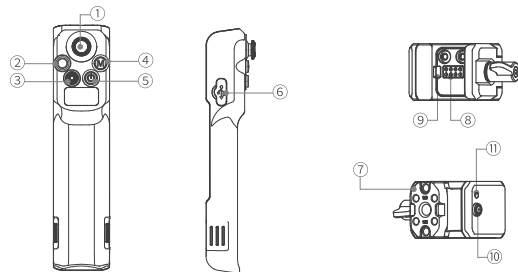
Product Dimension



Wireless Controller



Receiver

Product Description

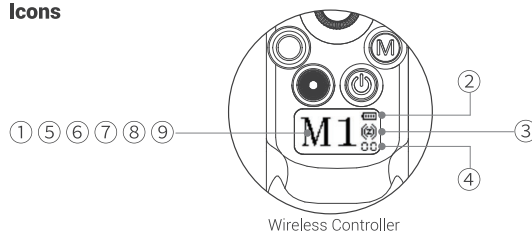


- | | |
|-----------------------|-------------------------------|
| ① Joystick | ⑦ NATO Interface |
| ② Trigger Button | ⑧ Receiver |
| ③ Recording Button | ⑨ Limit Post |
| ④ Mode Switch | ⑩ Signal Configuration Button |
| ⑤ ON / OFF Button | ⑪ Indicator |
| ⑥ USB-C Charging Port | |

Product Function

- Joystick:** Push the joystick up and down to control the pitch-axis movement of the stabilizer, and push the joystick left and right to control the parallel-axis movement of the stabilizer. Joystick calibration [press the trigger button three times continuously and long press it for the fourth time to get the calibration icon on the screen displays . The joystick will rotate at the limit position more than 6 turns and then stop. The joystick will stay in the middle for 20 seconds without any operation. Wait for the calibration to be completed. If the calibration fails, the calibration error  will be displayed and recalibration is required. If the calibration is successful, nothing displays;
- Trigger Button (Centering / Locking):** Click once to start/stop intelligent following, double-click to make the stabilizer go back to the center, triple-click to enter self-timer mode, long press without releasing to lock three axes of the stabilizer, long press the trigger button while clicking the M button to lock or cancel locking stabilizer (the stabilizer is locked if the trigger button is not pressed).
- Video / Photograph Button:** This button has two strokes: lightly press (the first stroke) to autofocus, re-press (the second stroke) to start recording, and the recording time is displayed after the recording starts. Click again to stop recording, re-press and long press to take pictures.
- Mode Switch (M Button):** Click once to switch modes, double-click to enter/exit vertical shooting mode, triple-click to enter/exit 360° rotation mode, long press the M button to enter or release to exit sports mode, long press the M button while double-clicking the trigger button to lock (cancel locking) sports mode.
- ON / OFF / Sleep:** Long press one second to turn on, long press two seconds to turn off, double click the ON / OFF button to make the stabilizer enter/exit sleep mode.
- USB-C Charging Port:** Charge wireless control handgrip with USB-C port and 5V input voltage.
- Signal Receiver:** The communication of wireless control handgrip and stabilizer can be achieved only after the signal receiver is connected with the DJI stabilizer.
- Limit Post:** The limit post must match the NATO interface of the DJI stabilizer, otherwise the stabilizer cannot be controlled.
- Signal Configuration Button:** Long press this module button for 3 seconds to reset the channel to "00". Double-click the button to enter/exit the channel configuration mode.
- Indicator:** If the communication is normal, the blue light will be on; if the communication is not normal, the red light will be on; the blue light flashes when the channel is being configured.

Icons



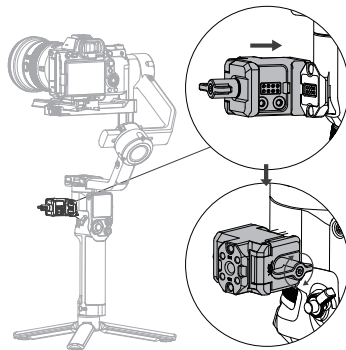
- ① "M1","M2","M3": Mode indication, "☰" is displayed when the stabilizer goes into sleep mode.
- ② "🔋" For Battery indication, and the battery display bar flashes when charging; the icon flashes when the power is $\leq 10\%$;
- ③ "📶" Zigbee icon, which flashes to indicate it is not connected to the remote control;
- ④ "📶" Current channel of the remote control module, range 00 ~ 15;
- ⑤ "🔄" 360 degree rotation mode
- ⑥ "📷" Vertical shooting mode
- ⑦ "🔒" Lock mode
- ⑧ "⚙️"; "⚙️" Display "⚙️" in joystick calibration, display "⚙️" after calibration failure when operating joystick.
- ⑨ "🔌" Power Icon

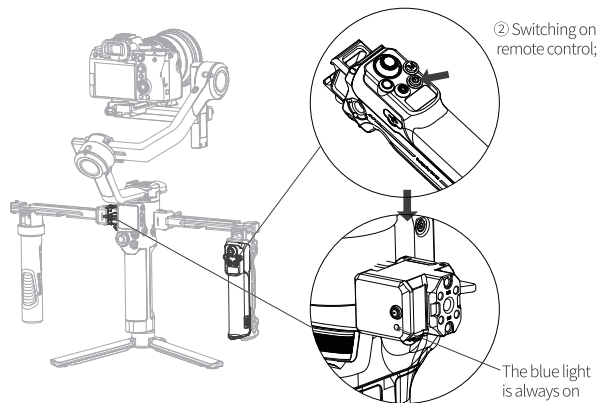
Channel Configuration

1. The initial channel parameter is "00" by default;
2. Switch remote module channel parameters: Long press the M button and the record button on the remote control at the same time (press heavily). After the channel parameters are displayed in the middle of the screen, push the joystick up or down to select the channel (channel range "00" ~ "15"); click the M button to confirm the channel parameters are saved and configured; to abandon the setting, click the trigger button to exit setting.
3. Switch signal receiver channel parameters:
 - Scenario 1: When the receiver and remote control module are connected, double-click the receiver button to enter channel switching mode; repeat step "2" to synchronize the receiver channel parameters.
 - Scenario 2: When the receiver and remote control module cannot be connected, the receiver red light is on and remote control Zigbee icon flashes. Long press the button on the receiver. Reset the channel to "00" as the blue light flashes. The reset is successful when blinking stops; the remote control will switch to "00", and after successful connection, set up as in Scenario 1.

Product Use

- ① Connect the signal receiver on the left side of the stabilizer, and lock the installation knob;





③ If the blue light of the signal receiver is always on and the signal indicator icon" (📶) of the remote control module does not flash, the communication of the handgrip is normal and you can start controlling the stabilizer; if the blue light is always on and the signal indicator icon" (📶) of the remote control module flashes, adjust the channel according to the "channel configuration" method; if the red light is always on, adjust the installation method of the signal receiver until the blue light is always on.

④ Can be used with 3919, 3949, 3953 and 3954.

Product Specifications

Product Dimensions	144 × 33 × 28.5mm
Length of Power Supply Cable	700mm
Product Weight	130g ± 5g
Input Voltage	5V
Materials	Aluminum alloy, TPE
Rated Power	3W
Operating Frequency	2.4000 ~ 2.4835GHz
Wireless Control Distance	≤100m (unobstructed environment)
Latency	≥50ms
Recommended Charging Ambient Temperature	5°C / 41°F ~ 40°C / 104°F
Battery Parameters	630mAh 3.7V 2.331Wh
Endurance	Approx 10 hours
Charging Interval	Approx 2 hours

FCC Statement

This equipment has been tested and found to comply with the limits for a Class B digital device, pursuant to part 15 of the FCC Rules. These limits are designed to provide reasonable protection against harmful interference in a residential installation. This equipment generates, uses and can radiate radio frequency energy and, if not installed and used in accordance with the instructions, may cause harmful interference to radio communications. However, there is no guarantee that interference will not occur in a particular installation. If this equipment does cause harmful interference to radio or television reception, which can be determined by turning the equipment off and on, the user is encouraged to try to correct the interference by one or more of the following measures:

- Reorient or relocate the receiving antenna.
 - Increase the separation between the equipment and receiver.
 - Connect the equipment into an outlet on a circuit different from that to which the receiver is connected.
 - Consult the dealer or an experienced radio/TV technician for help.
- Caution: Any changes or modifications to this device not explicitly approved by manufacturer could void your authority to operate this equipment.
- This device complies with part 15 of the FCC Rules. Operation is subject to the following two conditions: (1) This device may not cause harmful interference, and (2) this device must accept any interference received, including interference that may cause undesired operation.

RF Exposure Information

The device has been evaluated to meet general RF exposure requirement. The device can be used in portable exposure condition without restriction.

FCC ID: 2AZW-3920TXLEQI FCC ID: 2AZW-3920RXLEQI

IC Warning

English: This device complies with Part 15 of the FCC Rules [and contains license-exempt transmitter(s)/receiver(s) that comply with Innovation, Science and Economic Development Canada's licence-exempt RSS standard(s)]. Operation is subject to the following two conditions: (1) this device may not cause harmful interference, and (2) this device must accept any interference received, including interference that may cause undesired operation.

The digital apparatus complies with Canadian CAN ICES - 3 (B)/NMB - 3(B). French: L'émetteur/récepteur exempt de licence contenu dans le présent appareil est conforme aux CNR d'Innovation, Sciences et Développement économique Canada applicables aux appareils radio exempts de licence. L'exploitation est autorisée aux deux conditions suivantes:

- (1) l'appareil ne doit pas produire de brouillage, et
- (2) l'appareil doit accepter tout brouillage radioélectrique subi, même si le brouillage est susceptible d'en compromettre le fonctionnement. L'appareil numérique du clem conforme canadien peut - 3 (b) / nmb - 3 (b).

This device meets the exemption from the routine evaluation limits in section 2.5 of RSS 102 and compliance with RSS 102 RF exposure, users can obtain Canadian information on RF exposure and compliance.

cet appareil est conforme à l'exemption des limites d'évaluation courante dans la section 2.5 du cnr - 102 et conformité avec rss 102 de l'exposition aux rf, les utilisateurs peuvent obtenir des données canadiennes sur l'exposition aux champs rf et la conformité.

This equipment complies with Canada radiation exposure limits set forth for an uncontrolled environment.

Cet équipement est conforme aux limites d'exposition aux rayonnements du Canada établies pour un environnement non contrôlé.

RF Exposure Statement

The device has been evaluated to meet general RF exposure requirement.

The device can be used in portable exposure condition without restriction.

L'appareil a été évalué pour répondre aux exigences générales d'exposition aux radiofréquences.

L'appareil peut être utilisé en condition d'exposition portable sans restriction.

IC: 27649-3920TXLEQI IC: 27649-3920RXLEQI

Service Warranty

Please keep your original receipt and guarantee card. Be sure the dealer has written on it the date of purchase and SN of the product. These are required for warranty service.

After-sale warranty terms

- 1. 7 Days DOA Return Policy: Within 7 days from the date of the package receipt, return or replacement can be done if the item received is malfunctioning or physical damaged (not caused by human abused), return shipping cost will be on SmallRig's charge.
- 2. 1-Year Warranty: Within 1-year from the date of the package receipt, defective product which is not caused by human abused is eligible to get repair / replacement for free; defective product which is caused by human abused, repair / replacement will be charged based on the damage level.

This warranty does not cover

- 1. Defect caused by users' violation of the "Important Notice" and "Use Specification".
- 2. The product identification or SN label is removed or defaced in any way.
- 3. The product is serviced or repaired by any one other than our company or the service agency authorized by our company.

Guarantee Card

Serial No.	
Item Name	
Purchase Date	
User Name	
Mobile	
Address	
Receipt	

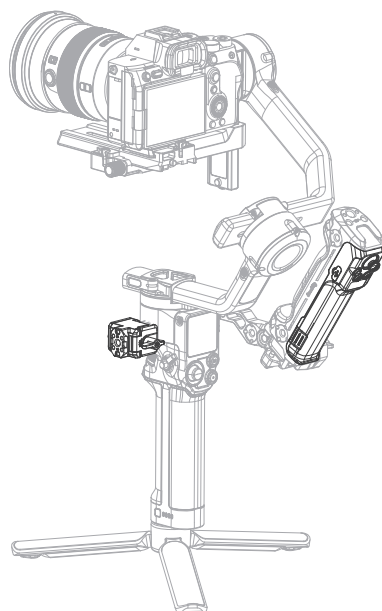


FCC ID: 2AZWI-3920TXLEQI IC: 27649-3920TXLEQI
FCC ID: 2AZWI-3920RXLEQI IC: 27649-3920RXLEQI



Made in China www.smallrig.com
Manufacturer: Shenzhen Leqi Network Technology Co., Ltd.
Add: 1st Floor, Building 9, Yazhou Industrial Park, Bantian, Longgang, Shenzhen, Guangdong, China.

SmallRig



DJI RS 系列无线控制模块

适配于 RS 2 / RS 3 Pro

用户手册

Small Rig · Big Dream

为了保障使用者的安全以及防止不当使用导致产品损坏,请在使用前仔细阅读本手册的重要提示,并妥善保管手册资料,以备随时查阅, SmallRig DJI RS系列无线控制提壶手柄-3920用户手册。

前言

感谢您购买 SmallRig 产品。

重要提示

- 请认真阅读本用户手册。
- 请勿在水中使用,本产品不具备防尘、防水功能。
- 请勿让产品掉落到地面、受到碰撞或强烈冲击。
- 请勿对本机的OLED屏幕施压,过度的压力将会导致屏幕的永久性损坏。
- 请勿在完全封闭的环境下使用,否则可能使内部温度升高而导致产品故障、起火或意外事故。
- 请勿将本产品放置在温度过高的地方,高温可能导致产品内电池受损或爆炸。
- 请勿将本产品放置在有腐蚀性化学物品的地方,以免产品受到腐蚀,被腐蚀可能引起产品故障。
- 请勿将产品放置在可燃或易挥发的溶液附近,否则可能引发火灾或产生烟雾。
- 此产品使用完毕后务必将产品关机。
- 请用软布、干布清洁本产品。
- 本产品含内置式不可拆卸锂电池,严禁擅自拆机。
- 产品在长时间储存不用时,应在6个月内进行一次充放电维护,并恢复60%左右的带电量,以延长电池的使用寿命。
- 电池内部有少许有害物质,请勿任意丢弃,请将损坏或是不再使用的产品,依照废弃物管理办法回收处理。
- 当电量图标整体闪烁时,请及时给设备充电,否则半小时左右设备会因电量耗尽而自动关机。



请勿拆卸产品,如果您怀疑产品有任何问题,请联络购买平台,申请售后处理;
只有连接了信号接收器之后,该产品才可以控制DJI稳定器;
该产品专用于控制DJI RS 2 / RS 3 Pro 稳定器。

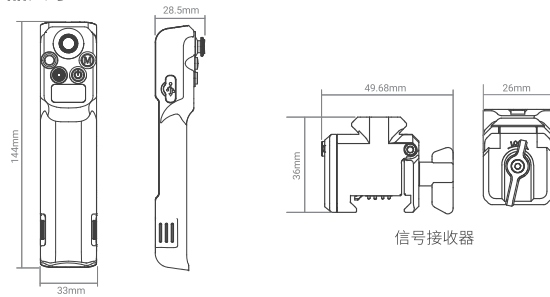
设备使用规范

- 请仔细阅读用户手册,特别是“重要提示”部分;
- 请在本手册规定的环境条件下使用或保存本产品;
- 如不按照本手册使用产品,或不遵守规定的工作和保存条件,将被视为违规使用。

包装清单

- | | | | |
|------------|----|-----------------------|----|
| 1. 无线控制遥控器 | ×1 | 3. USB-A to USB-C 数据线 | ×1 |
| 2. 信号接收器 | ×1 | 4. 用户手册 | ×1 |

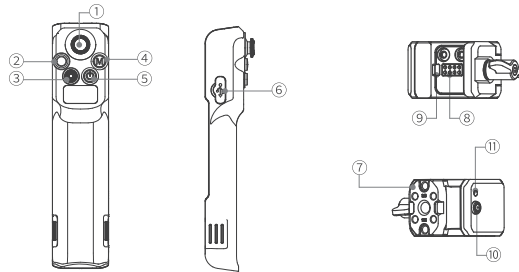
产品尺寸



无线控制遥控器

信号接收器

产品简介

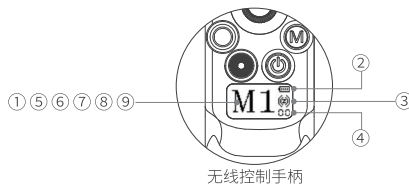


- | | | |
|--------|-------------|----------|
| ① 摇杆 | ⑤ 开关键 | ⑨ 限位柱 |
| ② 扳机键 | ⑥ USB-C 充电口 | ⑩ 信号配置按键 |
| ③ 录制键 | ⑦ NATO接口 | ⑪ 指示灯 |
| ④ 模式切换 | ⑧ 信号接收器 | |

产品功能

1. 摇杆:上下推动摇杆控制稳定器俯仰运动,左右推动摇杆控制稳定器平移运动,摇杆校准方法:连续按扳机键三下,第四下长按,屏幕显示校准图标“⊕”,然后摇杆在极限位置旋转6圈以上停止;摇杆停留中间位置20秒不做任何操作,等待校准完成;若校准失败则显示校准错误“⊖”,需要重新校准,若校准成功则不显示;
2. 扳机键(回中/锁定):单击开始/停止智能跟随、双击稳定器回中、三击进入自拍模式、长按不放锁定稳定器三轴、长按扳机键同时单击M键锁定或退出锁定稳定器(不按扳机键情况下锁定)。
3. 录像/拍照键:此键有两段行程,轻按(第一段行程)控制相机自动对焦,重按(第二段行程)控制相机开始录像,录制开始后显示录制时长,再次点击停止录制,重按并长按控制相机拍照。
4. 模式切换(M键):单击切换模式、双击进入/退出竖拍模式、三击进入/退出360°旋转模式、长按M键进入运动模式/松开退出,长按M时同时双击扳机键锁定(退出锁定)运动模式。
5. 开关/睡眠:长按一秒开机、长按两秒关机、双击开关机键稳定器进入/退出睡眠状态。
6. USB-C充电口:USB-C接口,输入电压为5V,用于无线控制手柄充电。
7. 信号接收器:与大疆稳定器连接后,无线控制手柄与稳定器才可实现通讯。
8. 限位柱:限位柱必须与大疆稳定器Nato接口上的对应,否则无法控制稳定器。
9. 信号配置按键:长按此模块按键3秒重置信道为“00”、双击按键,进入/退出信道配置模式。
10. 指示灯:通讯正常则蓝灯常亮,无法正常通讯则红灯常亮,正在配置信道则蓝灯闪烁。

图标指示

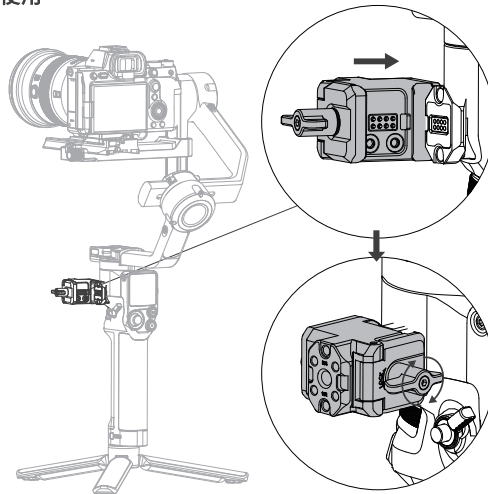


- ① “M1”, “M2”, “M3”: 模式指示, 稳定器进入休眠后显示“☾”;
- ② “▢” 电量显示, 充电时电量显示条闪烁; 电量≤10%时, 整体图标闪烁;
- ③ “⊕” Zigbee图标, 闪烁代表与遥控器未连接, 不闪烁代表已连接;
- ④ “00” 遥控模块当前信道, 范围00~15;
- ⑤ “360” 360度旋转模式
- ⑥ “竖拍” 竖拍模式
- ⑦ “锁” 锁定模式
- ⑧ “⊕”, “⊖” 进入摇杆校准时显示“⊕”, 校准失败后操作摇杆显示“⊖”;
- ⑨ “off” 关机启动标志

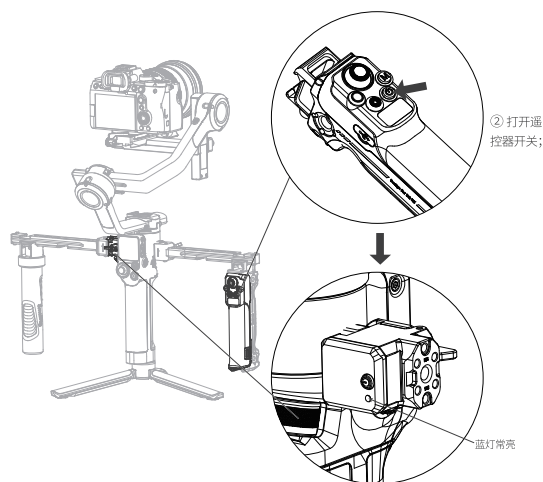
信道配置

1. 初始信道参数默认为“00”；
2. 切换遥控模块信道参数: 在遥控器上同时长按M键和录制键(重按), 屏幕中间位置显示信道参数后, 向上或者向下推动摇杆选择信道(信道范围“00”~“15”), 单击M键确认信道参数保存并配置, 若要放弃设置则单击扳机键退出设置;
3. 切换信号接收器信道参数:
 - 情况一: 接收器与遥控模块连接正常情况下, 双击接收器按键, 接收器进入信道切换模式, 重复第“2”步, 同步设置接收器信道参数。
 - 情况二: 接收器与遥控模块不能连接, 接收器红灯常亮, 遥控器Zigbee图标持续闪烁. 在接收器上长按按键, 蓝灯闪烁复位信道为“00”, 停止闪烁即复位成功, 将遥控器切换为“00”, 连接成功后, 按照情况一进行设置。

产品使用



① 在稳定器左侧连接信号接收器, 并锁紧安装旋钮。



③ 信号接受器蓝灯常亮, 遥控模块信号指示图标“(Ⓢ)”不闪烁, 说明手柄通讯正常, 可开始控制稳定器; 若蓝灯常亮, 遥控模块信号指示图标“(Ⓢ)”闪烁, 则根据“信道配置”方式调整信道; 若红灯常亮, 则调整信号接收器安装方式, 直至蓝灯常亮。

④ 可搭配在3919、3949、3953、3954一起使用。

产品规格

产品尺寸	144 × 33 × 28.5mm
供电线长度	700mm
产品重量	130g ± 5g
输入电压	5V
主要材料	铝合金、TPE
额定功率	3W
工作频率	2.4000 ~ 2.4835GHz

遥控距离	≤100m (无障碍环境)
延时	≥50ms
建议充电环境温度	5°C ~ 40°C
电池规格	630mAh 3.7V 2.331Wh
续航	约10小时
充电	约2小时

保修条款

请保留您的原始购买单据及保修卡,同时包含您的购买日期、产品序列号等,这些资料质保服务时均需要提供。

售后质保条款

1. “七天无理由包退 / 换”:自签收之日起7日内,用户可以选择换货 / 退货。
2. “一年质保”:自签收之日起一年内,出现非人为产品故障,用户可以获得免费维修 / 换货;出现人为损坏,需要付费进行维修 / 换货。

质保无效说明

1. 当用户违反本用户手册中“重要提示”“设备使用规范”任何一条导致的质量失效,不在质保范围。
2. 产品序列号标识已经被撕毁或无法辨识,不在质保范围。
3. 产品未经本公司或者指定授权维修公司检修及改装的,不在质保范围。

保修卡

产品编号	
产品名称	
购买日期	
用户姓名	
用户电话	
用户地址	
购买单据	



FCC ID: 2AZWI-3920TXLEQI IC: 27649-3920TXLEQI
FCC ID: 2AZWI-3920RXLEQI IC: 27649-3920RXLEQI



www.smallrig.com

中国制造

制造商:深圳市乐其网络科技有限公司

地址:中国广东省深圳市龙岗区坂田亚洲工业园9栋1楼