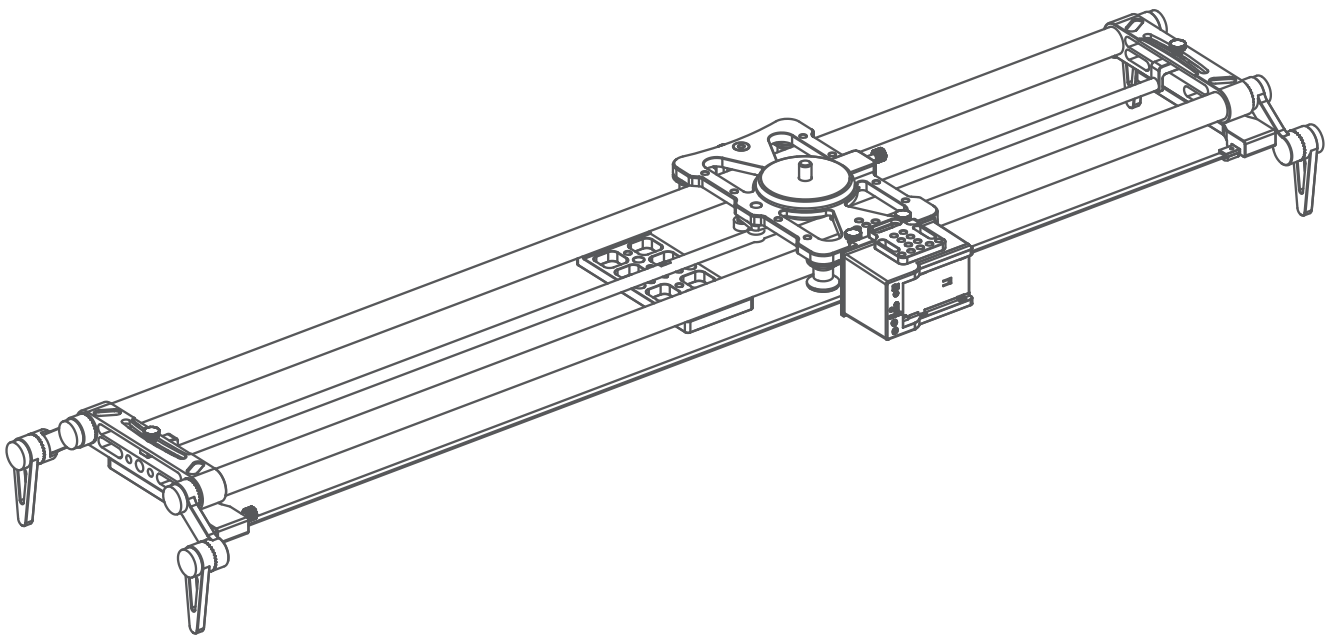


SmallRig



3542

Motorized Slider MS-10

Instruction Manual

Small Rig · Big Dream

For the safety of the user and to prevent damage to the product due to improper use, please read the important notice in this manual carefully before use and keep the manual properly for easy reference. Motorized Slider MS-10 - Instruction Manual.

Preface

Thank you for purchasing SmallRig products.

Important Notice

1. This product is not dustproof and waterproof, please do not use it in water.
2. Protect the product from falling to the ground or strong impact.
3. Do not use the product in a completely enclosed environment, as it may cause malfunction.
4. Do not place the product near combustible or corrosive solutions.
5. Do not disassemble the product by yourself to avoid malfunction due to improper operation.

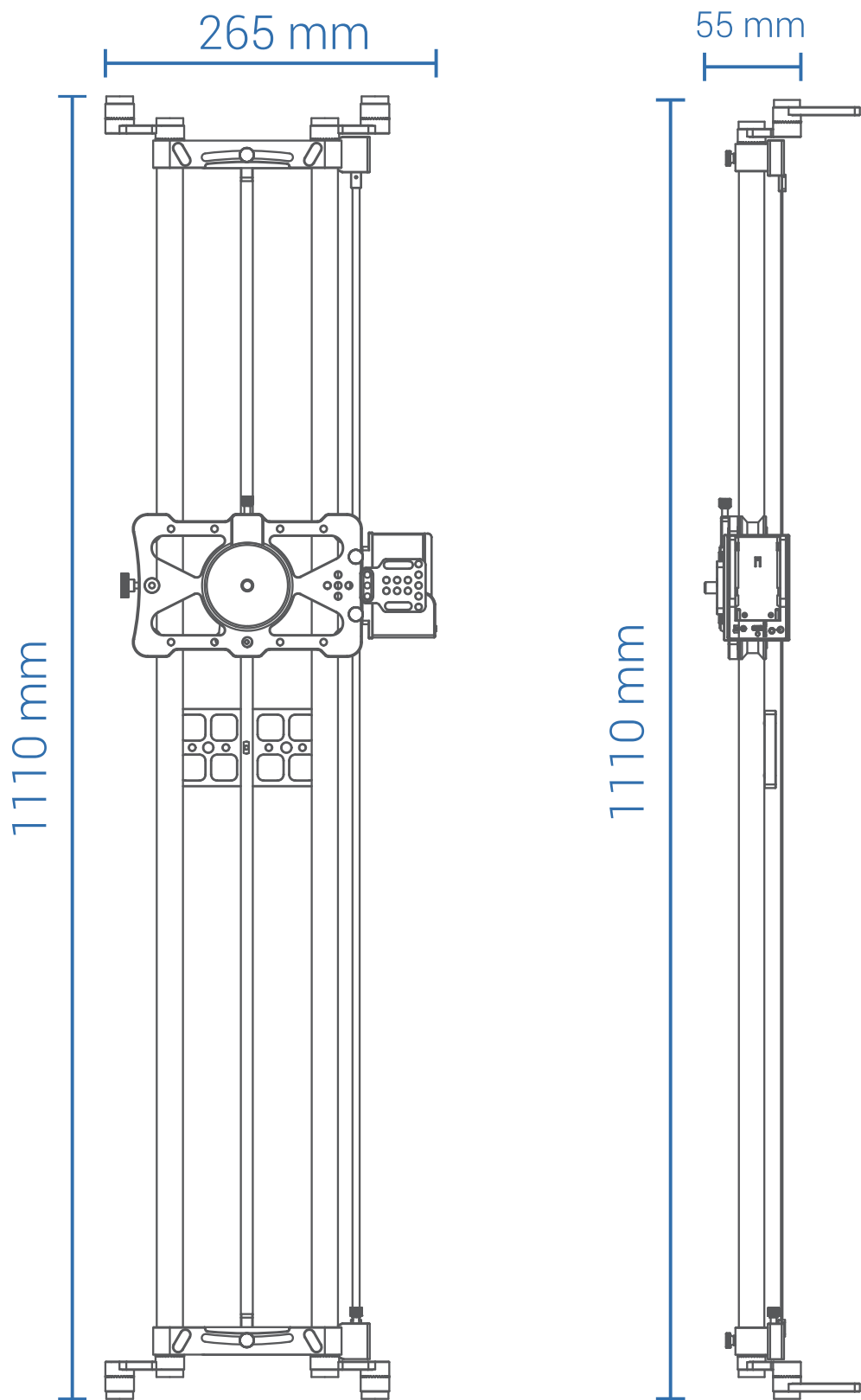
Use Specification

1. Please read this instruction manual carefully, especially the "Important notice" section.
2. Please use or store the product under the environmental conditions specified in this instruction manual.
3. Failure to use the product in accordance with the manual or failure to meet the specified working and storage conditions will be considered a violation of use.

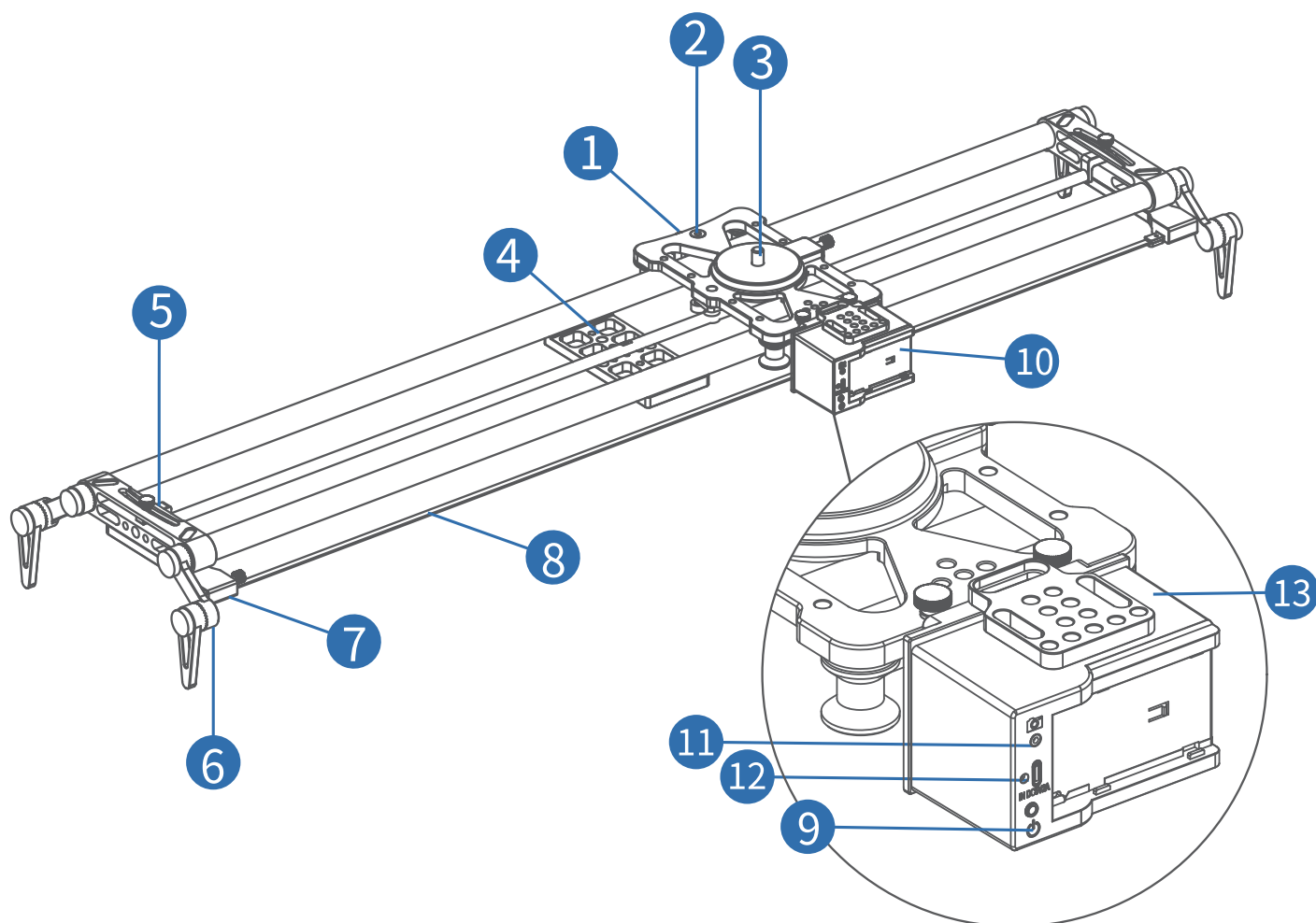
List Of Items

1. Motorized Slider × 1
2. Shutter Release × 3
3. Mounting Plate × 1
4. Carry Bag × 1
5. User Manual × 1

Product Size



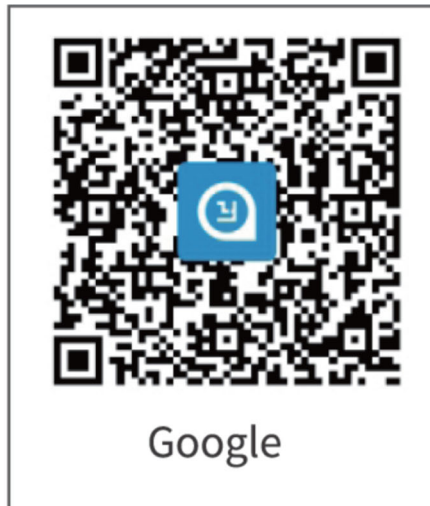
Product Overview



- ① Locking knob
- ② Gradientser
- ③ 3/8 Screw
- ④ 1/4,3/8 Screw hole
- ⑤ Follow focus bar adjusting set
- ⑥ Arri gear upholders
- ⑦ Rubber band clamp
- ⑧ Motor transmission band
- ⑨ Power switch
- ⑩ Battery Compartment
- ⑪ 2.5mm Shutter Cable Port
- ⑫ USB Type-C power supply port
- ⑬ Mounting Plate

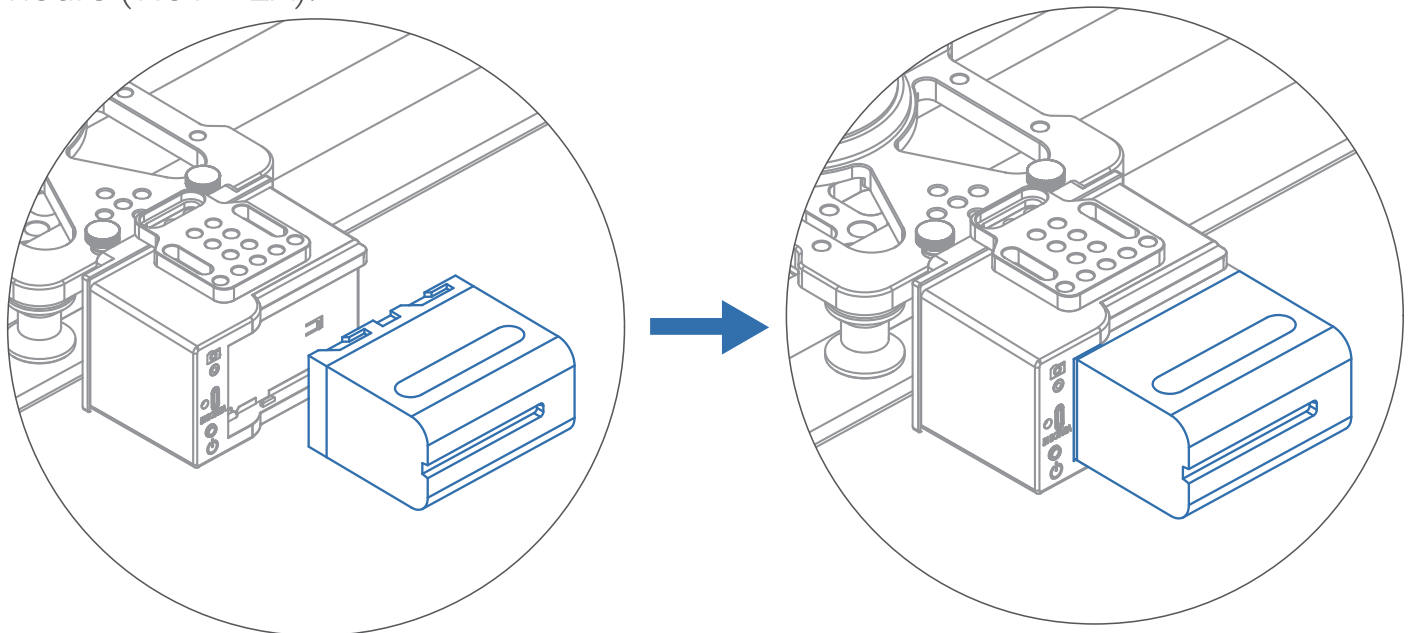
APP Download

Please scan the QR code to download.



The Power Supply Mode

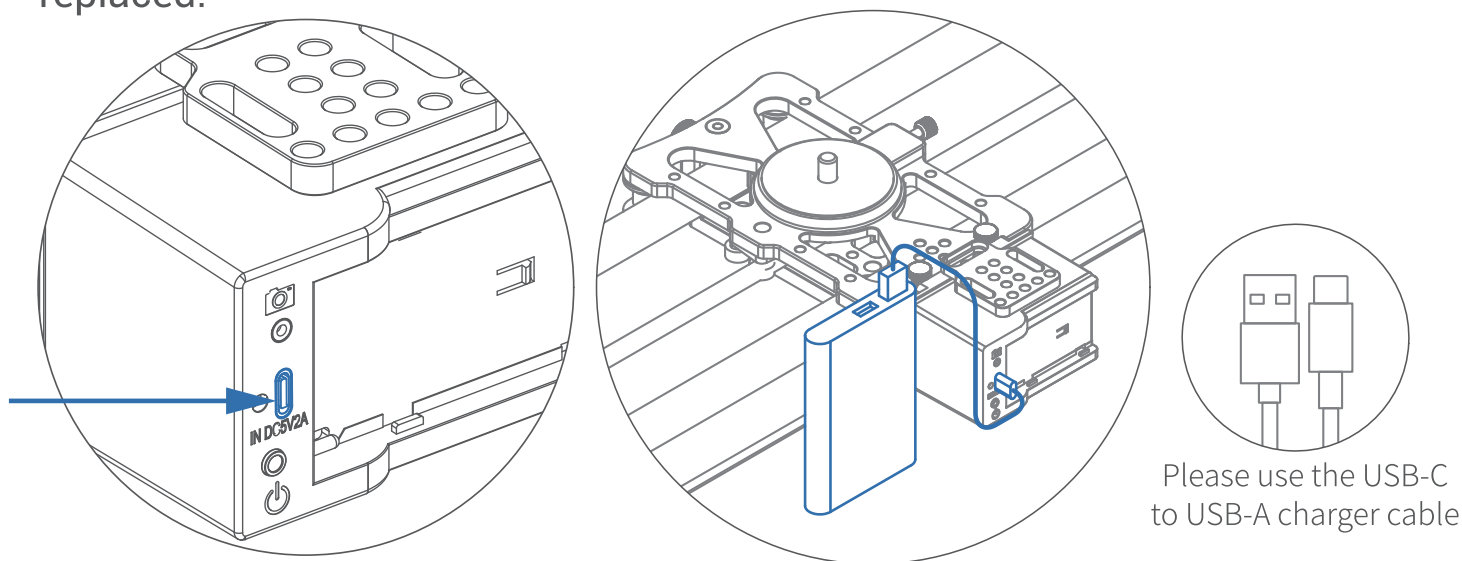
External Battery Supply: Power supplied by external battery, please insert standard Sony F550 / F750 / F970 (Not included) into the battery compartment.
Battery Life: F550 battery~4 hours, F750 battery~8 hours, F970 battery~11 hours (7.5V = 2A).



Power Bank Supply

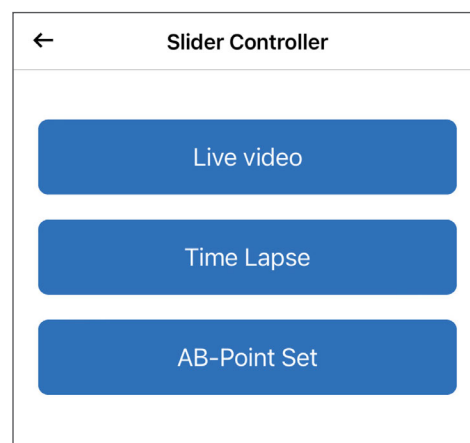
The USB data cable is inserted into the USB-C interface of the product and supplied with 5V 2A voltage.

Emergency battery replacement method. When the battery power is too low, the indicator light flashes quickly. The 5V 2A charger can be inserted into the USB-C interface of the slide rail. At this time, the battery can be replaced.



Connecting

Please open the APP and scanning interface will show the name of product(ZY-A630), than click it.

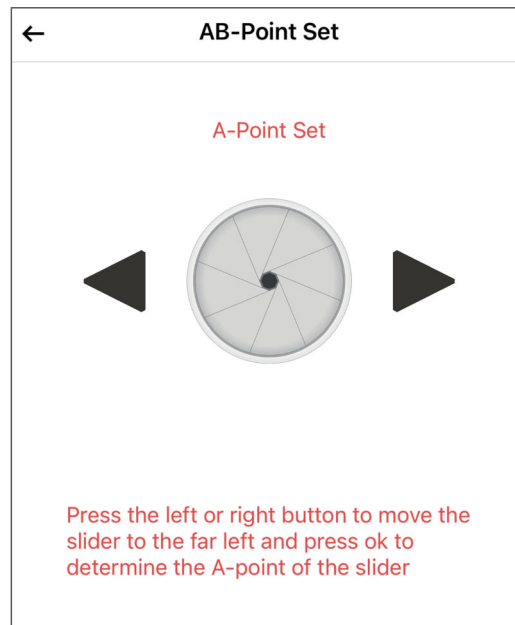


When the LED is flickering at slowly speed(1S on, 1S off), it indicates that the product is in the state of pairing and can be connected with the mobile APP. If the product is not at this state, it indicates the product has connect with other phone, please disconnect first; or the product is power down or low voltage, please check it.

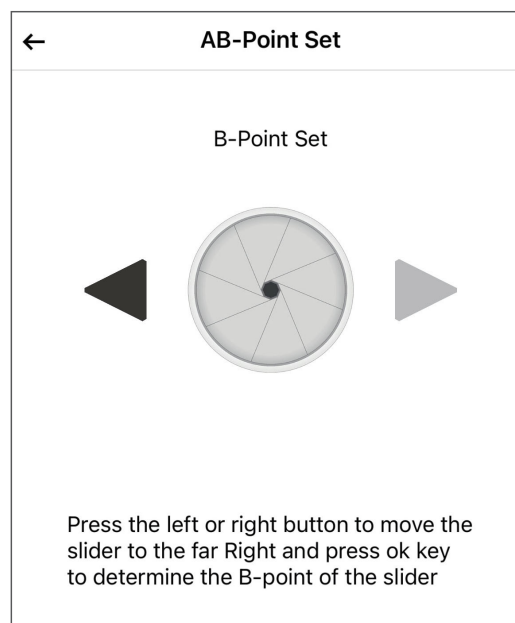
A, B Position

Long press the left button to reach the specified position, press the OK key, the setting of point A is completed, and automatically enter the positioning interface of point B.

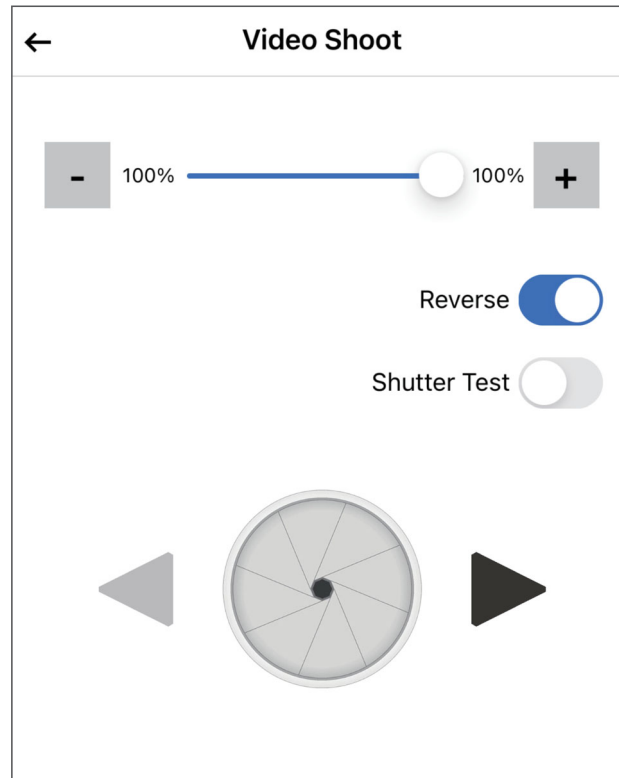
Sider keep a safe distance from both sides (at least 5cm).



Long press the right button to reach the specified position, press the OK key, point B is set and enter the main interface automatically.



Video Mode



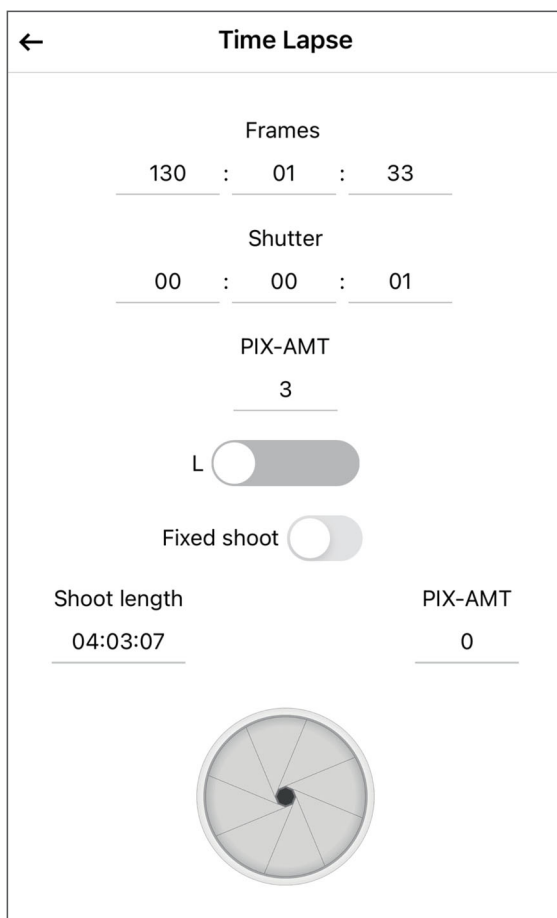
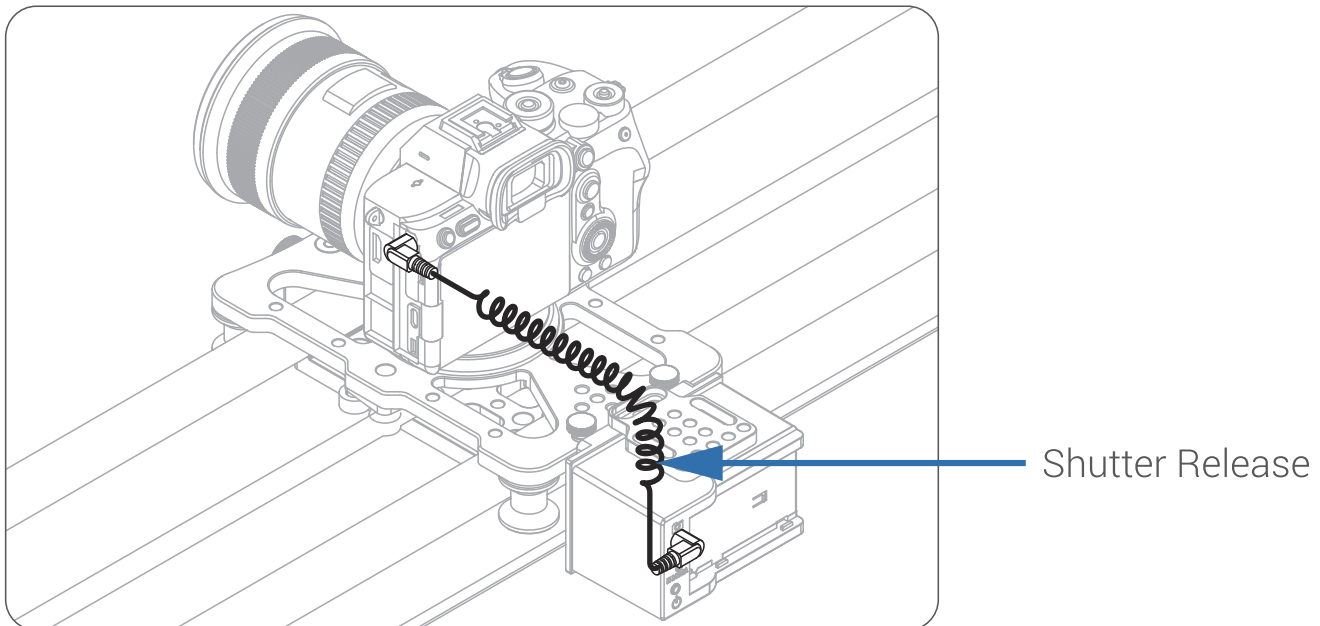
Enter the video mode and select the direction of operation, in the process of operation can be real-time adjustment of the speed of operation, if you need to pause you can press OK key, the product is round-trip default opened automatically, if it is round-trip back automatically to the both ends.

Shutter Test: Long press the direction button to control the movement of the product, release the direction button to stop the movement of the product, and adjust the operation speed during the operation. At this time, the OK button can control the camera to take pictures (please connect the shutter cable in advance if you need this function), press the OK button to open the camera shutter, and then press the OK button to close the shutter.

Progress Bar	Real-time adjustment of the speed in operation
Shutter Test	Select the product if it is manually controled operation
Reverse	The product is round-trip

Time-lapse Photography

Select the shutter release according to the model of the camera.

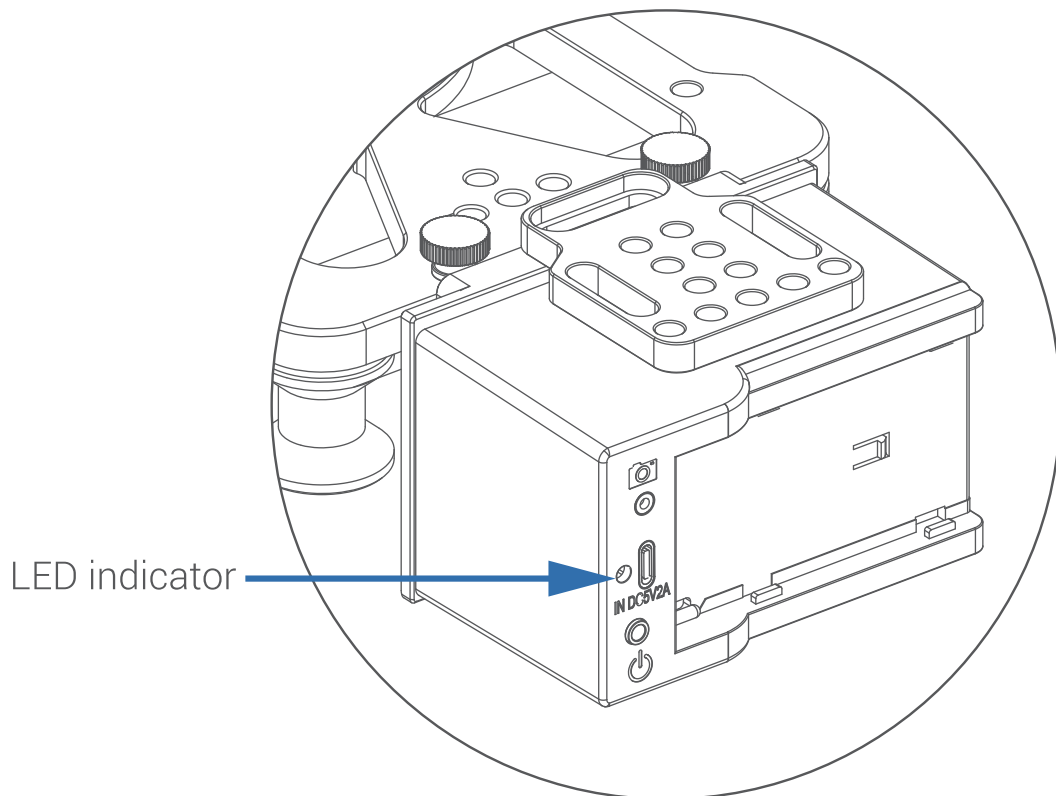


Enter the time-lapse photography mode, and according to the shooting requirements, successively set the time for each frame, the exposure time and the number of pictures to be shot. After the setting is completed, the program will automatically calculate the total time required for the entire delay. Select point A(left), and click "OK", the slide track will automatically return to point B(right) and runs toward point A (left). Select point B(right), and click "OK", the slide track will automatically return to point A(left) and runs to point B(right). Press OK to start the product. If you need to pause, press OK.

Fixed shoot: After setting the delay parameter, the product completes the whole delay photography at the origin.

Frames	Time to complete a photo (including exposure time)
Shutter	Set the exposure time that triggers the camera shutter to open and close
PIX-AMT	Set the number of photos to be taken during the entire delay
Fixed Shoot	Select whether to let the slider complete the time-lapse photography at the origin
Shoot Length	The total time of completion is automatically calculated according to the set delay parameter, which cannot be set

The LED Indicator

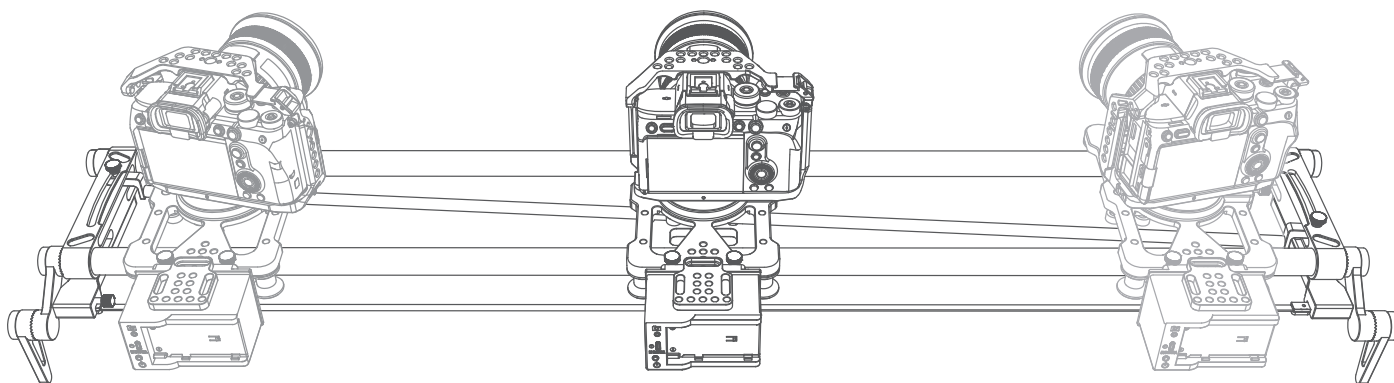


1. Low power : The LED begin flashing quickly.
2. Bluetooth Paring: the LED begin flashing at speed 1S on,1S off.
3. Other state: Normally on.
4. Time-lapse: The LED is bright green when the shutter is open.The green led is turned off when the shutter is closed.

Shooting Modes

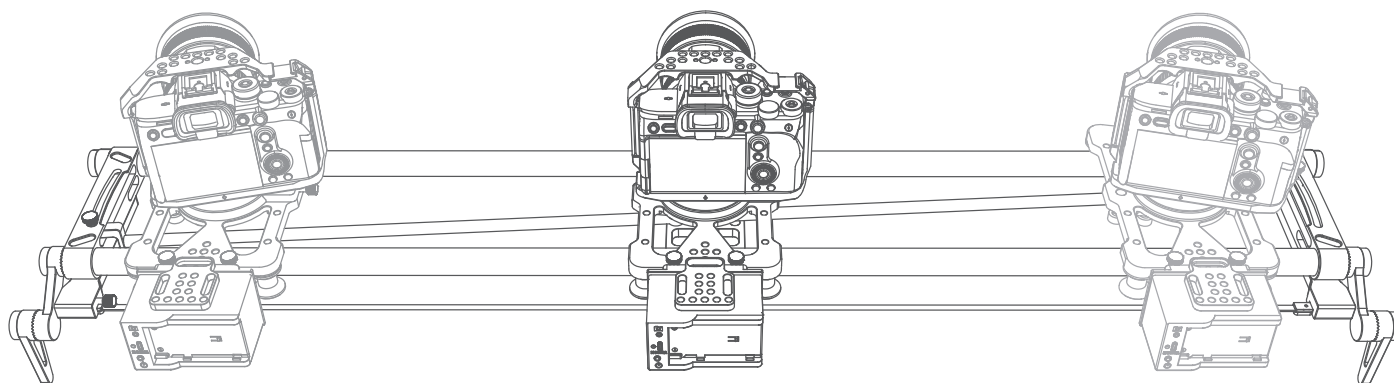
1.Parallax Shot:

Move the Follow focus bar left side up, right side down for Parallax Shot. Don't forget to adjust center focus right on the subject, and then move sliding block to left/right end,adjust lens focus on the subject while moving the adjusting rod. (Maximum follow focus angle is 110°)



2.Panorama Shot:

Move the Follow focus bar left side down, right side up for Panorama Shot. (Maximum follow focus angle is 110°)



Specification

Product Name	SmallRig Motorized Slider MS-10
Product Size	111cm X 26.5cm X 5.5cm
Product Net Weigh	2.8kg
Slider Horizontal Load-bearings	Suggest $\leq 15\text{kg}$
Slider $\leq 45^\circ$ Tilt Load-bearings	Suggest $\leq 2.5\text{kg}$
Slider 90° Tilt Load-bearings	Suggest $\leq 1.5\text{kg}$
Screw Standard	1/4、3/8
Material	Aluminum Alloy and Carbon Fiber
APP Compatibility	Android 4.3 or later, iOS 7.0 or later
Operating Temperature	-10°C to 65°C
Input Voltage	5V = 2A, 7.5V = 2A
Maximum Current	1.2A

The sider load-bearings, APP compatibility, and operating temperature and were tested under controlled laboratory conditions with maximum speed in operation.

Warranty Terms

Please do not disassemble the product. If there's any problem with the product, you could contact the purchase platform to get after-sales service.

After-Sales Warranty Terms

1. "Seven-day unconditional return/exchange": Within 7 days from the date of receipt, the user can exchange/return the product.
2. "One-year warranty": Within one year from the date of receipt, the user can get free repair/exchange in case of non-man-made product failure; in case of man-made damage, the user needs to pay for repair/exchange.

Warranty Invalidation Description

1. The quality failure caused by the user's violation of the "important notice" and "use specification" in this manual will not be covered by the warranty.
2. The warranty does not cover products with torn or illegible serial numbers.
3. The warranty does not cover products that have been serviced or modified by parties other than our company or our authorized repair companies.

Guarantee Card

Serial No.	
Item Name	
Purchase Date	
User Name	
Mobile	
Address	
Receipt	

FCC& ISDE Statement

This device complies with Part 15 of the FCC Rules and with Industry Canada licence-exempt RSS standard(s). Operation is subject to the following two conditions:

(1) this device may not cause harmful interference, and (2) this device must accept any interference received, including interference that may cause undesired operation.

Cet appareil est conforme à la partie 15 des règles de la FCC et aux normes RSS exemptées de licence d'Industrie Canada. Le fonctionnement est soumis aux deux

conditions suivantes : (1) cet appareil ne doit pas causer d'interférences nuisibles, et (2) cet appareil doit accepter toute interférence reçue, y compris les interférences pouvant entraîner un fonctionnement indés

Changes or modifications to this unit not expressly approved by the party responsible for compliance could void the user's authority to operate the equipment.

NOTE: This equipment has been tested and found to comply with the limits for a Class B digital device, pursuant to Part 15 of the FCC Rules. These limits are designed to provide reasonable protection against harmful interference in a residential installation. This equipment generates, uses and can radiate radio frequency energy and, if not installed and used in accordance with the instructions, may cause harmful interference to radio communications. However, there is no guarantee that interference will not occur in a particular installation. If this equipment does cause harmful interference to radio or television reception, which can be determined by turning the equipment off and on, the user is encouraged to try to correct the interference by one or more of the following measures:

- Reorient or relocate the receiving antenna.
- Increase the separation between the equipment and receiver.
- Connect the equipment into an outlet on a circuit different from that to which the receiver is connected.
- Consult the dealer or an experienced radio/TV technician for help.

This device meets the exemption from the routine evaluation limits in section 2.5 of RSS 102 and compliance with RSS 102 RF exposure, users can obtain Canadian information on RF exposure and compliance.

cet appareil est conforme à l'exemption des limites d'évaluation courante dans la section 2.5 du cnr - 102 et conformité avec rssi 102 de l'exposition aux rf, les utilisateurs peuvent obtenir des données canadiennes sur l'exposition aux champs rf et la conformité.

This equipment complies with Canada radiation exposure limits set forth for an uncontrolled environment.

Cet équipement est conforme aux limites d'exposition aux rayonnements du Canada établies pour un environnement non contrôlé.

Radiation Exposure Statement

This equipment should be installed and operated with minimum distance 20cm between the radiator & your body.

Cet équipement doit être installé et utilisé à une distance minimale de 20 cm entre le radiateur et votre corps.