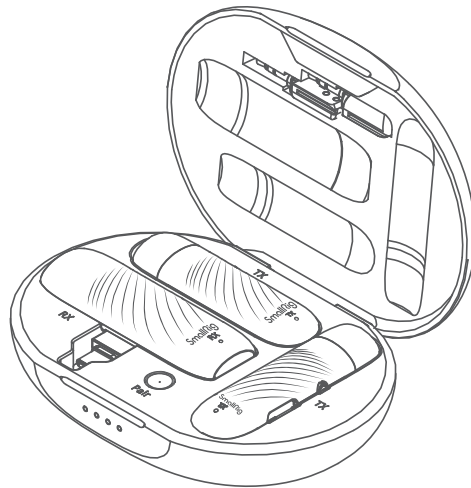


SmallRig



Wave W2-L

Wireless Lavalier Microphone

User Manual

Small Rig · Big Dream

Hello!

Thank you for purchasing SmallRig Wave W2-L. It is a high-quality wireless microphone and designed for podcast, vlogger, live streaming of games and dubbing requiring broadcasting quality. Wave W2-L with wireless audio transmission technology of low-latency features excellent sound quality, compact and concise design, superior surface treatment. It supports plug and play in iPhone series*. Therefore, Wave W2-L can satisfy your demand for real-time recording. Wave W2-L is designed with interchangeable interfaces, gain adjustment, and microphone mute control, aiming to bring a high-level sound and recording experience for you.

*

•iPhone 13 Pro Max •iPhone 13 Pro •iPhone 13 •iPhone 13 mini •iPhone SE (2nd generation) •iPhone 7 Plus
•iPhone 12 Pro Max •iPhone 12 Pro •iPhone 12 •iPhone 12 mini •iPhone XS •iPhone XR •iPhone X
•iPhone 11 Pro Max •iPhone 11 Pro •iPhone 11 •iPhone XS Max •iPhone 8 Plus •iPhone 8 •iPhone 7

Warnings

- Please read this User Manual carefully.
- Please do not use the product in water.
- The product contain electronic components, do not let the product fall to the ground, be hit, or suffer a violent impact.
- Please do not use the product in a completely closed environment. It may increase the internal temperature of the product, which causes product failure, ignition, or other accident.
- Never remove the non-detachable lithium battery in the product without permission.
- When the battery of the product is not in use for a long time, please charge and discharge the battery every six months, and provide it with about 60% of the electric quantity to prolong its service life.
- Since there are some hazardous substances in the battery of the product, please do not discard it. Instead, dispose of the product that is damaged or will never be used according to the waste management measures.
- When the product is not in use, it should be stored in a dry and clean place. Avoid high temperature, high humidity, and strong magnetic field.

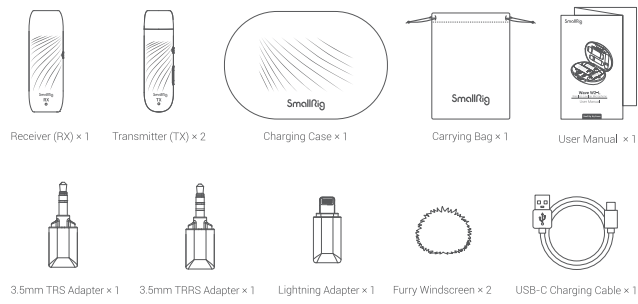


Please do not disassemble the product. If you have any questions, please contact the seller to apply for after-sales service.

Intended Use

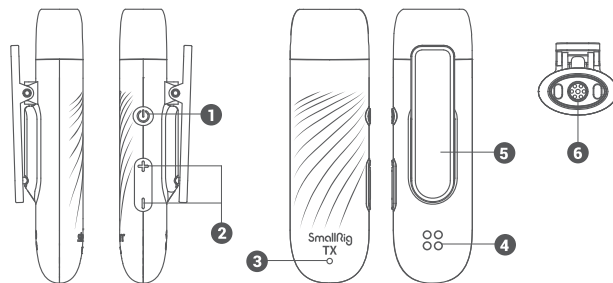
- Please read this User Manual carefully, especially the "Warnings".
- Please use or store the product in the environment mentioned herein.
- Failure to use the product as per this User Manual or under the specified working and storage conditions will be deemed as improper use.

In the Box



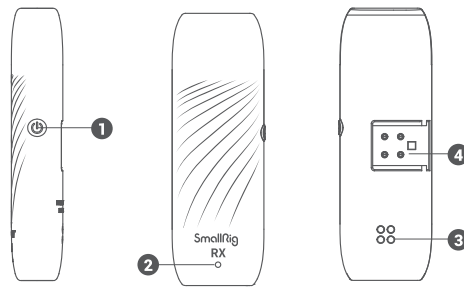
Product Details

Transmitter (TX)



- ① On / Off button
- ② "+-" microphone gain adjustment button
- ③ LED indicator light
- ④ Charging contact
- ⑤ Collar clip
- ⑥ Microphone pickup hole

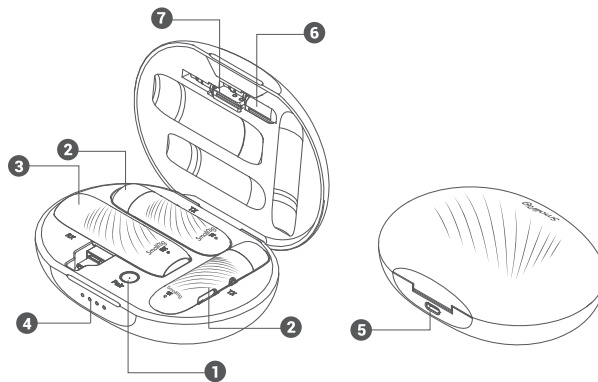
Receiver (RX)



- 1 On / Off button
- 2 LED indicator light

- 3 Charging contact
- 4 Adapter interface

Charging Case



- 1 Pair button
- 2 Transmitter (TX)
- 3 Receiver (RX)

- 4 LED indicator light
- 5 USB-C charging port
- 6 3.5mm TRS Adapter
- 7 3.5mm TRRS Adapter

Product Operations

1. Pairing and Use

The microphone TX and receiver RX have been paired before leaving the factory. You can plug RX into the mobile phone or other devices after taking it out from the charging case. Then TX will automatically start and carry out pairing connection.

➤ **Use:** Take out microphone TX and clamp it at the collar. Take out the receiver and plug into the corresponding interface of the device and you are ready to go.

➤ **Manual pairing:** transmitter (TX) and receiver (RX) pairing is through pressing the "Pair" button for 5 seconds in the charging case, if pairing success the white lights flash 3 times; after paired success, the indicator lights of the transmitter (TX) / receiver (RX) are normal white on when take out and working, if not paired success, the indicator lights flash white slowly.

➤ **On / Off:** Long press the on / off button for 2 seconds on / off, white light is on.

➤ **Automatic re-connection:** The microphone has been paired successfully and has memory function. When you use it next time, microphone (TX) and receiver (RX) can be reconnected automatically;

- Transmitter (TX) and receiver (RX) are disconnected when exceed the connectable range, they will automatically reconnected when re-entering the connectable range.

- Re-connection: slow flash of white light; Connected: white light normally on.

➤ **Mute:**

- The on / off button of microphone (TX) is provided with mute function. You can short press the on / off button to enter mute function;

- To disenable the mute function, you can short press the on/off button again.

➤ **Gain Adjustment:**

- Adjust the gain through the TX "+" button, the white light flashing times show the gain adjustment levels, flashing once for the first level, flashing twice for the second level; flashing three times for the third level; flashing four times for the fourth level; flashing five times for the fifth level.

2. Charging

- When you put the TX / RX in the charging case and the red light is normally on, it indicates that it is being charged. If the red light is off, it indicates that the charging is completed.

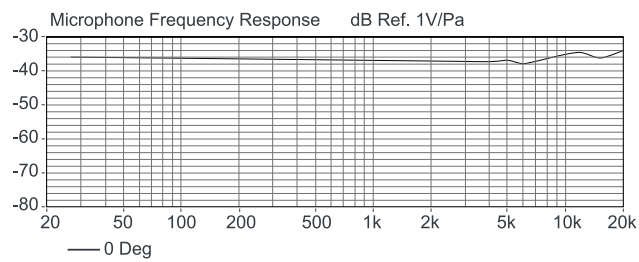
- There are four LED lights on the charging case for indicating the current electric quantity of the charging case. If one LED light of the charging case is normally on, it indicates 25% electric quantity. If two LED lights are normally on, it indicates 50% electric quantity. If three LED lights are normally on, it indicates 75% electric quantity. If four LED lights are normally on, it indicates 100% electric quantity.

Product Specification

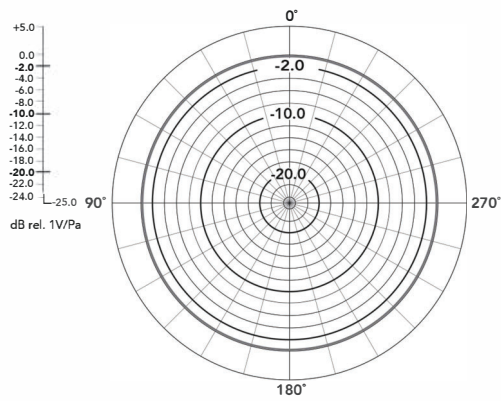
Product Parameters

Wireless band	2.4G
Pickup mode	Omni-directional
Frequency response	20Hz ~ 20kHz
THD	<0.15%
Signal to noise ratio	≥65dB
Sampling rate	48kHz
Bit	16 bit
Microphone Sensitivity	-38 ± 3dB (0dB=1V / Pa,at 1kHz)
Wireless distance	100m at maximum (no obstacles)
Endurance time	5 hours for using TX / RX one time 20 hours for using in combination with the charging base
Port of charging case	USB-C
Battery specification	TX: 100mAh 3.7V 0.37Wh
	RX: 150mAh 3.7V 0.555Wh
	Charging base: 1300mAh 3.7V 4.81Wh
Charging time	TX: 1h
	RX: 1.5h
	Charging Case: 2.5h

Frequency Response



Directionality



FCC Caution:

Any changes or modifications not expressly approved by the party responsible for compliance could void the user's authority to operate this equipment.

This device complies with Part 15 of the FCC Rules. Operation is subject to the following two conditions:

- (1) This device may not cause harmful interference, and
- (2) this device must accept any interference received, including interference that may cause undesired operation.

This device and its antenna(s) must not be co-located or operating in conjunction with any other antenna or transmitter.

NOTE:

This equipment has been tested and found to comply with the limits for a Class B digital device, pursuant to Part 15 of the FCC Rules.

These limits are designed to provide reasonable protection against harmful interference in a residential installation. This equipment generates, uses and can radiate radio frequency energy and, if not installed and used in accordance with the instructions, may cause harmful interference to radio communications.

However, there is no guarantee that interference will not occur in a particular installation.

If this equipment does cause harmful interference to radio or television reception, which can be determined by turning the equipment off and on, the user is encouraged to try to correct the interference by one or more of the following measures:

- Reorient or relocate the receiving antenna.
- Increase the separation between the equipment and receiver.
- Connect the equipment into an outlet on a circuit different from that to which the receiver is connected.
- Consult the dealer or an experienced radio/TV technician for help.

The device has been evaluated to meet general RF exposure requirement. The device can be used in portable exposure condition without restriction.

FCC ID: 2AZWI-3493LEQI

Service Warranty

Please keep your original purchase receipt and warranty card, including your purchase date, product serial number, etc., which are required for the warranty service.

After-sale Warranty Terms

1. 7 Days DOA Return Policy: Within 7 days from the package receipt date, return or replacement can be done if the item received is malfunctioning or physically damaged (non-artificial damage), return shipping cost will be on SmallRig's charge.
2. 1-Year Warranty: Within 1-year from the package receipt date, the defective product (non-artificial damage) is eligible to get repair / replacement for free. The defective product (artificial damage) will be charged for repairing / replacement based on the damage level.

This Warranty Does Not Cover

1. Defect caused by users' violation of the "Warnings" and "Intended Use".
2. The product identification or SN label is removed or defaced in any way.
3. The product is serviced or repaired by anyone other than our company or the service agency authorized by our company.

Guarantee Card

Serial No.	
Item Name	
Purchase Date	
User Name	
Mobile	
Address	
Receipt	



FC FCC ID: 2AZWI-3493LEQ1
IC: 27649-3493LEQ1

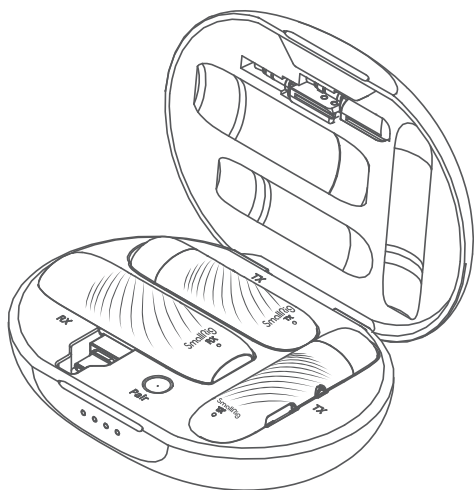
www.smallrig.com

Made in China

Manufacturer: Shenzhen Leqi Network Technology Co., Ltd.

Add: 1st Floor, Building 9, Yazhou Industrial Park, Bantian,
Longgang, Shenzhen, Guangdong, China.

SmallRig



Wave W2-L

无线领夹麦克风

用户手册

Small Rig · Big Dream

您好!

感谢您购买SmallRig Wave W2-L。这是一款品质优良的无线领夹麦克风，专为需要广播质量的播客、vlogger、游戏直播和配音工作而设计。Wave W2-L 采用低延迟音频无线传输技术，具有出色的音质，其紧凑简约的设计，优质的表面处理，适配iPhone系列手机*。即插即用，满足您的即时录音需求。Wave W2-L 采用可换插头 (TRS / TRRS / Lightning) 设计，具有增益调节和麦克风静音控制功能，可为您的录音带来高品质的声音体验。

重要提示

- 请认真阅读用户手册。
- 请勿在水中使用本产品。
- 本产品内部含有电子元件，需注意不要高处跌落或强烈撞击。
- 请勿在完全封闭的环境下使用，否则可能使产品内部温度升高而导致产品故障、起火或发生意外事故。
- 本产品含有内置式不可拆卸锂电池，严禁擅自拆机。
- 本产品长时间储存不用时，应在6个月内进行一次充放电维护，并恢复60%左右的带电量，以延长电池的使用寿命。
- 本产品内部有少许有害物质，请勿任意丢弃，请将损坏或是不再使用的产品，依照废弃物管理办法回收处理。
- 本产品不用时，应将其存放在干燥清洁处，避免高温、高湿及强磁场的场所存放或使用。

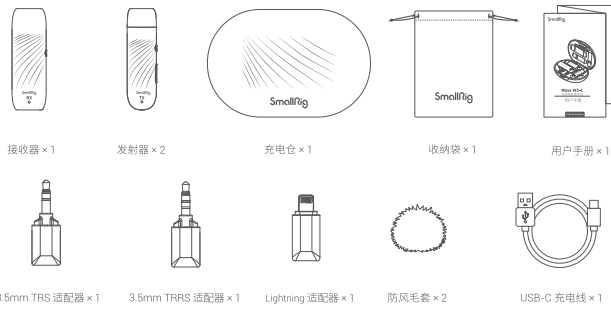


请勿拆卸产品或更换电池，如您怀疑产品有任何问题，请联系购买平台，申请售后处理。

设备使用规范

- 请仔细阅读用户手册，特别是“重要提示”部分。
- 请在用户手册规定的环境条件下使用或保存本产品。
- 如不按照用户手册使用产品，或不遵守规定的工作和保存条件，将被视为违规使用。

包装清单



接收器 × 1

发射器 × 2

充电仓 × 1

收纳袋 × 1

用户手册 × 1

3.5mm TRS 适配器 × 1

3.5mm TRRS 适配器 × 1

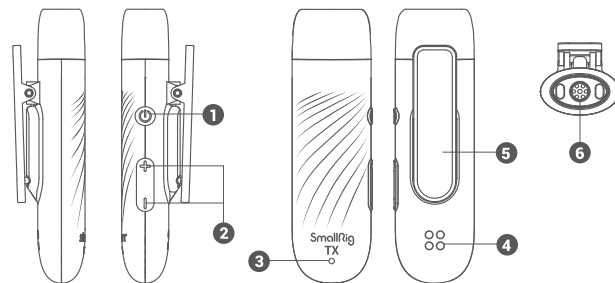
Lightning 适配器 × 1

防风毛套 × 2

USB-C 充电线 × 1

产品详情

发射器



① 开 / 关键

② "+" 麦克风增益调节按键

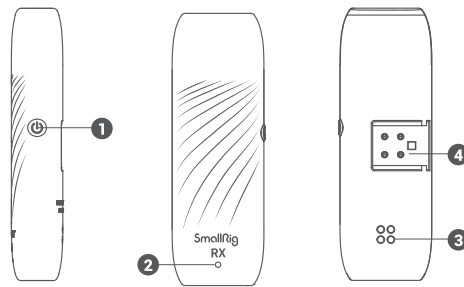
③ LED 指示灯

④ 充电触点

⑤ 领夹

⑥ 麦克风拾音孔

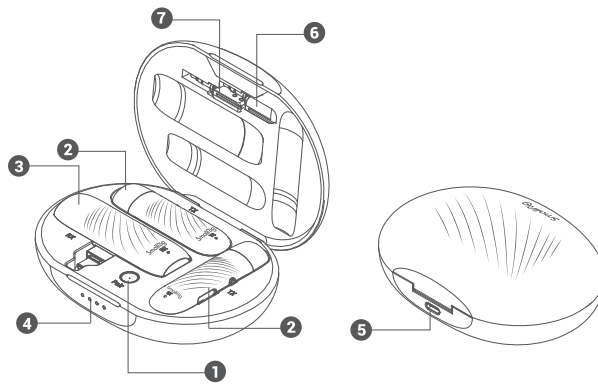
接收器



- ① 开 / 关键
- ② LED 指示灯

- ③ 充电触点
- ④ 适配接口

充电仓



- ① 配对按键
- ② 发射器 (TX)
- ③ 接收器 (RX)

- ④ LED 指示灯
- ⑤ USB-C 充电口
- ⑥ 3.5mm TRS 适配器
- ⑦ 3.5mm TRRS 适配器

产品操作

1. 产品配对及使用

此款智能麦克风TX和接收器RX出厂时已进行配对,从充电盒取出后把RX插入手机等设备, TX自动开机及配对连接。

➤ **使用:**取出麦克风(TX),夹在领口上,取出接收器,插入设备对应的接口,即可开始使用;

➤ **手动配对:**发射器与接收器的配对均通过按充电盒上Pair键五秒进行配对,配对成功后白灯快闪3下,代表配对成功;配对成功的发射器/接收器在工作时电源指示灯常亮,未配对的发射器/接收器在工作时电源指示灯状态为白灯慢闪;

➤ **开/关机:**长按开/关机键2秒开/关机,产品亮白灯;

➤ **自动回连:**该产品出厂时已配对成功且有记忆功能,下次开机使用时,发射器TX与接收器RX可自动回连;

- 发射器与接收器超出可连接范围断连后,重新进入可连接范围后自动进入回连;
- 回连:白灯缓慢闪烁,已连接:白灯常亮

➤ **静音:**

- 发射器(TX)上的开关键带静音功能,短按开关键,进入静音功能;
- 再次短按开关键,解除静音功能。

➤ **增益调节:**

通过TX的增益加减键调节增益,白灯闪烁次数显示增益调节档位,闪一次代表第一档,闪二次代表第二档;闪三次代表第三档;闪四次代表第四档;闪五次代表第五档。

2. 充电

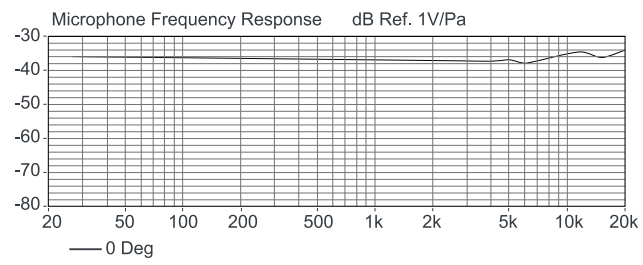
- 将TX/RX放入充电仓,红灯长亮表示正在充电,红灯熄灭表示充电完成;
- 充电仓上有四颗LED灯用于指示充电仓电量,一颗LED灯长亮表示25%电量,两颗长亮表示50%电量,三颗白灯长亮表示75%电量,四颗白灯长亮表示100%电量。

产品规格

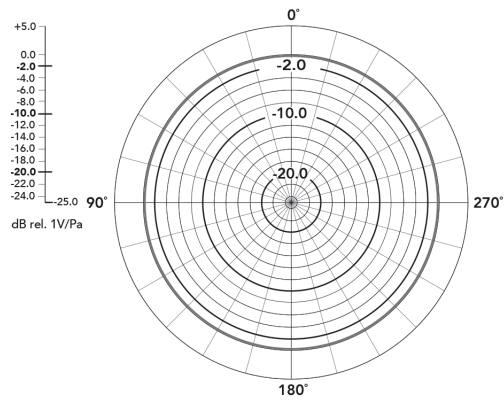
产品参数

无线频段	2.4G
拾音模式	全指向
频率响应	20Hz ~ 20kHz
失真度	<0.15%
信噪比	≥65dB
采样率	48kHz
采样位深	16 位
拾音头灵敏度	-38 ± 3dB (0dB=1V / Pa,at 1kHz)
无线距离	最高100米范围(无任何障碍环境)
续航时间	发射器TX / 接收器RX 单次使用5小时 配合充电仓使用, 续航时间20小时
充电仓接口	USB-C
电池规格	发射器 TX: 100mAh 3.7V 0.37Wh
	接收器 RX: 150mAh 3.7V 0.555Wh
	充电仓 Charging base: 1300mAh 3.7V 4.81Wh
充电时间	发射器 TX: 1h
	接收器 RX: 1.5h
	充电仓: 2.5h

频率响应



指向性



保修条款

请保留您的原始购买单据及保修卡,同时包含您的购买日期、产品序列号等,这些资料质保服务时均需要提供。

售后质保条款

1. “七天无理由包退 / 换”:自签收之日起7日内,用户可以选择换货 / 退货。
2. “一年质保”:自签收之日起一年内,出现非人为产品故障,用户可以获得免费维修 / 换货;出现人为损坏,需要付费进行维修 / 换货。

质保无效说明

1. 当用户违反用户手册中“重要提示”“设备使用规范”任何一条导致的质量失效,不在质保范围。
2. 产品序列号标识已经被撕毁或无法辨识,不在质保范围。
3. 产品未经本公司或者指定授权维修公司检修及改装的,不在质保范围。

保修卡

产品编号	
产品名称	
购买日期	
用户姓名	
用户电话	
用户地址	
购买单据	



FCC FCC ID: 2AZWI-3493LEQI
IC: 27649-3493LEQI

www.smallrig.com

中国制造

制造商:深圳市乐其网络科技有限公司

地址:中国广东省深圳市龙岗区坂田亚洲工业园9栋1楼

版本	更新内容	更新日期
v0.0	量产文件	20220310

3494 用户手册

尺寸:156×93mm

材料:100g 书写纸 单色双面印刷
成本装袋,打两个骑马钉

ISED Statement

English: This device contains licence-exempt transmitter(s)/receiver(s) that comply with Innovation, Science and Economic Development Canada's licence-exempt RSS(s). Operation is subject to the following two conditions:

- (1) This device may not cause interference.
- (2) This device must accept any interference, including interference that may cause undesired operation of the device.

The digital apparatus complies with Canadian CAN ICES-3 (B)/NMB-3(B).

French: Cet appareil contient des émetteurs/récepteurs exempts de licence qui sont conformes aux RSS exemptés de licence d'Innovation, Sciences et Développement économique Canada.

L'exploitation est soumise aux deux conditions suivantes :

- (1) Cet appareil ne doit pas provoquer d'interférences.
- (2) Cet appareil doit accepter toute interférence, y compris les interférences susceptibles de provoquer un fonctionnement indésirable de l'appareil.

l'appareil numérique du ciem conforme canadien peut - 3 (b) / nmb - 3 (b).

This device meets the exemption from the routine evaluation limits in section 2.5 of RSS 102 and compliance with RSS

102 RF exposure, users can obtain Canadian information on RF exposure and compliance.

cet appareil est conforme à l'exemption des limites d'évaluation courante dans la section 2.5 du cnr - 102 et conformité

avec rss 102 de l'exposition aux rf, les utilisateurs peuvent obtenir des données canadiennes sur l'exposition aux champs

rf et la conformité.

The device has been evaluated to meet general RF exposure requirement. This equipment should be installed and operated

with minimum distance 0mm between the radiator & your body.

L'appareil a été évalué pour répondre aux exigences générales d'exposition aux RF. Cet équipement doit être installé et

utilisé avec une distance minimale de 0 mm entre le radiateur et votre corps.