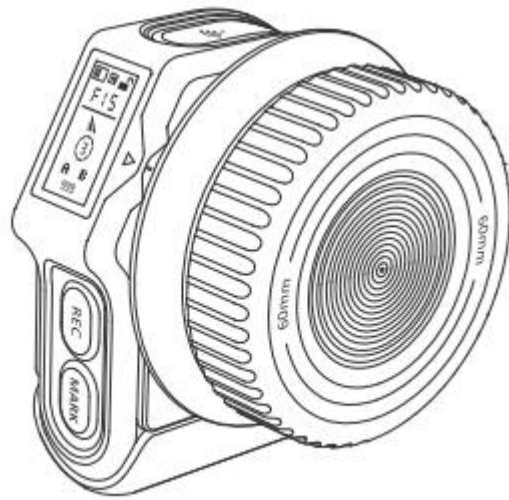


SmallRig



Wireless Handwheel Controller 3262 Manual

In order to ensure the safety of users and prevent product damage caused by improper use, please carefully read the "Important Notes" in this manual before use, And keep the manual properly for future reference

Important Tips

Please read this user manual carefully.

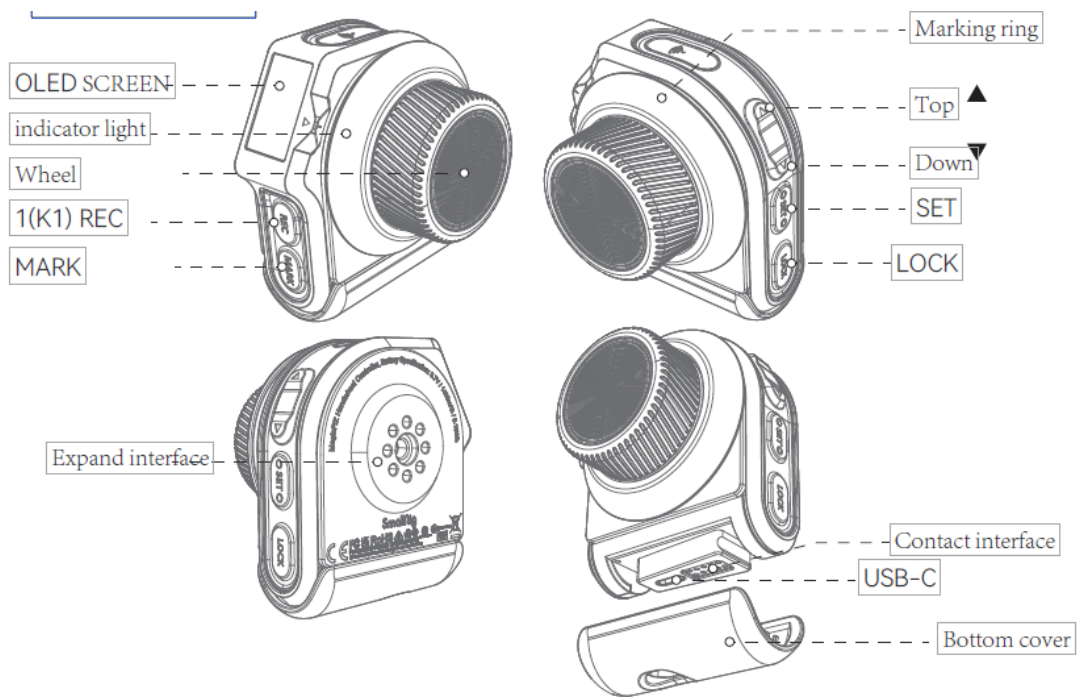
Please do not use it in water. This product does not have the function of dustproof and waterproof.

Please avoid strong extrusion or impact on the product.

This product contains a built-in non removable lithium battery. It is strictly prohibited to disassemble the machine without authorization.

There are a few harmful substances in the battery. Please do not discard them at will. Please recycle the damaged or unused products according to the waste management method.

Do not disassemble the product or replace the battery. If you suspect that there is any problem with the product, please contact the purchase platform, Apply for after-sales treatment.



REC key: 1. Start and stop REC recording; 2. On/off function.

MARK key:1. AB management; 2. Automatic calibration of lens travel.

Up/Down:1. Frequency band adjustment; 2. Motor number adjustment; 3. Turn pages up and down. SET key:

SET key:1. Press and hold to enter or exit the current option; 2. Click to activate or confirm the current option.

LOCK key: to prevent misoperation, double click to open/close the lock.

Wheel 1 (K1): finely control the focusing motor.

Indicator light:Red green blue yellow pink white six color light display.

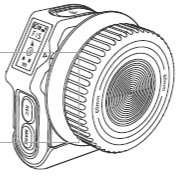
USB-C interface:Charging and wired communication ports.

Contact interface:Charging and communication ports.

Expansion interface: 1/4 "- 20 thread interface.

Marking ring: replaceable.

Specifications and parameters

Wireless Handwheel Controller		Screen size	OLED 0.96"
		Battery specifications	3.7V / 1400mAh / 5.18Wh
		Full battery life	20h
		Input	5V ~ 12V
		Operating current	0.14A
		Communication frequency band	F00 ~ F15
		Maximum transmission distance	≤100m
		working frequency	2.4000 ~ 2.4835 GHz

CE RoHS

UK CA

FC



FCC ID: 2AZWI-3262LEQI
IC: 27649-3262LEQI



219-229197



株式会社成洋



www.smallrig.com

Made in China | 中国制造

Manufacturer: Shenzhen Leqi Network Technology Co., Ltd.

制造商: 深圳市乐其网络科技有限公司

Add: Rooms 103, 501 and 601, Building 5, Fenghe Industrial Park,
Nos. 1301-50 Guanguang Road, Longhua District, Shenzhen, Guangdong, China.

地址: 中国广东省深圳市龙华区观澜街道新澜社区观光路 1301-50 号

丰和工业园厂房 5 栋 103、501、601

FCC Statement

This equipment has been tested and found to comply with the limits for a Class B digital device, pursuant to part 15 of the FCC rules. These limits are designed to provide reasonable protection against harmful interference in a residential installation. This equipment generates, uses and can radiate radio frequency energy and, if not installed and used in accordance with the instructions, may cause harmful interference to radio communications. However, there is no guarantee that interference will not occur in a particular installation. If this equipment does cause harmful interference to radio or television reception, which can be determined by turning the equipment off and on, the user is encouraged to try to correct the interference by one or more of the following measures:

- Reorient or relocate the receiving antenna.
- Increase the separation between the equipment and receiver.
- Connect the equipment into an outlet on a circuit different from that to which the receiver is connected.
- Consult the dealer or an experienced radio/TV technician for help.

To assure continued compliance, any changes or modifications not expressly approved by the party.

Responsible for compliance could void the user's authority to operate this equipment. (Example- use only shielded interface cables when connecting to computer or peripheral devices).

This equipment complies with Part 15 of the FCC Rules. Operation is subject to the following two conditions:

- (1) This device may not cause harmful interference, and
- (2) This device must accept any interference received, including interference that may cause undesired operation.

RF warning statement:

The device has been evaluated to meet general RF exposure requirement. The device can be used in portable exposure condition without restriction.

IC Warning

English: This device complies with Part 15 of the FCC Rules [and contains license-exempt transmitter(s)/receiver(s) that comply with Innovation, Science and Economic Development Canada's licence-exempt RSS standard(s)]. Operation is subject to the following two conditions: (1) this device may not cause harmful interference, and (2) this device must accept any interference received, including interference that may cause undesired operation.

The digital apparatus complies with Canadian CAN ICES-3 (B)/NMB-3(B).

French: L'émetteur/récepteur exempt de licence contenu dans le présent appareil est conforme aux CNR d'Innovation, Sciences et Développement économique Canada applicables aux appareils radio exempts de licence. L'exploitation est autorisée aux deux conditions suivantes:

- (1) l'appareil ne doit pas produire de brouillage, et
- (2) l'appareil doit accepter tout brouillage radioélectrique subi, même si le brouillage est susceptible d'en compromettre le fonctionnement.

L'appareil numérique du ciem conforme canadien peut - 3 (b) / nmb - 3 (b).

This device meets the exemption from the routine evaluation limits in section 2.5 of RSS 102 and compliance with RSS 102 RF exposure, users can obtain Canadian information on RF exposure and compliance.

cet appareil est conforme à l'exemption des limites d'évaluation courante dans la section 2.5 du cnr - 102 et conformité avec rss 102 de l'exposition aux rf, les utilisateurs peuvent obtenir des données canadiennes sur l'exposition aux champs rf et la conformité.

This equipment complies with Canada radiation exposure limits set forth for an uncontrolled environment.

Cet équipement est conforme aux limites d'exposition aux rayonnements du Canada établies pour un environnement non contrôlé.

RF Exposure Statement

The device has been evaluated to meet general RF exposure requirement.

The device can be used in portable exposure condition without restriction.

L'appareil a été évalué pour répondre aux exigences générales d'exposition aux radiofréquences. L'appareil peut être utilisé en condition d'exposition portable sans restriction.