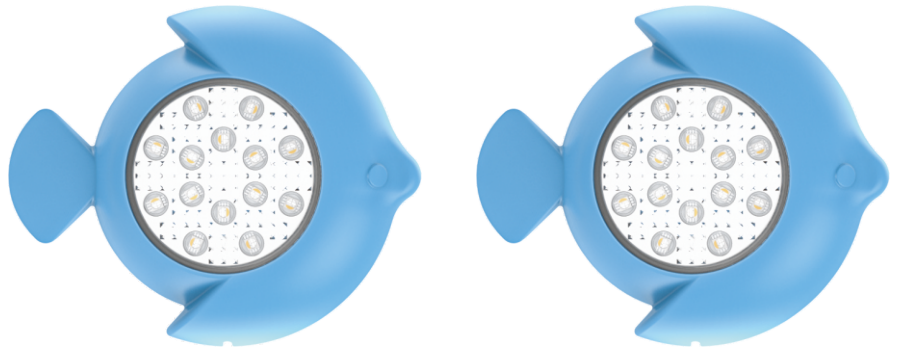


Solar Pool Light

(Model:CM-YCD02-01)

Pool Light Specifications:

Material: ABS+PC
 Dimensions:7.3*6*1 Inches
 Luminance :60 LM
 Waterproof: IP68
 Control Type: Remote Controls
 Color Temperature: RGB-White





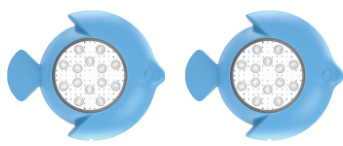

Solar Panel Specifications:


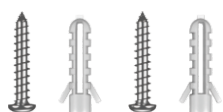
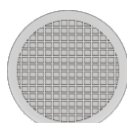

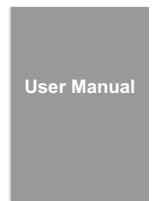
Solar Panel Type: Monocrystal Silicon Solar Panel
 Dimensions:7.4*5 Inches
 Solar Photovoltaic Power: 3.5W
 Controller Output Power: 1.5W
 Battery Capacity: 4000mAh(18650 Battery)
 Output Voltages: 4.1V
 Output Current: 400MA
 Charge Time: 5-6Hours
 Work Time: 8-10Hours



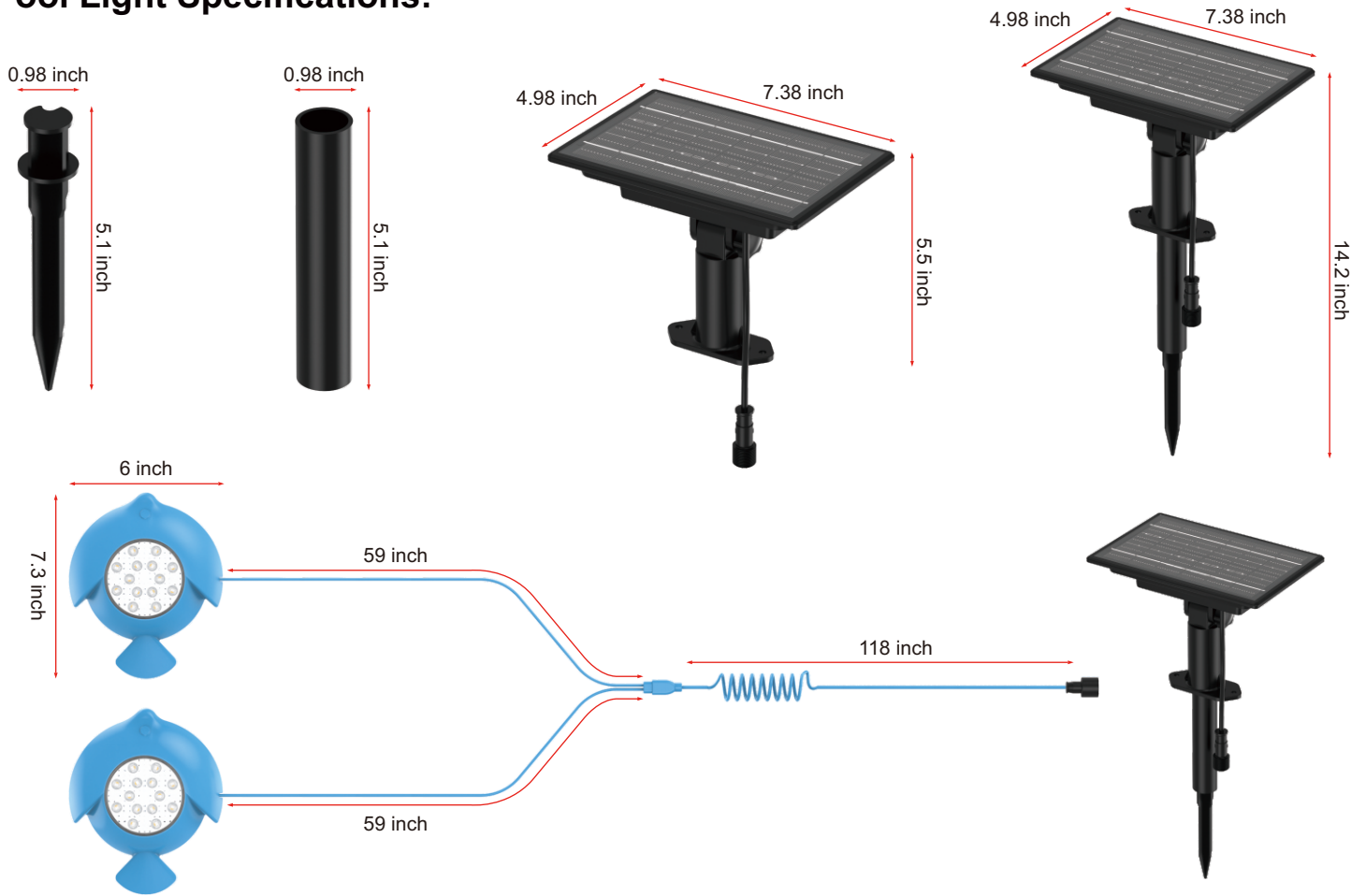
Packages Include:

(The items included in the package depend on the pack you purchase.)

			
1 x Ground Stake	1 x Ground Stake Tube	1 x Double Head Lamp	1 x Remote Control

				
1 x Solar Panel	2 x Expansion Screw	2 x Magnetic Sheet	1 x Fixing Glue	1 x User Manual

Pool Light Specifications:

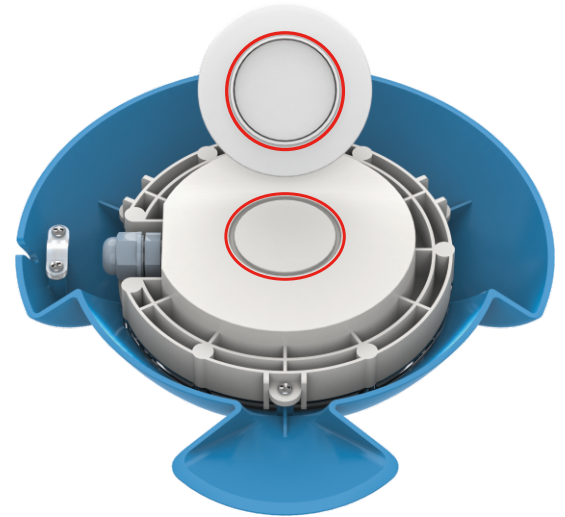


Installation Methods:

Lamps can be magnetized directly, or used with special glue.

Installation Notes:

Use special glue to stick the magnetic mounting plate onto the swimming pool wall. Wait for 5 minutes, then clip the light onto the magnetic mounting plate. Make sure to align the groove on the light with the protrusion on the magnetic mounting plate to ensure a secure connection.



Getting Started

1. After the installation is completed, first press the ON/OFF button on the solar panel.
2. Unplug the plastic tabs from the remote control and you're ready to go!
3. You can also directly on the solar panel to switch the mode and color temperature.

ON/OFF Button:

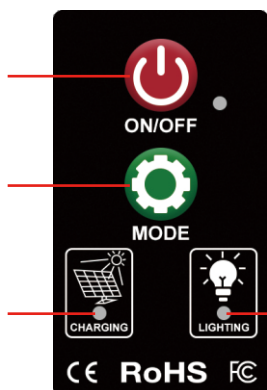
Click to turn on or off

MODE Button:

Switching modes and color temperatures

CHARGING:

Lights up when external type-C charging



LIGHTING:

Charging completed



Note:

When the weather is cloudy and rainy, you can directly use the type-C port for charging

Remote Control Functions

Picture		Number	Functions
		1	Turn OFF
		2	2 hours timer
		3	4 hours timer
		4	6 hours timer
		5	8 hours timer
		6	Red
		7	Green
		8	Orange
		9	Yellow
		10	Purple
		11	White
		12	Breath
		13	Flash
		14	Color Cycle Breath
		15	Turn ON
16	Speed Up	20	Auto
17	Speed Down	21	Fade
18	Blue	22	Color Cycle Fade
19	Pink	23	Color Cycle Flash

Product Suggestions:

Different sizes of pools with different numbers of pool lights to achieve the best use of results
Recommended Scenarios: Above Ground Pool

Pool size	Recommended lights	2in1
8'	1set	1
10'	2set	2
12'	2set	2
15'	2set	2
18'	4set	4

Tips About Pool Light:

1. This product is recommended to use a depth of not more than 1M.
2. This product can be used in outdoor swimming pools, simple swimming pools, fish tanks that are easy to place this product, park pools, or aquariums. However, it is not suitable for sauna pools, hot tubs, and other pools with high water temperatures.
3. Don't pull the cable, or shake the lamp head, drop it, and do other actions that affect the waterproof performance.
4. When not in use for a long time, please remove the product from water and store it in a cool and dry place.
5. The lamp head part should not be exposed to the sun for a long time.
6. The solar controller part should not be immersed in water
7. Contains small parts, avoid swallowing by children, please store it out of their reach.
8. There is a risk of waterproof failure if the product is disassembled privately.

After-sales Service Guarantee

A 12-month warranty is provided for this product from the date of purchase. If you have any questions during the warranty period, please feel free to email us at support@asokoled.com or contact us directly on Amazon with the order ID and relevant images attached.

Warning:

This device complies with part 15 of the FCC Rules. Operation is subject to the following two conditions:

- (1) This device may not cause harmful interference, and
- (2) this device must accept any interference received, including interference that may cause undesired operation.

Any changes or modifications not expressly approved by the party responsible for compliance could void the user's authority to operate the equipment.

NOTE:

This equipment has been tested and found to comply with the limits for a Class B digital device, pursuant to Part 15 of the FCC Rules.

These limits are designed to provide reasonable protection against harmful interference in a residential installation. This equipment generates, uses and can radiate radio frequency energy and, if not installed and used in accordance with the instructions, may cause harmful interference to radio communications.

However, there is no guarantee that interference will not occur in a particular installation.

If this equipment does cause harmful interference to radio or television reception, which can be determined by turning the equipment off and on, the user is encouraged to try to correct the interference by one or more of the following

measures:

- Reorient or relocate the receiving antenna.
- Increase the separation between the equipment and receiver.
- Connect the equipment into an outlet on a circuit different from that to which the receiver is connected.
- Consult the dealer or an experienced radio/TV technician for help.

The device has been evaluated to meet general RF exposure requirement.

The device can be used in portable exposure condition without restriction.

Manufacturer : Shenzhen CMS Optoelectronics Technology Co., Ltd.

Address : 301-201, Building 1, No.8 Yanshan Avenue, Yanchuan Community,
Yanluo Street, Baoan District, Shenzhen

Company sales service:

Email: support@asokoled.com

Tel: **888-886-9874**

Available Time: Mon-Fri 9AM-5PM(PST)

