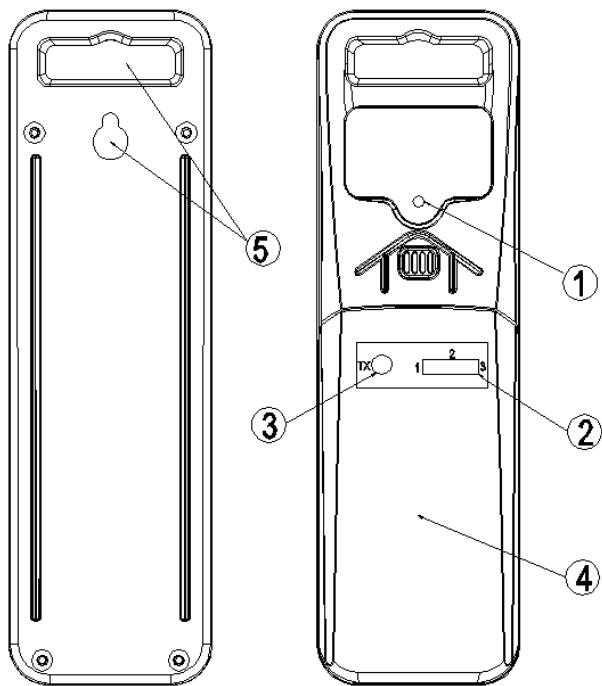


BJ603B Wireless Transmitter



1	Red pilot light
2	Sliding switch 1 2 3: Set sensor number (transmission channel)
3	switch button: TX
4	Battery compartment
5	Loop for hanging

1. Remove the battery compartment cover on the front of the wireless sensor.

2. Insert 2 LR6 (AA) / 1.5 V batteries (not included) facing in the direction indicated on the bottom of the battery compartment. Make sure that the poles of the batteries are correct (+/-). As soon as the wireless sensor is receiving power, the red pilot light will light up and thus display that data is being transmitted to the base unit.

3. Put the battery compartment cover back in place.

- Do not use batteries that have a voltage that is too low (only 1.2 V instead of 1.5 V). This affects the accuracy of the measurements, among other things.

- If possible, use alkaline batteries instead of zinc-carbon

batteries. Alkaline batteries last longer, particularly outside in low temperatures.

4.FCC STATEMENT

- 1) . This device complies with Part 15 of the FCC Rules. Operation is subject to the following two conditions: (1) This device may not cause harmful interference, and (2) This device must accept any interference received, including interference that may cause undesired operation.
- 2) . Changes or modifications not expressly approved by the party responsible for compliance could void the user's authority to operate the equipment.

This equipment has been tested and found to comply with the limits for a Class B digital device, pursuant to part 15 of the FCC Rules. These limits are designed to provide reasonable protection against harmful interference in a residential installation. This equipment generates, uses and can radiate radio frequency energy and, if not installed and used in accordance with the instructions, may cause harmful interference to radio

communications. However, there is no guarantee that interference will not occur in a particular installation. If this equipment does cause harmful interference to radio or television reception, which can be determined by turning the equipment off and on, the user is encouraged to try to correct the interference by one or more of the following measures:

- Reorient or relocate the receiving antenna.
- Increase the separation between the equipment and receiver.
- Connect the equipment into an outlet on a circuit different from that to which the receiver is connected.
- Consult the dealer or an experienced radio/ TV technician for help.

FCC Radiation Exposure Statement:

The device has been evaluated to meet general RF exposure requirement. The device can be used in portable exposure condition without restriction.