

COMICA
PROFESSIONAL AUDIO EQUIPMENT

CVM-W550

UHF 6-channels Mini & Flexible Wireless Microphone



USER MANUAL

Specification

Lavalier Transmitter (TX) :

Channels	6
Wireless Frequency	520.00MHz ~ 526.00MHz

Receiver (RX):

Channels	6
Wireless Frequency	520.00MHz ~ 526.00MHz

Foreword

Thank you for purchasing Comica CVM-WS50

Main Features

- . 6 Channels, Working Distance Up to 60m (Open Area)
- . Built-in Rechargeable Lithium Battery and Metal Smartphone Holder
- . LCD Screen for Displaying Channels and Audio Status
- . Stepless Volume Adjustment, Real-time Audio Monitor
- . Extendable for Connection with LED Light, Grip, Tripod, Cold-shoe, etc.

Notice

- . For devices with USB interface, please purchase the relevant adapter by yourself
- . For the smartphones with Android system, this Mic works well in audio mode, it may not be compatible with partial smartphones in video mode(Then we suggest you to try the 3rd party APP, such as Filmic Pro, Proshot, ect.)
- . For smartphones with iOS system, this Mic works well either in audio or video mode
- . The working distance will be affected by the surrounding environment. Please try to keep the environment open and undisturbed during use
- . The receiver should not be close to other UHF transmitters, radio stations and other interference devices when using

Packing List

Main Body:



Lavalier Transmitter (TX)

①



Receiver (RX)

②



Electronic Grip

③



Ordinary Grip

④



Tripod on Table

⑤

Purchase Options:

WS50(A)=



TX



RX

+



Electronic Grip

WS50(C)=



TX

+



RX

+



Tripod on Table

WS50(B)=



TX

+



RX

+



Ordinary Grip

Accessories:

1. 3.5mm Audio Mic
2. TRS-TRRS Audio Output Cable
3. Micro USB Charging Cable
4. Belt Clip
5. Wind Muff
6. Portable Case
7. User Manual
8. Warranty Card



①



②



③



④



⑤



⑥



⑦



⑧

The accessories of each combination include:

WS50(A)= ① + ② + ③ + ④ + ⑤ + ⑥ + ⑦ + ⑧

WS50(B)= ① + ② + ③ + ④ + ⑤ + ⑥ + ⑦ + ⑧

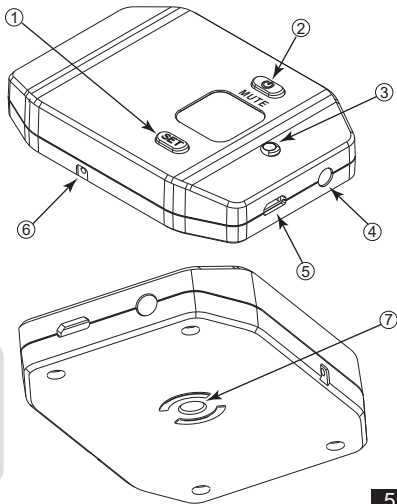
WS50(C)= ① + ② + ③ + ④ + ⑤ + ⑥ + ⑦ + ⑧


Components and Instruction

Components

Lavalier Transmitter(TX)

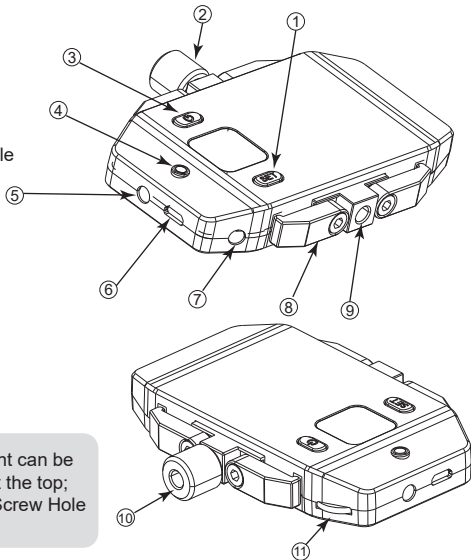
- 1.Set Button
- 2.On-off/Muting Button
- 3.Working Status Indicator Light
- 4.Mic/LINE Input Socket/ Reset Hole
- 5.Micro USB Charging Socket
- 6.Belt Clip Hole
- 7.1/4 Mounting Hole



 **Reset Hole:** When the product function program is disordered and cannot be adjusted normally or even shut down, you can use appropriate tool to insert the reset hole to realize the function reset

Receiver (RX)

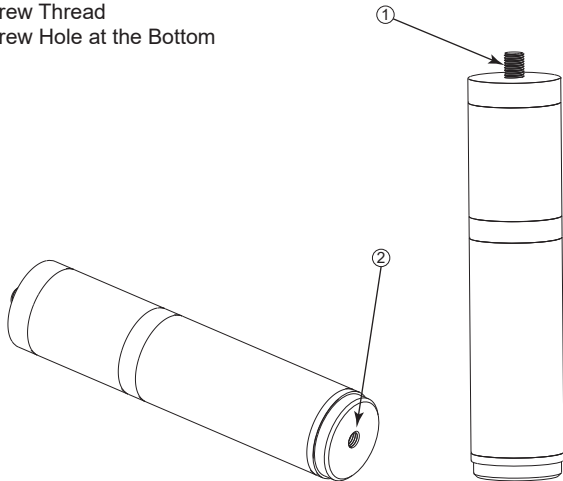
- 1.Set Button
- 2.Adjusting Screw
- 3.On/Off Button
- 4.Working Status Indicator Light
- 5.3.5mm Audio Output Socket/Reset Hole
- 6.Micro USB Charging Socket
- 7.3.5mm Monitoring Socket
- 8.Smartphone Clamp
- 9.1/4 Screw Hole at the bottom
- 10.1/4 Screw Hole at the top
- 11.Volume Adjusting Button



☞ External light and other equipment can be connected with 1/4 Screw Hole at the top; Grip can be connected with 1/4 Screw Hole at the bottom.

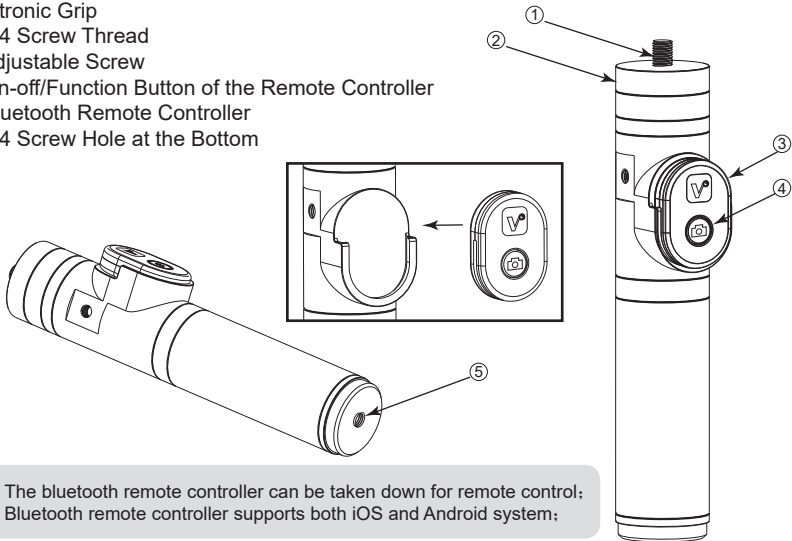
Ordinary Grip

1. 1/4 Screw Thread
2. 1/4 Screw Hole at the Bottom



Electronic Grip

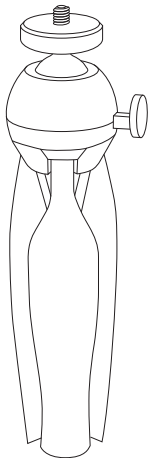
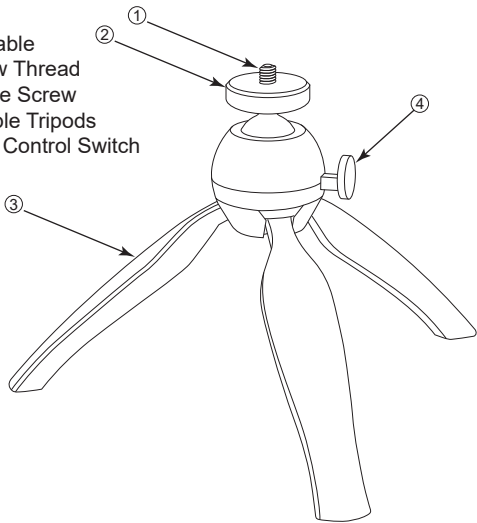
1. 1/4 Screw Thread
2. Adjustable Screw
3. On-off/Function Button of the Remote Controller
4. Bluetooth Remote Controller
5. 1/4 Screw Hole at the Bottom



The bluetooth remote controller can be taken down for remote control;
Bluetooth remote controller supports both iOS and Android system;

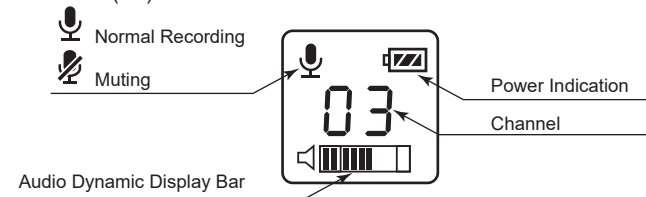
Tripod on Table

1. 1/4 Screw Thread
2. Adjustable Screw
3. Stretchable Tripods
4. Direction Control Switch

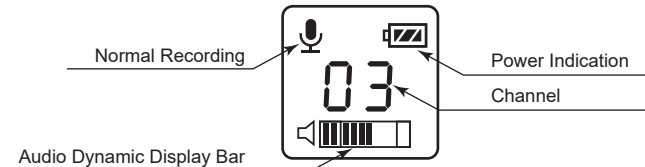


Screen Display Instruction




Lavalier Transmitter(TX):








Receiver (RX):



Function Button Instruction

Lavalier Transmitter	 On-off/Muting Button	Long Press	Power On/Off
		Short Press	Muting Mode (It is available only when the screen is lighted up)
	 Set Button	Short Press	Channel Selection (It is available only when the screen is lighted up)
	 MIC / LINE Reset MIC/LINE Input/ Reset Hole	Audio Recording/ Reset	Insert the Mic line for audio recording/ Insert a small object like a pin for reset

Receiver	 On-off Button	Long Press	Power On/Off
	 Set Button	Short Press	Channel Selection (It is available only when the screen is lighted up)
	 Audio Output/ Reset Hole	Audio Output/ Reset	Insert the Mic line for audio output / Insert a small object like a pin for reset
	 Volume Adjustment Wheel	Dial the wheel to the left/right	Volume Adjustment
Electronic Grip	 On-off Button	Long Press for 2 Seconds	Power On
		Short Press	In photo mode, press for photo shooting; In video recording mode, first press to start, press again to finish
	Matched with the Smartphone	Long Press for 2 Seconds	Continuous Capture for 3 Seconds
		Long Press for 6 Seconds	Reset to default, can be matched with different smartphone
	No Operation	10 minutes later	Auto Power-Off

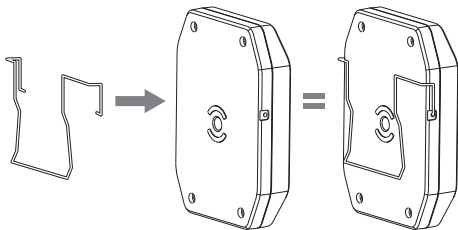
Indicator Light Instruction

Lavalier Transmitter	Green Light Keeps On	Normal Working Status
	Red Light Keeps On	Muting Mode
	Red Light Flickers	Low-power reminder
Receiver	Green Light Flickers	Channel doesn't match with the transmitter
	Green Light Keeps On	Channels matches
	Red Light Flickers	Low-power reminder
Electronic Grip	Blue Light Flickers (After the grip turned on)	Grip doesn't match with the smartphone
	Green Light Flickers	Taking pictures/Video Recording

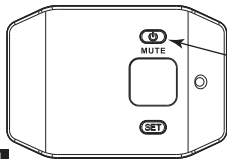
Installation and Usage

Lavalier Transmitter(TX):

1.Connect the belt clip to the connection hole



2.Long press the power button to turn on the Lavalier Transmitter

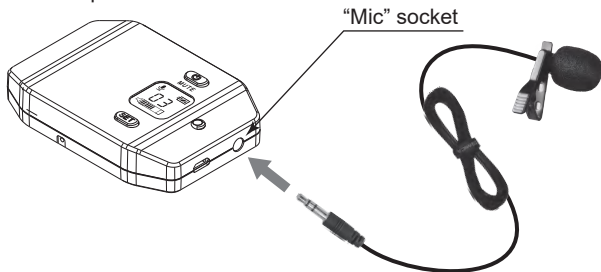


Power/Muting Button



According to different environment you could short press 'Power/Muting Button' to enter the MUTE mode.

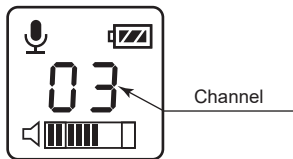
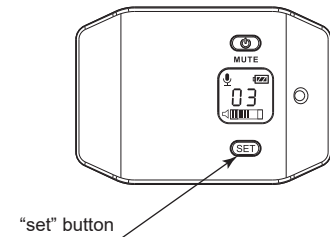
3. Insert the 3.5mm audio input cable into the "Mic" socket



4. Target the Mic to the audio source and check whether the Lavalier Transmitter is working properly according to the audio display bar on the screen

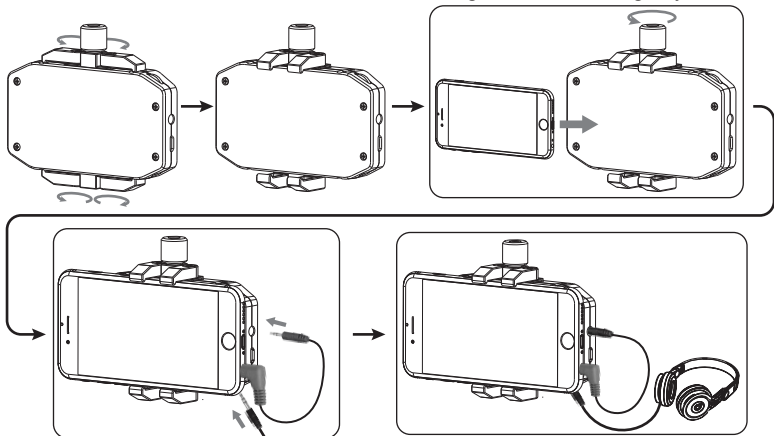


5. Short press set button to select the channel

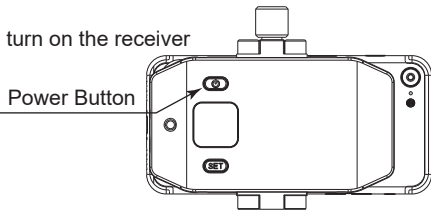


Receiver (RX):

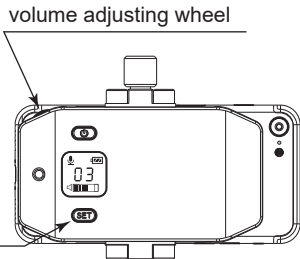
1. Rotate the four clamps, then adjust the screw to appropriate height, install the phone in the neutral position; connect one end (black) of the audio output cable to OUTPUT socket, the other end (gray TRRS) to mobile phone audio input socket; A 3.5mm headset can be inserted in real-time monitoring socket according to your need



2. Long press the power button to turn on the receiver



3. Short press set button to make channel consistent with the transmitter, and adjust the volume to the optimal status through the volume adjusting wheel



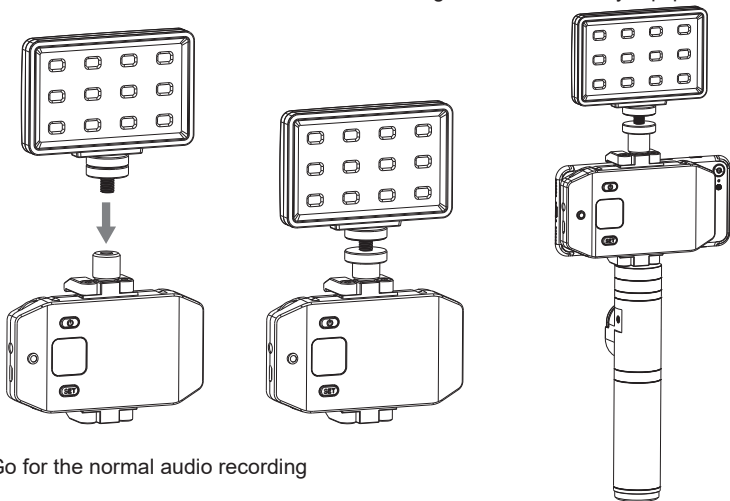
Transmitter Channel



Receiver Channel

👉 When the channel become same, the green light will keeps on.

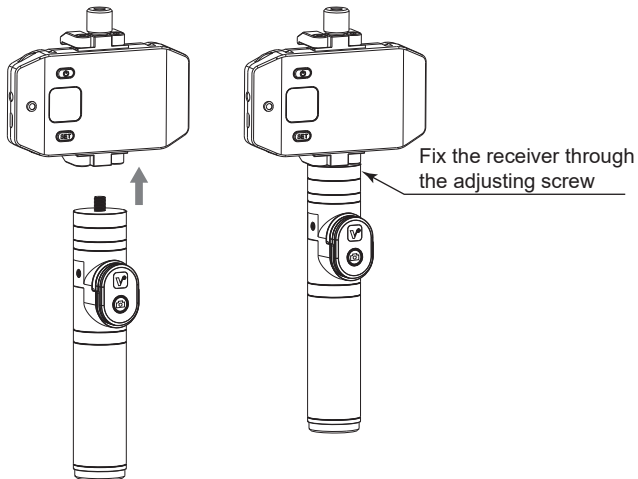
4. It can be extendable for connection with LED light or other auxiliary equipment



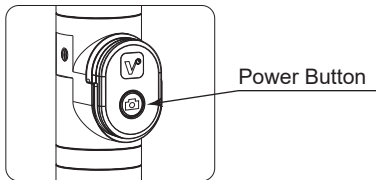
5. Go for the normal audio recording

Electronic Grip:

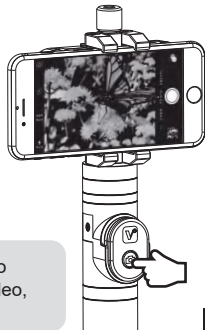
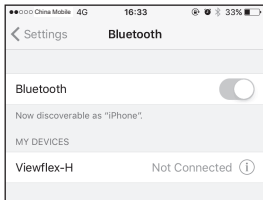
1. Connect the 1/4 screw thread of the electronic grip to the 1/4 screw hole of the receiver, then fix the receiver through the adjusting screw



2. Long press the power button to turn on the grip



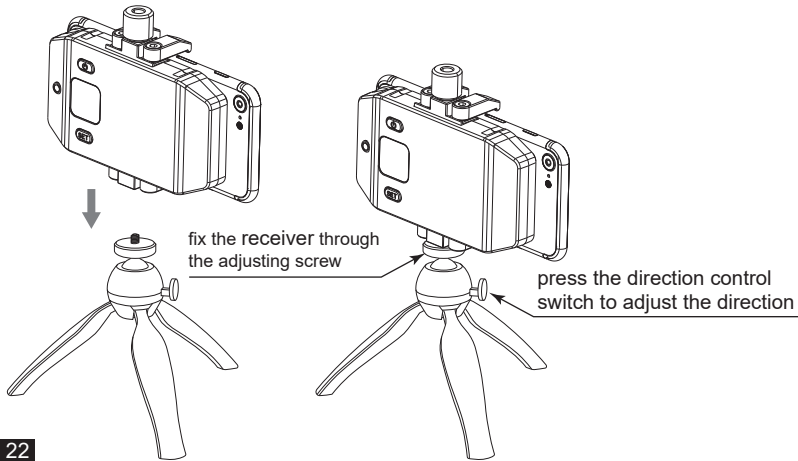
3. Turn on the bluetooth of the phone, match with the bluetooth named 'Viewflex - H', then you can use your smartphone for recording



👉 In photo shooting mode, press the remote controller for photo taking; In video mode, press the remote controller to start video, and press again to finish.

Tripod on Table:

1. Connect the receiver with the tripod through the 1/4 screw thread, fix the receiver by adjusting the adjustable screw, press the direction control switch to adjust the direction



Specification

Lavalier Transmitter (TX) :

Signal/Noise	> 65dB
Antenna	Built-in Wire Antenna
Antenna Gain	-1dBi
Mic Cable	ϕ 2.5mm; Length:1.2m; TPE
Stray Radiation	< -60dBc
Sound Delay	< 20ms
Audio Distortion	< 0.5%
Audio Input Jack	3.5mm
Battery	Polymer Lithium Battery 3.7V 1150mAH
Endurance	8 Hours
Charging Socket	Micro USB
Dimension	85 x 59 x 16.3 mm
Operating Temperature	0°C ~ +50°C
Storage Temperature	-20°C ~ +60°C

Receiver (RX):

Signal/Noise	> 65dB
Antenna	Built-in Wire Antenna
Antenna Gain	-1dBi
Output Cable	TRS-TRRS; ϕ 3.0mm; Length:0.6m; TPU
Receiving Sensitivity	-95dBm
Sound Delay	< 20ms
Audio Distortion	< 0.5%
Frequency Response	20Hz ~ 18KHz
Audio Input Jack	3.5mm
Battery	Polymer Lithium Battery 3.7V 1150mAH
Endurance	8 Hours
Charging Socket	Micro USB
Dimension	104 x 57.6 x 16.3mm
Operating Temperature	0°C ~ +50°C
Storage Temperature	-20°C ~ +60°C

This device operates on a no-interference, no-protection basis. Should the user seek to obtain protection from other radio services operating in the same TV bands, a radio licence is required. For further details, consult Innovation, Science and Economic Development Canada's Client Procedures Circular CPC-2-1-28, Voluntary Licensing of Licence-Exempt Wireless Microphones in the TV Bands.



www.comica-audio.com

The COMICA LOGO is trademark which is registered and owned by Comica Technology Co.,Ltd
Email: support@comica-audio.com

FCC Statement

This device complies with part 15 of the FCC rules. Operation is subject to the following two conditions: (1) this device may not cause harmful interference, and (2) this device must accept any interference received, including interference that may cause undesired operation.

Changes or modifications not expressly approved by the party responsible for compliance could void the user's authority to operate the equipment.

NOTE: This equipment has been tested and found to comply with the limits for a Class B digital device, pursuant to part 15 of the FCC Rules. These limits are designed to provide reasonable protection against harmful interference in a residential installation. This equipment generates uses and can radiate radio frequency energy and, if not installed and used in accordance with the instructions, may cause harmful interference to radio communications. However, there is no guarantee that interference will not occur in a particular installation. If this equipment does cause harmful interference to radio or television reception, which can be determined by turning the equipment off and on, the user is encouraged to try to correct the interference by one or more of the following measures:

- Reorient or relocate the receiving antenna.
- Increase the separation between the equipment and receiver.
- Connect the equipment into an outlet on a circuit different from that to which the receiver is connected.
- Consult the dealer or an experienced radio/TV technician for help.

The device has been evaluated to meet general RF exposure requirement. The device can be used in portable exposure condition without restriction.

ISED Statement

- English: This device complies with Industry Canada license - exempt RSS standard(s). Operation is subject to the following two conditions: (1) This device may not cause interference, and (2) This device must accept any interference, including interference that may cause undesired operation of the device.

The digital apparatus complies with Canadian CAN ICES - 3 (B)/NMB - 3(B).

- French: Le présent appareil est conforme aux CNR d'Industrie Canada applicables aux appareils radio exempts de licence. L'exploitation est autorisée aux deux conditions suivantes: (1) l'appareil ne doit pas produire de brouillage, et (2) l'utilisateur de l'appareil doit accepter tout brouillage radioélectrique subi, même si le brouillage est susceptible d'en compromettre le fonctionnement.

l'appareil numérique du ciem conforme canadien peut - 3 (b) / nmb - 3 (b).

For Receiver:

This device meets the exemption from the routine evaluation limits in section 2.5 of RSS 102 and compliance with RSS 102 RF exposure, users can obtain Canadian information on RF exposure and compliance.

cet appareil est conforme à l'exemption des limites d'évaluation courante dans la section 2.5 du cnr - 102 et conformité avec rss 102 de l'exposition aux rf, les utilisateurs peuvent obtenir des données canadiennes sur l'exposition aux champs rf et la conformité.

This equipment complies with Canada radiation exposure limits set forth for an uncontrolled environment. This equipment should be installed and operated with minimum distance 20cm between the radiator & your body.

Cet équipement est conforme Canada limites d'exposition aux radiations dans un environnement non contrôlé. Cet équipement doit être installé et utilisé à distance minimum de 20cm entre le radiateur et votre corps.

For Transmitter:

This device meets the exemption from the routine evaluation limits in section 2.5 of RSS 102 and compliance with RSS 102 RF exposure, users can obtain Canadian information on RF exposure and compliance.

cet appareil est conforme à l'exemption des limites d'évaluation courante dans la section 2.5 du cnr - 102 et conformité avec rss 102 de l'exposition aux rf, les utilisateurs peuvent obtenir des données canadiennes sur l'exposition aux champs rf et la conformité.

This equipment complies with Canada radiation exposure limits set forth for an uncontrolled environment. This equipment should be installed and operated with minimum distance 0mm between the radiator & your body.

Cet équipement est conforme Canada limites d'exposition aux radiations dans un environnement non contrôlé. Cet équipement doit être installé et utilisé à distance minimum de 0mm entre le radiateur et votre corps.