

# CVM-WM200

UHF Wireless Microphone

User Manual

## Foreword

Thanks for purchasing Comica WM200 PRO

## Main Features

- Dual-channel Wireless Microphone, One Touch to Switch Channel
- Support Maximum Capacity of 128G Micro SD Card for External Memory
- 96 Channels for Multiple Devices Working Together
- 180° Rotatable Antenna, Working Distance Up to 120m
- Support Recording File's High-speed Transmission and Copy&Firmware Update
- Support Auto-scanning/Manual Channel-setting and Infrared Pairing
- M/S Switch, Low Cut, Mute, 16 Levels Volume Adjustment, etc.
- Support USB-C Interface to Connect External Power/AA Battery for Power Supply
- LCD Screen for Intuitive Operation and Usage
- Full Metal Manufacturing, Excellent Shielding

## Notice

- ⚠ Transmitter should be placed at a distance more than 10cm from Receiver. When the distance is less than 10cm, Receiver's wireless signal receiving part will take protect action to shut down the receiving wireless signal, then audio may be intermittent, which is normal
- ⚠ "Update" or "Copy" function can not be used with Recording function at the same time
- ⚠ When it needs to be used for a long time, it can be connected to the external power to realize charging while using. AC/DC power is not supported to avoid noise problem
- ⚠ When using this product in a short distance, it is recommended to set RF strength at 'LOW' to reduce the power consumption
- ⚠ For smartphone shooting, customers need to purchase a TRS-TRRS audio cable

## FCC statement

This device complies with Part 15 of the FCC rules. Operation is subject to the following two conditions: 1) this device may not cause harmful interference, and 2) this device must accept any interference received, including interference that may cause undesired operation.

Note: This equipment has been tested and found to comply with the limits for a Class B digital device, pursuant to part 15 of the FCC Rules. These limits are designed to provide reasonable protection against harmful interference in a residential installation. This equipment generates uses and can radiate radio frequency energy and, if not installed and used in accordance with the instructions, may cause harmful interference to radio communications. However, there is no guarantee that interference will not occur in particular installation. If this equipment does cause harmful interference to radio or television reception, which can be determined by turning the equipment off and on, the user is encouraged to try to correct the interference by one or more of the following measures:

- Reorient or relocate the receiving antenna.
- Increase the separation between the equipment and receiver.
- Connect the equipment into an outlet on a circuit different from that to which the receiver is connected.
- Consult the dealer or an experienced radio/TV technician for help.

Changes or modifications not expressly approved by the party responsible for compliance could void the user's authority to operate the equipment.

### FCC Radiation Exposure Statement

This device complies with FCC RF radiation exposure limits set forth for an uncontrolled environment. This transmitter must not be co-located or operating in conjunction with any other antenna or transmitter.

## Packing List

### Main Part:



Lavalier Transmitter (TX)



Handheld Transmitter (HTX)



Receiver (RX)

### Multiple Selections:

WM200 PRO (A) = 2TX + RX



TX

+



TX

+



RX

WM200 PRO (C) = TX + RX



TX

+



RX



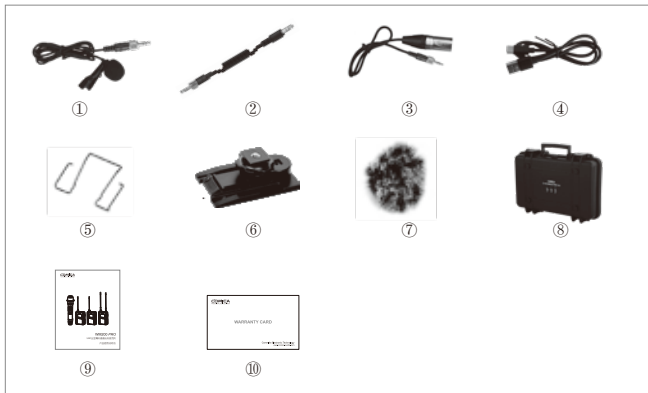
WM200 PRO-TX



WM200 PRO-HTX

## Accessories:

- ① 3.5mm TRS Lavalier Microphone
- ② 3.5mm TRS-TRS Audio Cable
- ③ 3.5mm TRS-XLR Audio Cable
- ④ Charging Cable
- ⑤ Belt Clip
- ⑥ Cold Shoe Mount
- ⑦ Wind Muff
- ⑧ Portable Box
- ⑨ User Manual
- ⑩ Warranty Card



The accessories of each combination include:

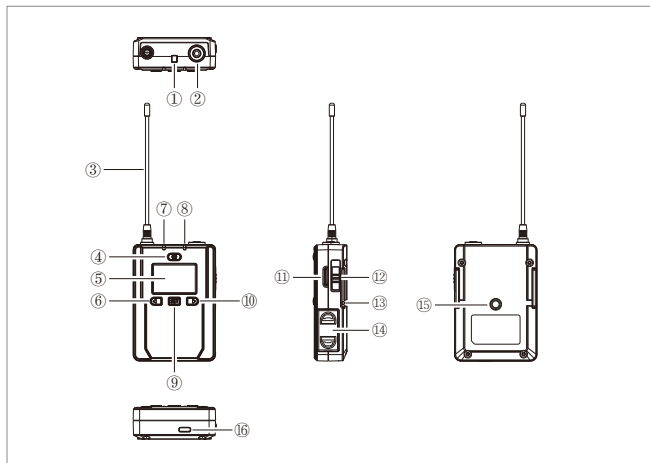
WM200 PRO (A) = ①x2 + ② + ③ + ④ + ⑤x3 + ⑥ + ⑦ + ⑧ + ⑨ + ⑩

WM200 PRO (C) = ① + ② + ③ + ④ + ⑤x2 + ⑥ + ⑦ + ⑧ + ⑨ + ⑩

WM200 PRO-TX = ① + ⑤ + ⑦ + ⑨ + ⑩

## Components and Instruction

### Lavalier Transmitter (TX):



① IR Sensor

② MIC / Line in Audio Input Port

③ Antenna

④ Power / Muting Button

⑤ LCD Screen

⑥ Function Selection Button -

⑦ Matching Status Indicator

⑧ Audio Status Indicator

⑨ SET Function Menu/ Recording Button

⑩ Function Selection Button +

⑪ TF Card Port

⑫ Group Switch Button

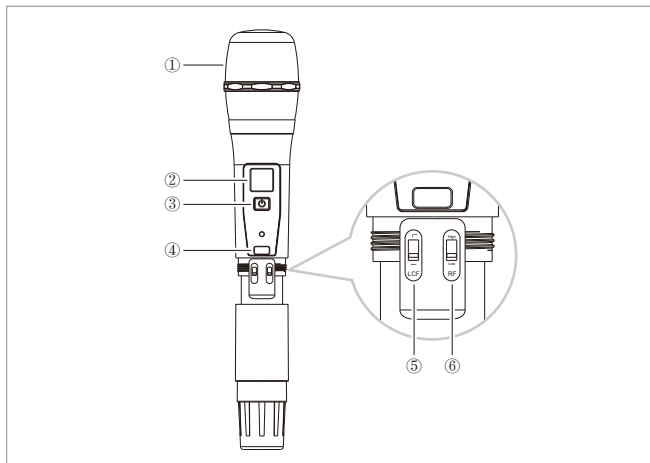
⑬ Belt Clip Port

⑭ Battery Tray

⑮ 1/4 Threaded Hole

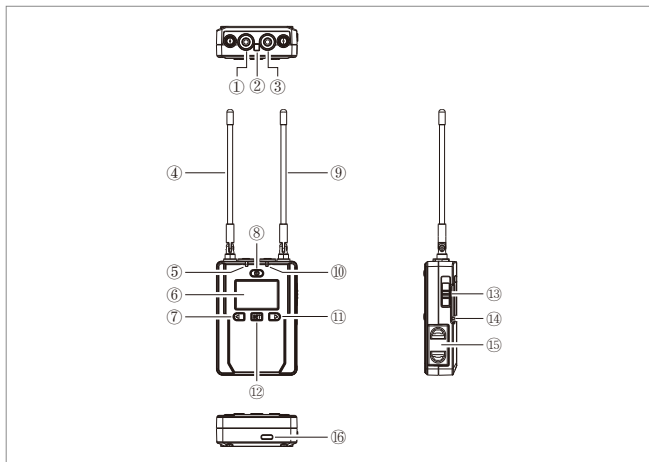
⑯ USB-C Port

## Handheld Transmitter (HTX):



- ① Mic Capsule
- ② LCD Screen
- ③ Power / Muting Button
- ④ IR Sensor
- ⑤ Low Cut Filter/Normal Audio Switch
- ⑥ Signal Strength "High/Low" Switch

## Receiver (RX) :



① 3.5mm Audio Output Port

② IR Sensor

③ 3.5mm Monitoring Port

④ Group A Antenna

⑤ Group A Working Status Indicator

⑥ LCD Screen

⑦ Function Selection Button -

⑧ Power Button

⑨ Group B Antenna

⑩ Group B Working Status Indicator

⑪ Function Selection Button +

⑫ SET Function Menu Button

⑬ Group Switch Button

⑭ Belt Clip Port

⑮ Battery Tray

⑯ USB-C Port



## Indicator Light Instruction

### Lavalier Transmitter (TX) :

RF	Blue Light Keeps on	Channel matches (No matter the channel matched or not)
	Red Light Flickers	Channel is matching (only for IR Sync)

---

AUDIO	Blue Light Keeps on	Normal recording status
	Red Light Keeps on	Muting mode
	Red Light Flickers	Low power reminder

---

### Receiver (RX) :

A / RF	Blue Light Keeps on	Normal working status after the channel matched
	Blue Light Flickers	Channel match failed
B / RF	Red Light Flickers	Channel is matching (only for IR Sync) Low power reminder
	Red Light Keeps on	Group closed



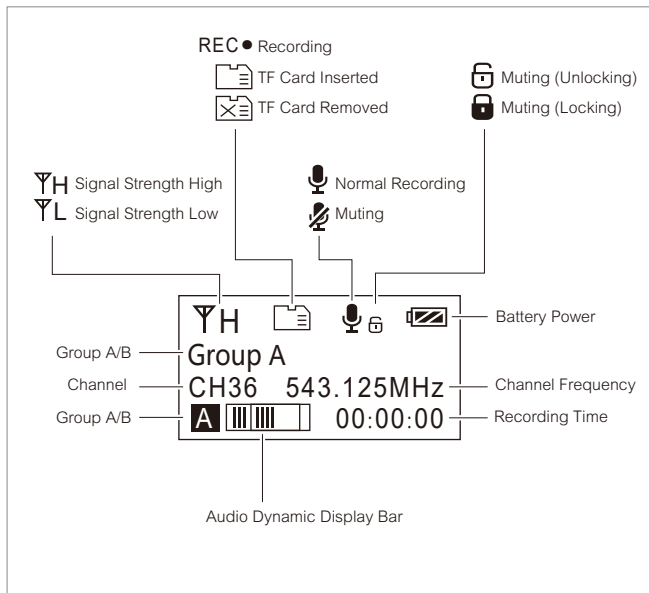
A / RF: Group A Working Status Indicator

B / RF: Group B Working Status Indicator

# Screen Display and Operation Instruction

## Lavalier Transmitter (TX)

Screen Display Instruction:



## Operation Instruction:

### 1. Group A/B Selection

You could choose Group A or Group B based on your demand

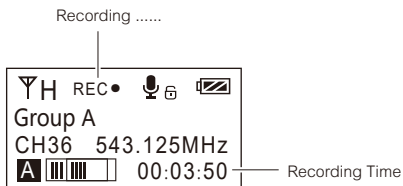


### 2. Recording Function

At the home page and the screen lights up for long pressing **SET** button to record,

The **REC ●** of the screen flashes is recording;

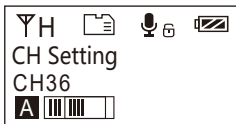
At the home page and screen lights up for long pressing **SET** button to stop recording;  
audio is stored in the TF card (Please purchase TF card by yourself)




👉 "Update" or "Copy" function can not be used with Recording function at the same time

### 3. Manually Adjust the Channel of Transmitter

3.1 Short press   button to CH setting page




3.2 Long press  button to enter the CH adjustment state



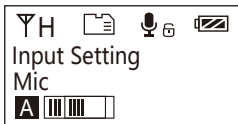
3.3 Short press   button to the right channel



3.4 Short press  button to confirm and other button of pages operate in the same way



#### 4. MIC/Line in Input Mode Adjustment



- ☞ Mic mode is for Microphone input;  
Line in mode is for external audio input, such as smartphone music player.  
Selecting the corresponding input mode will bring you a better audio effect.

#### 5. Low Cut Filter 'Low/High/OFF' Adjustment



- ☞ The LCF function will filter the low-frequency part of the audio source, such as the sound of wild insects and the noise of the crowd, and the main audio source will be thinner. When the LCF function is turned off, the original sound will be restored, and the main sound source will be thicker. You can adjust to meet your needs

#### 6. Transmitting Signal Strength Adjustment



- ☞ With high signal strength, the wireless working distance is up to 80-120M, high power consumption, standby time is short;  
With low signal strength, the wireless working distance is up to 30-60M, low power consumption, standby time is long

## 7. Muting Mode On/Off



☞ When set to ' Disable ', the muting function cannot be used, the icon is: 🔒

When set to ' Enable ', the muting function works, the icon is: 🔓

The muting mode can be controlled only when the screen is on, press any button to light the screen and then press the Power/Muting Button to switch the muting mode.

## 8. Time Adjustment for Backlight



## 9. System Language



## 10. Clear TF Card



Remaining Recording Time

## 11. Update & Copy



- ☞
1. The recording function can only be used when the "update & copy" mode is off, there are not a disk on the computer
  2. When the "update & copy" mode is on, two disks appear after WM200 PRO is connected with the computer, you can update firmware and copy audio file
  3. Two disks appear after the WM200 PRO is connected to the computer, and the recorded audio files can be copied from the disk of the TF card; Please copy the upgrade file to WM200\_PRO disk, and then restart the WM200 PRO to upgrade

### Devices and drives (2)



The name and memory of the TF card disk are determined by the TF card you purchased

## 12. Reset

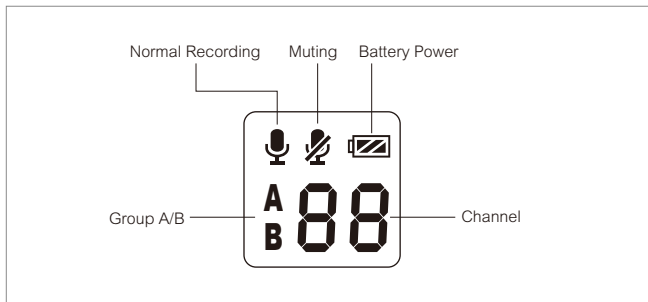


## 13. Version



## Handheld Transmitter (HTX)

### Screen Display Instruction:






### Operation Instruction:

#### 1. Turn on and Muting Mode Switch

1.1 Long press  switch button for 2 seconds to turn on or off

1.2 when the screen is lighted on, short press the  button to select muting mode

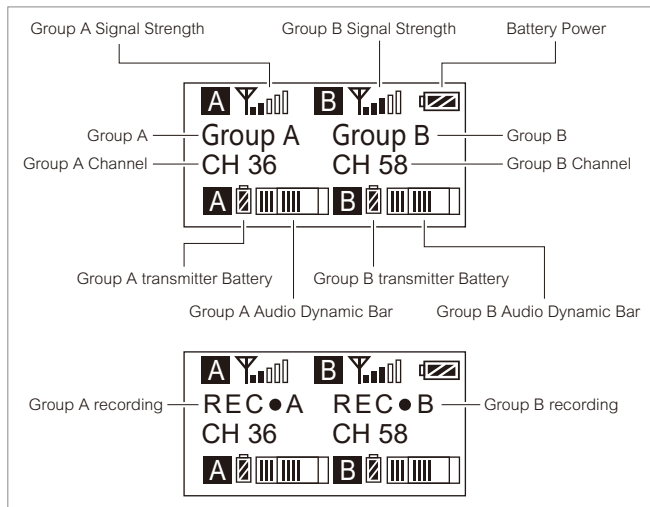


 The muting mode can be controlled only when the screen is lighted on, press the  button to light the screen and then press the  button to switch the muting mode



## Receiver (RX)

Screen Display Instruction:



Operation Instruction:

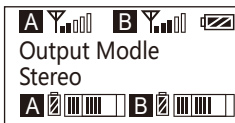
### 1. Group A/B/AB Selection

You could choose group A/B/AB based on your demand

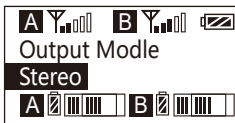




## 2. Audio Output Mode 'Stereo/Mono' Adjustment

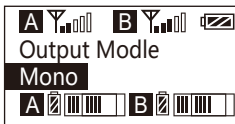
2.1 Short press   button to ' Output Mode ' page



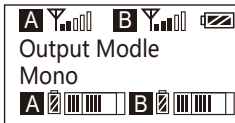
2.2 Long press  button to ' Output Mode ' page



2.3 Short press   button to select ' Mono/ Stereo ' Output Mode

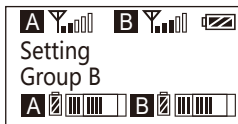
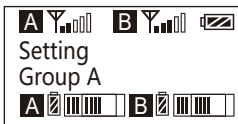


2.4 Short press  button to confirm and other button of pages operate in the same way

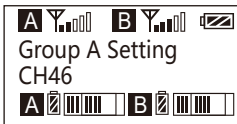


 When set to a single group A or group B, the output can only be mono mode

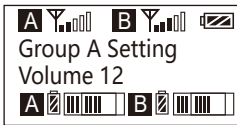
3. Group A/B Function Setting (Select the group you need to set)



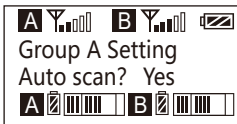
4. Group A/B Channel Frequency Setting



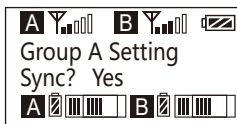
5. Group A/B Volume Adjustment



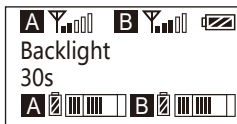
6. Group A/B Automatic Channel Scan (Automatically scan the optimal frequency)



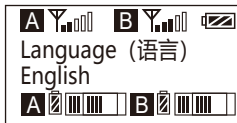
## 7. Sync



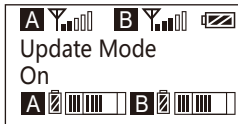
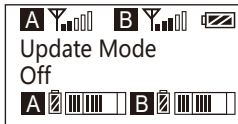
## 8. Time Adjustment for Backlight



## 9. System Language

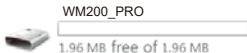


## 10. Update Mode

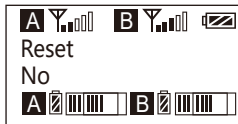
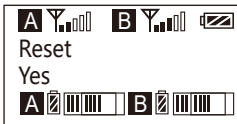


1. When the update mode is off, there are not a disk on the computer
2. When the update mode is on, a WM200\_PRO disk appears after WM200 PRO is connected with the computer, put the upgrade file to the disk and then restart the WM200 PRO to upgrade

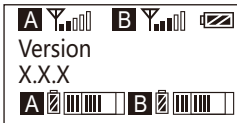
### ↳ Devices and drives (1)



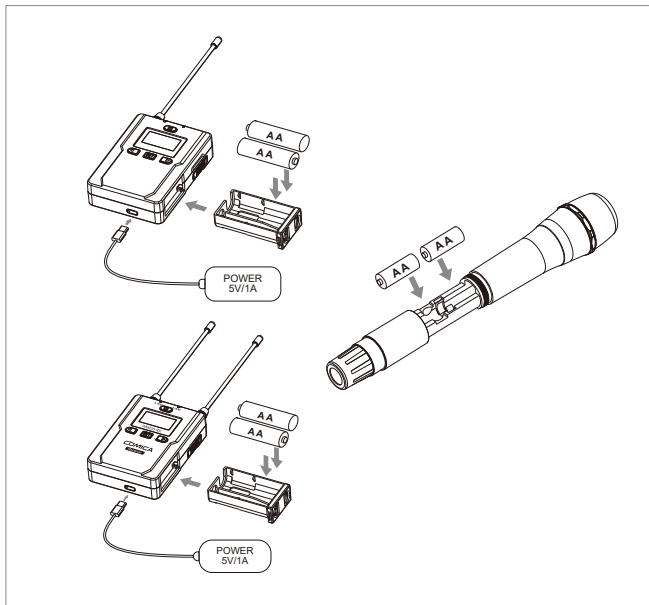
## 11. Reset




## 12. Version

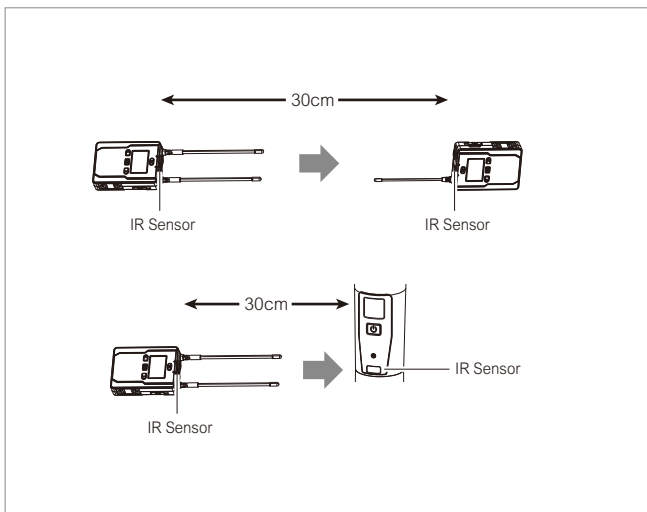


## Installation and Usage

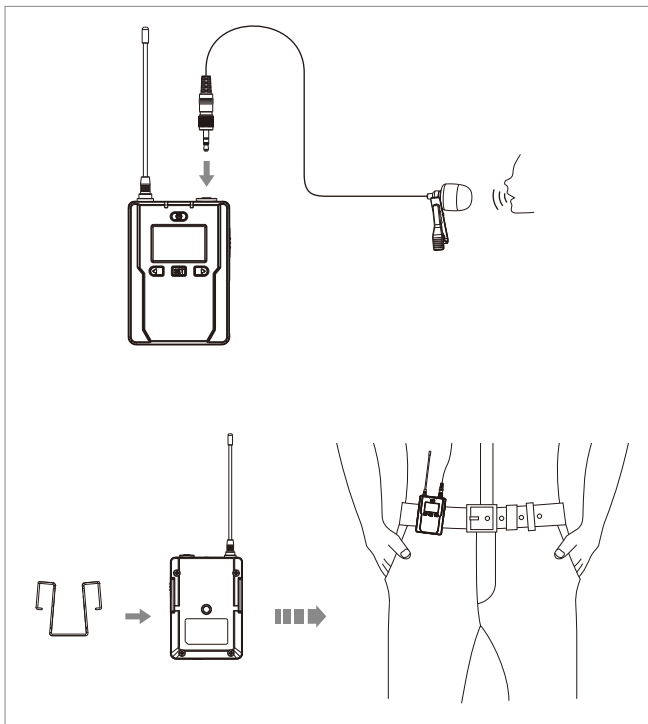


1. Install two AA batteries into the battery tray according to the positive and negative electrode. It supports external power supplying through USB-C Plug

 When it needs to be used for a long time, it can be connected to the external power to realize charging while using. AC/DC power is not supported to avoid noise problem

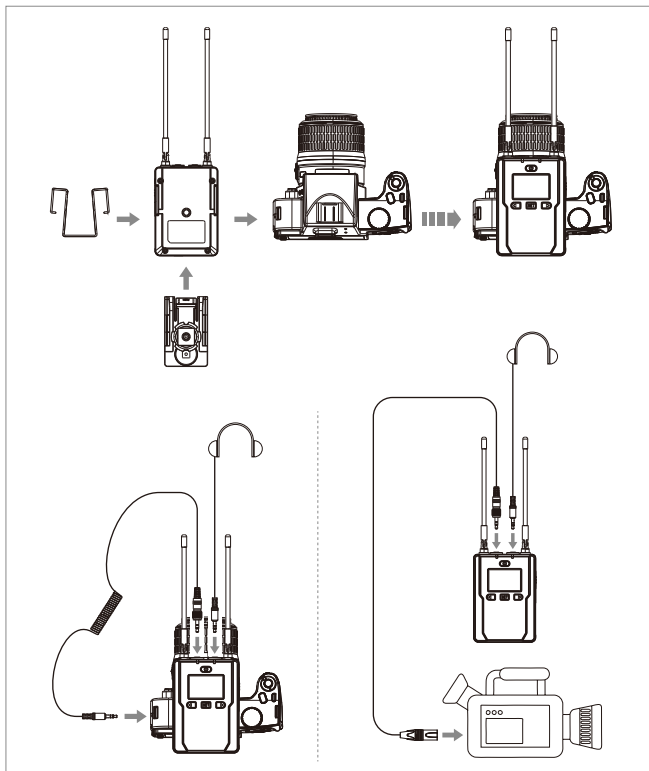


2. Long press the power button to turn on, set the "Sync" function of receiver, and then match the IR sensor of receiver and transmitter



3. Insert the 3.5mm TRS microphone into the MIC port, install the belt clip to the belt clip port and wear it correctly. You can choose to use the lavalier transmitter or handheld transmitter to meet your needs





4. Connect the receiver and devices through the cold shoe mount and 3.5mm TRS-TRS audio cable / 3.5mm TRS-XLR audio cable, and insert the headphone into the 3.5mm monitoring port to monitor

## Specification

### Lavalier Transmitter (TX)

Signal / Noise	>65dB
Antenna	1/4 Wavelength Wire Antenna
Stray Radiation	<-60dBc
Sound Delay	<20ms
Audio Distortion	<0.5%
Battery	AA Batteries x 2pcs
Dimension	84 x 63.5 x 23mm
Net Weight	123g
Operating Temperature	-20℃ ~ 50℃
Storage Temperature	-20℃ ~ 60℃

### Handheld Transmitter (HTX)

Signal / Noise	>65dB
Antenna	PCB Antenna
Stray Radiation	<-60dBc
Sound Delay	<20ms
Audio Distortion	<0.5%
Battery	AA Batteries x 2pcs
Dimension	Φ 53.5(MAX) x 253mm
Net Weight	339g
Operating Temperature	-20℃ ~ 50℃
Storage Temperature	-20℃ ~ 60℃

## Receiver (RX)

Signal / Noise	>65dB
Antenna	1/4 Wavelength Wire Antenna
Receiving Sensitivity	<-93dBm
Stray Radiation	<-60dBc
Sound Delay	<20ms
Audio Distortion	<0.5%
Battery	AA Batteries x 2pcs
Dimension	84 x 63.5 x 23mm
Net Weight	144g
Operating Temperature	-20°C ~ 50°C
Storage Temperature	-20°C ~ 60°C

## Parameters

Group A Wireless Frequency	534.125MHz ~ 557.875MHz
Group B Wireless Frequency	566.125MHz ~ 589.875MHz
RX's Operating Current	174mAh
RX's Battery Life	11h (2000mAh Battery)
TX's Operating Current	270mAh in High RF Mode 208mAh in Low RF Mode
TX's Battery Life	7.5h in High RF Mode (2000mAh Battery) 9.5h in Low RF Mode (2000mAh Battery)

This device operates on a no-interference, no-protection basis. Should the user seek to obtain protection from other radio services operating in the same TV bands, a radio licence is required. For further details, consult Innovation, Science and Economic Development Canada's Client Procedures Circular CPC-2-1-28, Voluntary Licensing of Licence-Exempt Wireless Microphones in the TV Bands.



Website: [comica-audio.com](http://comica-audio.com)

Facebook: Comica Audio Tech Global

Instagram: Comica Audio

YouTube: Comica Audio

The COMICA LOGO is trademark which is registered and owned by Commlite Technology Co.,Ltd

Email: [support@comica-audio.com](mailto:support@comica-audio.com)

**FCC Statement**

This device complies with part 15 of the FCC rules. Operation is subject to the following two conditions: (1) this device may not cause harmful interference, and (2) this device must accept any interference received, including interference that may cause undesired operation.

Changes or modifications not expressly approved by the party responsible for compliance could void the user's authority to operate the equipment.

NOTE: This equipment has been tested and found to comply with the limits for a Class B digital device, pursuant to part 15 of the FCC Rules. These limits are designed to provide reasonable protection against harmful interference in a residential installation. This equipment generates uses and can radiate radio frequency energy and, if not installed and used in accordance with the instructions, may cause harmful interference to radio communications. However, there is no guarantee that interference will not occur in a particular installation. If this equipment does cause harmful interference to radio or television reception, which can be determined by turning the equipment off and on, the user is encouraged to try to correct the interference by one or more of the following measures:

- Reorient or relocate the receiving antenna.
- Increase the separation between the equipment and receiver.
- Connect the equipment into an outlet on a circuit different from that to which the receiver is connected.
- Consult the dealer or an experienced radio/TV technician for help.

The device has been evaluated to meet general RF exposure requirement. The device can be used in portable exposure condition without restriction.

#### ISED Statement

- English: This device complies with Industry Canada license - exempt RSS standard(s). Operation is subject to the following two conditions: (1) This device may not cause interference, and (2) This device must accept any interference, including interference that may cause undesired operation of the device.

The digital apparatus complies with Canadian CAN ICES - 3 (B)/NMB - 3(B).

- French: Le présent appareil est conforme aux CNR d'Industrie Canada applicables aux appareils radio exempts de licence. L'exploitation est autorisée aux deux conditions suivantes: (1) l'appareil ne doit pas produire de brouillage, et (2) l'utilisateur de l'appareil doit accepter tout brouillage radioélectrique subi, même si le brouillage est susceptible d'en compromettre le fonctionnement.

l'appareil numérique du ciem conforme canadien peut - 3 (b) / nmb - 3 (b).

#### For Receiver:

This device meets the exemption from the routine evaluation limits in section 2.5 of RSS 102 and compliance with RSS 102 RF exposure, users can obtain Canadian information on RF exposure and compliance.

cet appareil est conforme à l'exemption des limites d'évaluation courante dans la section 2.5 du cnr - 102 et conformité avec rss 102 de l'exposition aux rf, les utilisateurs peuvent obtenir des données canadiennes sur l'exposition aux champs rf et la conformité.

This equipment complies with Canada radiation exposure limits set forth for an uncontrolled environment. This equipment should be installed and operated with minimum distance 20cm between the radiator & your body.

Cet équipement est conforme Canada limites d'exposition aux radiations dans un environnement non contrôlé. Cet équipement doit être installé et utilisé à distance minimum de 20cm entre le radiateur et votre corps.

#### For Transmitter:

This device meets the exemption from the routine evaluation limits in section 2.5 of RSS 102 and compliance with RSS 102 RF exposure, users can obtain Canadian information on RF exposure and compliance.

cet appareil est conforme à l'exemption des limites d'évaluation courante dans la section 2.5 du cnr - 102 et conformité avec rss 102 de l'exposition aux rf, les utilisateurs peuvent obtenir des données canadiennes sur l'exposition aux champs rf et la conformité.

This equipment complies with Canada radiation exposure limits set forth for an uncontrolled environment. This equipment should be installed and operated with minimum distance 0mm between the radiator & your body.

Cet équipement est conforme Canada limites d'exposition aux radiations dans un environnement non contrôlé. Cet équipement doit être installé et utilisé à distance minimum de 0mm entre le radiateur et votre corps.