

Broadcasting-Level Multi-functional Mini UHF Wireless Microphone



User Manual

Technology Parameters

Transmitter (TX)

Channels	48
Group A Wireless Frequency	568.125MHz ~ 579.875MHz
Group B Wireless Frequency	580.125MHz ~ 591.875MHz
Transmitting Power	15dBm

Receiver (RX)

Channels	48
Group A Wireless Frequency	568.125MHz ~ 579.875MHz
Group B Wireless Frequency	580.125MHz ~ 591.875MHz

Foreword

Thanks for purchasing COMICA BoomX-U Broadcasting-Level Multi-functional Mini UHF Wireless Microphone. To ensure bring you a good using experience, please read this manual book carefully before using and correctly install and operate.

Main Features

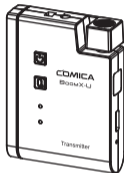
- . Mini and Portable, Broadcast Level
- . Dual-Channel UHF Wireless Microphone
- . Multi-Receiver Monitoring & Shooting
- . Internal and External Mic Two Input Modes
- . 180° Foldable Antenna
- . Working Distance is Up to 120m
- . Multiple Channels Used for Several Devices Working Together
- . Auto-scanning and Quick IR Pair
- . LCF, M/S Switch, 16-Levels Adjusted Gain Control, Muting Functions
- . Real-time Visual Power and Audio Dynamic Monitor
- . Special Anti-loose Design for External Lavalier Mic
- . Colorful TFT Display, High Resolution
- . Support Screen Flip
- . Designed with Multi-functional Belt Clip and Compact

Notice

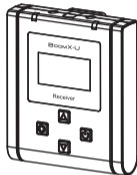
- ⚠ Please make sure the IR sensor are closely aligned when pairing
- ⚠ Don't block the antenna position to avoid any poor signal generated
- ⚠ Please attention that it can not realize STEREO function when in single channel mode
- ⚠ It is recommended to adjust the antenna of transmitter and receiver to appropriate angle for stable transmission and long working distance
- ⚠ It is recommended to keep a distance more than one meter between the two transmitters when using IR sync function, or it is easy to cause mismatching
- ⚠ This product belongs to high-precision instruments, please avoid falling, collision or pounding
- ⚠ Do not use this equipment in the vicinity of heat source or interference source, such as radiator, oven, WIFI AP, intercom or next to the other wireless devices
- ⚠ If the pick-up distance is close or when used outdoors, please put on the wind muff to prevent sound burst or reduce wind noise
- ⚠ Do not use the equipment in rain or in a damp environment to avoid short-circuit danger
- ⚠ Please keep the product in a dry environment

Packing List

Main Parts:



Transmitter(TX)



Receiver (RX)

Purchase Options:



U1 = TX + RX



U2 = TX + TX + RX

Accessories:

- ① 3.5mm Lavalier Mic
- ② Wind Muff
- ③ 3.5mm TRS-TRRS Audio Cable
- ④ 3.5mm TRS-TRS Audio Cable
- ⑤ 3.5mm-XLR Audio Output Cable
- ⑥ USB A-USB C Charging Cable
- ⑦ Carry Case
- ⑧ User Manual
- ⑨ Warranty Card



The accessories of each combination include :

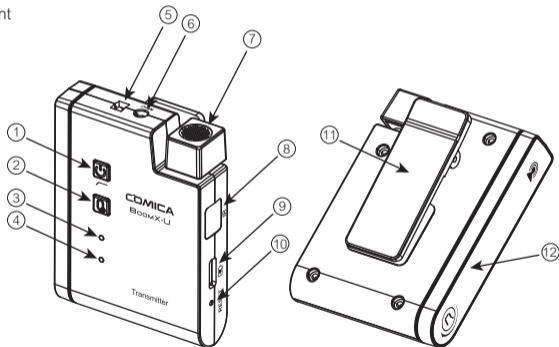
U1= ①+②+③+④+⑤+⑥+⑦+⑧+⑨

U2= ①x2+②x2+③+④+⑤+⑥+⑦+⑧+⑨

Components and Instruction

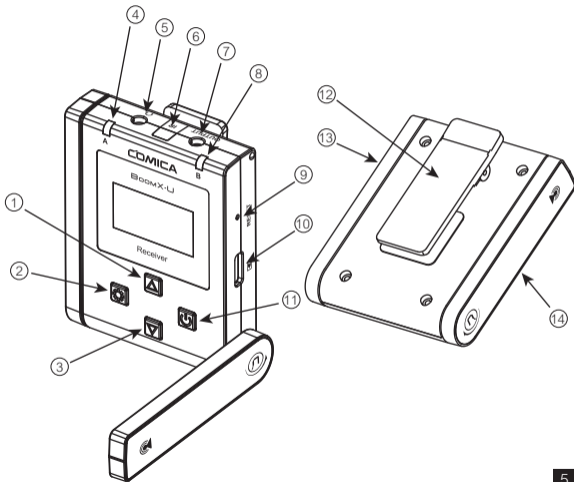
Transmitter (TX):

1. Power / Low Cut Filter Button
2. Muting Button
3. Power / Low Cut Filter Indicator Light
4. Audio Status Indicator Light
5. External Mic Locking Buckle
6. 3.5mm TRS Port of External Mic
7. Internal Mic
8. IR Sensor
9. USB-C Charging Port
10. Reset Hole
11. Belt Clip
12. Antenna



Receiver (RX)

1. Menu Function Button +
2. Function Setting Button
3. Menu Function Button -
4. Group A Working Status Indicator
5. 3.5mm TRS/TRRS Monitoring Port
6. IR Sensor
7. 3.5mm TRS Audio Output Port
8. Group B Working Status Indicator
9. Reset Hole
10. USB-C Charging Port
11. Power Button
12. Belt Clip
13. Group A Antenna
14. Group B Antenna

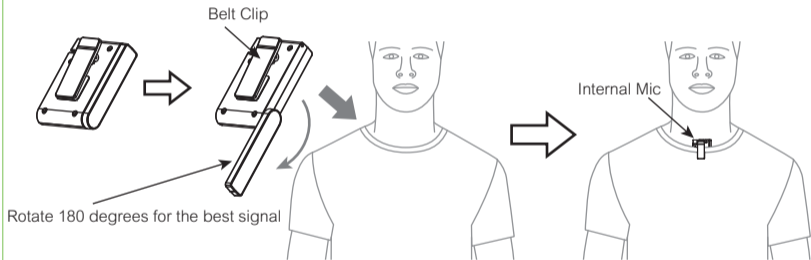


Installation

Transmitter (TX)

1. Use internal microphone :

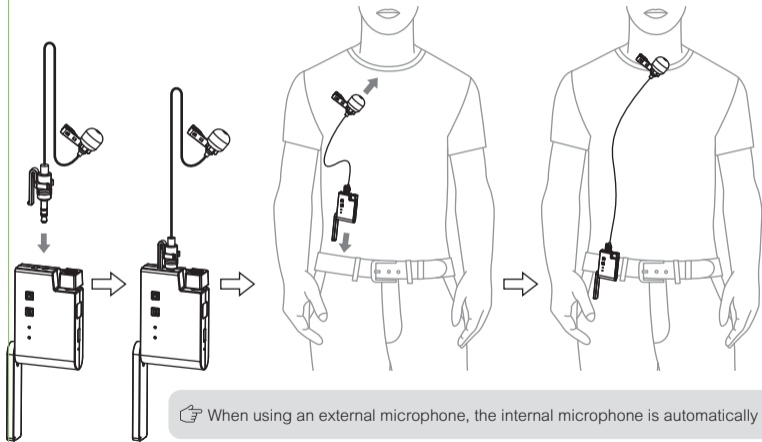
Adjust the antenna angle; Install the transmitter on the collar through the belt clip so that the internal microphone points in the direction of the sound source



👉 For better concealment during use, it is recommended that the belt clip be fixed and used outwards

2. Use external microphone:

Insert the 3.5mm TRS microphone input cable into the transmitter's 3.5mm TRS external microphone port and tighten it, then clip the transmitter to the belt through the belt clip and clip the lavalier microphone to your collar

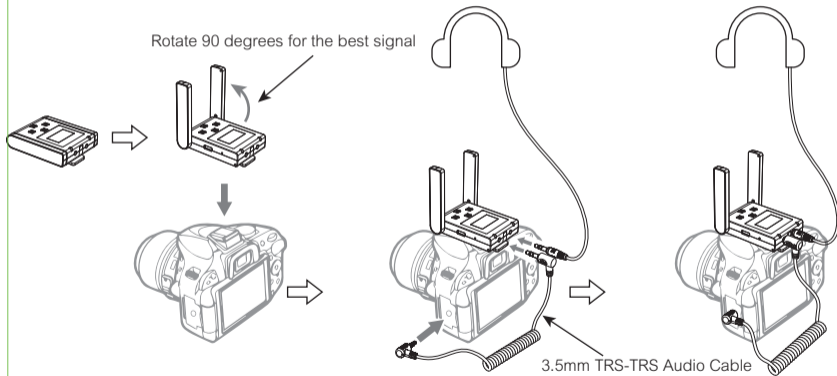


👉 When using an external microphone, the internal microphone is automatically turned off

Receiver (RX)

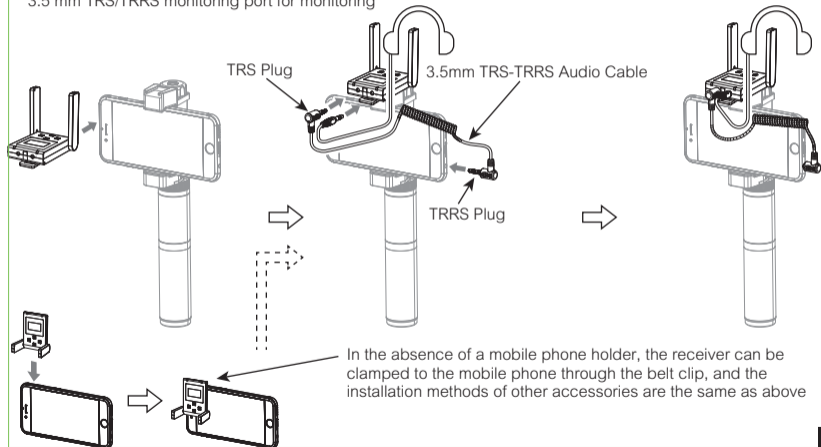
1. Work with Camera:

Adjust the antenna angle; Fix the receiver through the belt clip to the camera's hot shoe mount, then connect the receiver with camera through the 3.5mm TRS-TRS audio cable; Insert the headphone into the monitoring port for monitoring



2. Work with Smartphone:

Clip the receiver to the cold shoe mount through the belt clip; Connect the receiver with the mobile phone through the 3.5mm TRS-TRRS audio cable and pay attention to the access to the audio output jack of the receiver is the 3.5mm TRS plug, and the access to the mobile phone is the 3.5mm TRRS plug; Insert the headphone to the 3.5 mm TRS/TRRS monitoring port for monitoring



Transmitter (TX)

Function Introduction:

1. Power /Low Cut Filter Button

Long press for On/Off; Short press for Low Cut Filter



2. Muting Button

Long press to switch between normal recording and mute



3. Power /Low Cut Filter Indicator Light

Blue light keeps on after turn on the Transmitter; Purple light keeps on after turn on Low Cut Filter mode; Red light flicker when pairing transmitter and receiver or low power; Red light keeps on when charging



4. Audio Status Indicator Light

Blue light flicker when sound is input; Red light keeps on when sound is crackled or mute status



5. Reset Hole

If there is an abnormal phenomenon such as the device is crash or unable to turn on it, then insert the reset pin into the reset hole to reset it



6. Internal Mic

Turn the Mic to the sound source



7. 3.5mm TRS External Microphone Port

Insert the 3.5mm TRS microphone input cable, and you can use the external lavalier microphone for recording. At this time, the internal microphone of this device is automatically turned off



8. IR Sensor

It's paired successfully only when the receiver and transmitter's IR sensor are closely aligned



9. USB-C Charging Port

Connect the transmitter with the 5V power through the USB A-USB C charging cable to charge



Receiver (RX)

Receiver (RX) Function Introduction:

1. Power Button

Long press for On/Off; Short press on the function menu interface to exit the current interface



2. SET Function Button

Short Press can enter the setting display page, then adjust the related function



3. Function Selection Button +

Short Press for function adjustment (+)



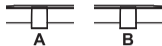
4. Function Selection Button -

Short Press for function adjustment (-)



5. Group A/B Working Status Indicator

Indicator light is off when unpaired; Blue light keeps on after paired successfully;
Red light flicker when low power; Red light keeps on when charging



6. 3.5mm TRS Audio Output Port

Connect with mobile phone through the 3.5mm TRS-TRRS audio cable; Connect with camera through the 3.5mm TRS-TRS audio cable



7. IR Sensor

It's paired successfully only when the receiver and transmitter's IR sensor are closely aligned



8. 3.5mm TRS/TRRS Monitoring Port

Insert headphone to monitor



9. Screen Flip Function

You can flip the screen 180 degrees to use according to different scenes

Menu
Screen Flip
Off

(Normal Display)

On
Screen Flip
Menu

(After Screen Flips 180 Degrees)

10. Reset Hole

If there is an abnormal phenomenon such as the device is crash or unable to turn on it, then insert the reset pin into the reset hole to reset it

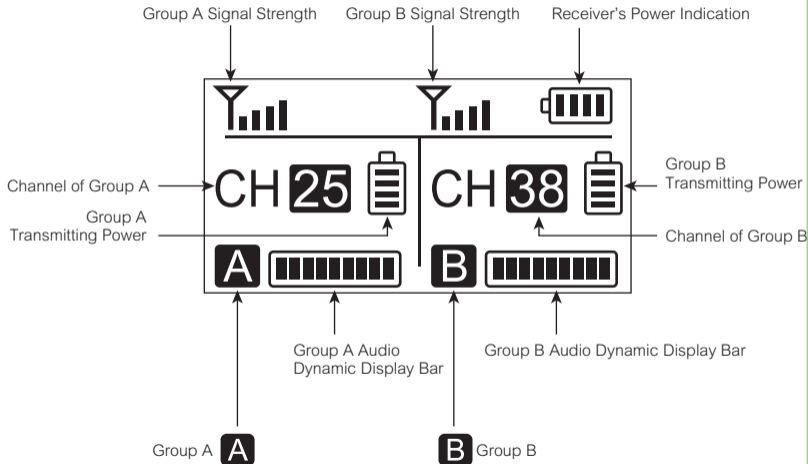


11. USB-C Charging Port

Connect the receiver with the 5V power through the USB A-USB C charging cable to charge



Receiver (RX) Screen Display Instruction:



Receiver (RX) Operation Instruction:

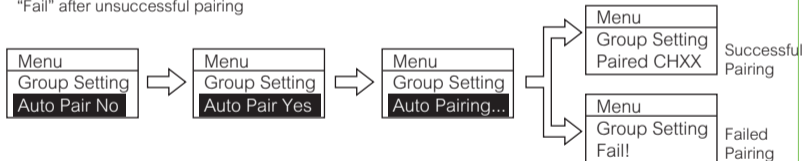
1. Auto Pairing of Group A/B

1.1 Short press  button to "setting" display page; press   button to Auto Pair mode of Group A or Group B

Menu
Group A
Auto Pair Yes

Menu
Group B
Auto Pair Yes

1.2 Short press  button for adjustment, press   button to select whether or not pairing, then short press  to confirm. It will show "Paired CHXX" to prompt the channel of Paired after successful pairing; it will show "Fail" after unsuccessful pairing



Please turn on the transmitter and make sure the IR sensor are closely aligned when pairing or it may cause failed pairing!

1.3 Short press  button to back to home screen (The operation methods for other interfaces are the same as above)

2. Manual Pairing of Group A/B

Short press  button to "setting" display page, use   button to manually adjust the channel of A/B Group, short press  button for adjustment, then use   button to select the channel, short press  button to confirm and complete the pair

Menu	Menu
Group A	Group B
Manu Pair 12	Manu Pair 08

3. Volume Adjustment

Group A/B Volume Adjustment

Menu
Group A
Volume 12

4. 'Stereo/Mono' Mode Adjustment

A channel is the left channel and B channel is the right channel in Stereo Mode. Please attention that it can not realize STEREO function when in single channel mode

Menu
Output Mode
Stereo

(Stereo)

Menu
Output Mode
Mono

(Mono)

5. Screen Flip Function

You can flip the screen 180 degrees to use according to different scenes

Menu
Screen Flip
Off

(Normal Display)

On
Screen Flip
Menu

(After Screen Flips 180 Degrees)

Pairing Method

Dual-Channel Mode:

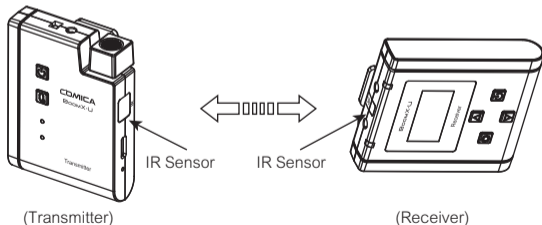
1. Set the display page to A/B Group Pairing

Menu
Group A
Pair Yes

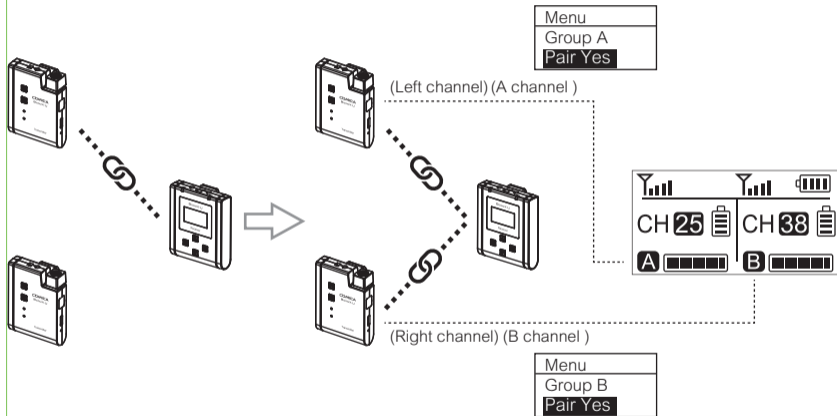
or

Menu
Group B
Pair Yes

2. Keep the receiver and transmitter's IR sensor are closely aligned before pairing



3. Use the pairing function to pair the two transmitters respectively for the A/B Group



Specification

Transmitter (TX)

Antenna	PCB Antenna
Polar Pattern	Omnidirectional
Frequency Response	80Hz ~ 20kHz
Sound Delay	<20ms
External Mic Input Interface	3.5mm TRS
Battery	Li-ion Battery 600mAh 3.7V
Battery Life	6 Hours
Net Weight	47g
Dimension	49 x 22 x 66mm
Operating Temperature	0°C ~ 50°C
Storage Temperature	-20°C ~ 60°C

Receiver (RX)

Antenna	PCB Antenna
Receiving Sensitivity	-90dBm
Sound Delay	<20ms
External Mic Input Interface	3.5mm TRS
Monitor Interface	3.5mm TRS/TRRS
Battery	Li-ion Battery 600mAh 3.7V
Battery Life	6 Hours
Net Weight	55g
Dimension	49 x 22 x 66mm
Operating Temperature	0°C ~ 50°C
Storage Temperature	-20°C ~ 60°C

FCC Statement

This device complies with part 15 of the FCC rules. Operation is subject to the following two conditions: (1) this device may not cause harmful interference, and (2) this device must accept any interference received, including interference that may cause undesired operation.

Changes or modifications not expressly approved by the party responsible for compliance could void the user's authority to operate the equipment.

NOTE: This equipment has been tested and found to comply with the limits for a Class B digital device, pursuant to part 15 of the FCC Rules. These limits are designed to provide reasonable protection against harmful interference in a residential installation. This equipment generates uses and can radiate radio frequency energy and, if not installed and used in accordance with the instructions, may cause harmful interference to radio communications. However, there is no guarantee that interference will not occur in a particular installation. If this equipment does cause harmful interference to radio or television reception, which can be determined by turning the equipment off and on, the user is encouraged to try to correct the interference by one or more of the following measures:

- Reorient or relocate the receiving antenna.
- Increase the separation between the equipment and receiver.
- Connect the equipment into an outlet on a circuit different from that to which the receiver is connected.
- Consult the dealer or an experienced radio/TV technician for help.

The device has been evaluated to meet general RF exposure requirement. The device can be used in portable exposure condition without restriction.

ISED Statement

- English: This device complies with Industry Canada license - exempt RSS standard(s). Operation is subject to the following two conditions: (1) This device may not cause interference, and (2) This device must accept any interference, including interference that may cause undesired operation of the device.

The digital apparatus complies with Canadian CAN ICES - 3 (B)/NMB - 3(B).

- French: Le présent appareil est conforme aux CNR d'Industrie Canada applicables aux appareils radio exempts de licence. L'exploitation est autorisée aux deux conditions suivantes: (1) l'appareil ne doit pas produire de brouillage, et (2) l'utilisateur de l'appareil doit accepter tout brouillage radioélectrique subi, même si le brouillage est susceptible d'en compromettre le fonctionnement.

l'appareil numérique du ciem conforme canadien peut - 3 (b) / nmb - 3 (b).

This device meets the exemption from the routine evaluation limits in section 2.5 of RSS 102 and compliance with RSS 102 RF exposure, users can obtain Canadian information on RF exposure and compliance.

cet appareil est conforme à l'exemption des limites d'évaluation courante dans la section 2.5 du cnr - 102 et conformité avec rss 102 de l'exposition aux rf, les utilisateurs peuvent obtenir des données canadiennes sur l'exposition aux champs rf et la conformité.

This equipment complies with Canada radiation exposure limits set forth for an uncontrolled environment. This equipment should be installed and operated with minimum distance 20cm between the radiator & your body.

Cet équipement est conforme Canada limites d'exposition aux radiations dans un environnement non contrôlé. Cet équipement doit être installé et utilisé à distance minimum de 20cm entre le radiateur et votre corps.

This device meets the exemption from the routine evaluation limits in section 2.5 of RSS 102 and compliance with RSS 102 RF exposure, users can obtain Canadian information on RF exposure and compliance.

cet appareil est conforme à l'exemption des limites d'évaluation courante dans la section 2.5 du cnr - 102 et conformité avec rss 102 de l'exposition aux rf, les utilisateurs peuvent obtenir des données canadiennes sur l'exposition aux champs rf et la conformité.

This equipment complies with Canada radiation exposure limits set forth for an uncontrolled environment. This equipment should be installed and operated with minimum distance 0mm between the radiator & your body.

Cet équipement est conforme Canada limites d'exposition aux radiations dans un environnement non contrôlé. Cet équipement doit être installé et utilisé à distance minimum de 0mm entre le radiateur et votre corps.