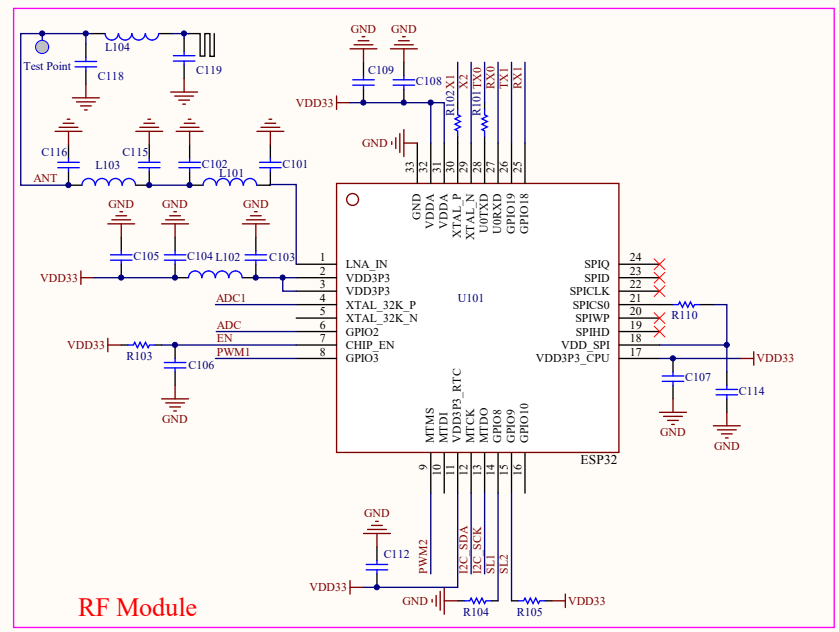
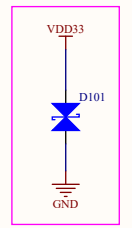
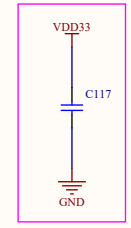
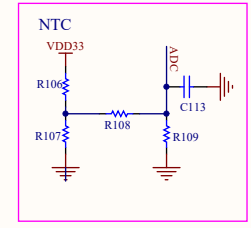
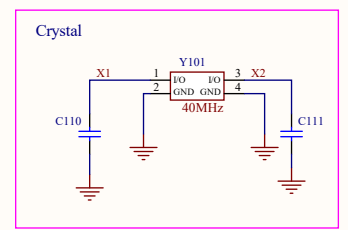
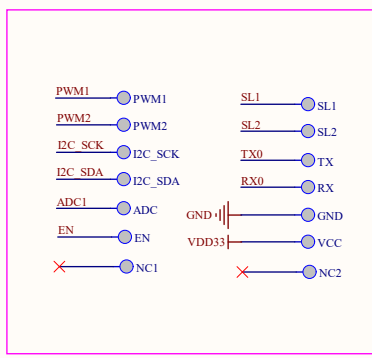


3.3V



RF Module



Title		
Size	Number	Revision
A3		
Date:	2022/12/20	Sheet of
File:	C:\Users\d-br\A30-01-A-V2.2	SDown By:

V1.0