

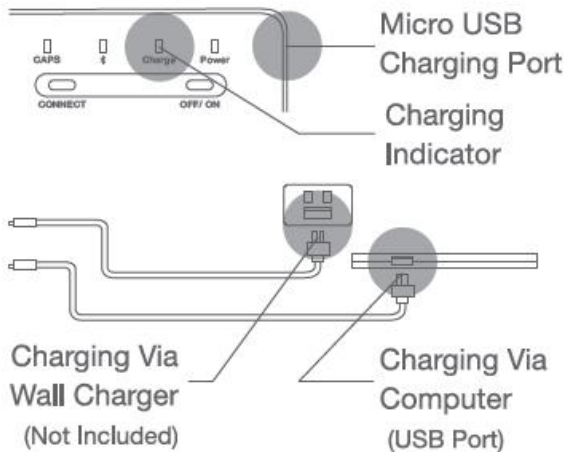
User manual

Foldable bluetooth keyboard

Model: VAP-888

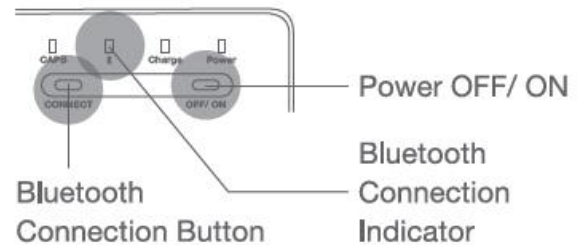
Product Introduction

- Please fully charge the Foldable Bluetooth Tablet Keyboard before use. It takes approximately 2 hours to charge an empty battery. Make sure your Bluetooth Tablet Keyboard is turned OFF.



- **Charging Via Wall Charger:** Connect one end of the cable to the Micro USB port and the other end to the wall charger.
- **Charging Via Computer:** Connect one end of the cable to the Micro USB port and the other end to the computer's USB port.
- While the Bluetooth Keyboard is charging, the charging indicator will be red. Once fully charged, the charging indicator will turn off.
- To extend the life of the battery, turn off the keyboard while charging.

- Bluetooth Function will turn off when you switch to Airplane Mode.
- Connecting to Bluetooth (See the Figure)



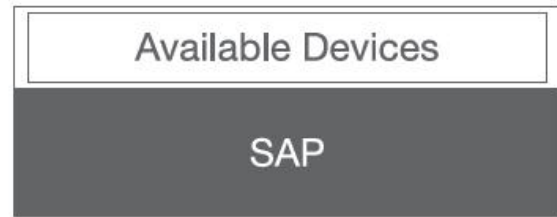
- Follow the instructions to "Pair" your devices for initial use. Once you have paired your Tablet (Device), you do not need to repeat the pairing process, the keyboard will automatically connect to the Tablet (Device) when both devices are switched on. If using your Bluetooth Keyboard with another device, you must repeat the pairing process again.

1. Turn on your Bluetooth Keyboard by switching the power button from OFF to ON.
2. Turn on your tablet's Bluetooth function by going to Settings > Wireless & Networks. Slide the Bluetooth slider from OFF to ON.
3. Press the Bluetooth Connection Button on the keyboard,

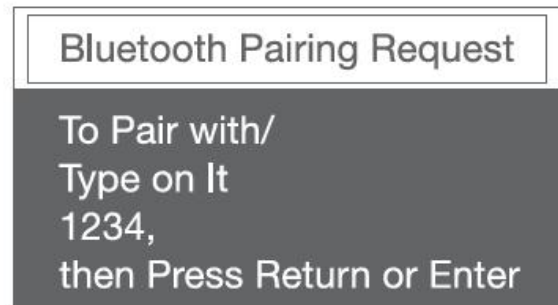
then release it. The blue LED light (Bluetooth Connection Indicator) will start flashing while attempting to connect to the tablet.

4. On the tablet, click on "Search for Device" or "Scan" button and the tablet will take a moment to search for the Bluetooth Keyboard.
5. Once the scan result list shows up, click on the name of the device (See Figure A).
6. Once connected, a dialog window will pop up (See Figure B), please follow the instructions and type in the requested number on your Bluetooth Keyboard to complete the pairing process. If there is no pairing number, you can input a code, ex. 1234, then press Enter or Return on your tablet, and do the same process on Bluetooth Keyboard.
7. "Connected to Input Device" will display on your tablet (See Figure C) when the devices have successfully paired. Now you may use your Bluetooth Keyboard.

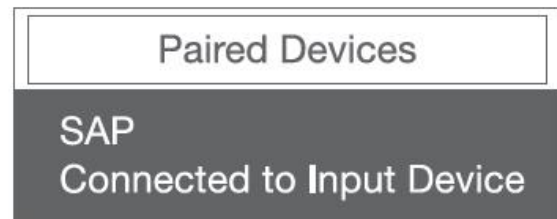
• **Figure A**



• **Figure B**



• **Figure C**



CAUTION

- Clean the keyboard with water, alcohol or alcohol based disinfectant.
- Keep away from sharp objects.
- Do not put heavy objects on the keyboard.
- Keep away from heat and fire.
- Keep away from any chemical liquids.

- **System Switch**

Switch system before use

1. Fn + E = iOS (7.0 above)
2. Fn+ Q= Android (4.0 above)
3. Fn+ W= Windows (Win98 above)

- **Switch Input**

1. two ways in iOS

- * command+ space (iOS 8.0 below)
- * control+ space (iOS 9.0 above)

2. three ways in Android

- * shift+ space
- * control+ space
- * control+ shift
- * If you can't switch Input, please switch it on tablet directly.

3. two ways in Windows

- * control+ space
- * control+ shift
- * If you can't switch Input, please switch it on tablet directly.



FCC Statement

This device complies with Part 15 of the FCC rules. Operation is subject to the following two conditions: 1) this device may not cause harmful interference, and 2) this device must accept any interference received, including interference that may cause undesired operation.

Note: This equipment has been tested and found to comply with the limits for a Class B digital device, pursuant to part 15 of the FCC Rules. These limits are designed to provide reasonable protection against harmful interference in a residential installation.

This equipment generates uses and can radiate radio frequency energy and, if not installed and used in accordance with the instructions, may cause harmful interference to radio communications. However, there is no guarantee that interference will not occur in particular installation. If this equipment does cause harmful interference to radio or television reception, which can be determined by turning the equipment off and on, the user is encouraged to try to correct the interference by one or more of the following measures:

- Reorient or relocate the receiving antenna.
- Increase the separation between the equipment and receiver.
- Connect the equipment into an outlet on a circuit different from that to which the receiver is connected.
- Consult the dealer or an experienced radio/TV technician for help.

Changes or modifications not expressly approved by the party responsible for compliance could void the user's authority to operate the equipment.

FCC RF Radiation Exposure Statement

The device has been evaluated to meet general RF exposure requirement. The device can be used in portable exposure condition without restriction.