

H61 MANUAL 书本式说明书

SIZE: 85MM X 55MM X 28PAGE
UPDATE: 2021.12.30

印刷须知:在指定区域裁减,划痕,折叠和粘贴胶水。
PRESS WORK / NOTES: Trim to size, score, fold & glue in specified areas

glue 胶水
trim 裁减
fold 折叠

不要印刷刀模线和尺寸标注
DO NOT PRINT DIE LINES or DIMENSION

说明书工艺要求:
材质:使用128g铜版纸,印刷内容如设计稿所示。封面封底过哑胶。
装订形式:书本式,骑马钉结构

ARTWORK NOTES:
MATERIAL: 128G artpaper, printing content as shown in the design file.Cover and back cover use matte film.
NOTES:
book-style, horse-riding nail structure

封面 FRONT COVER

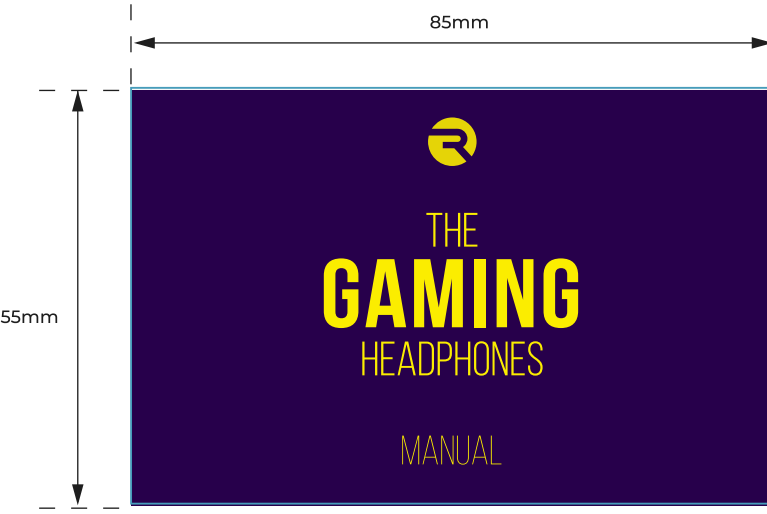


TABLE OF CONTENTS	
INTRODUCTION	1
UNIT AT A GLANCE	2
FEATURES AT A GLANCE	4
QUICK START GUIDE	5
FUNCTIONS	10
SOUND PROFILES	12
HAPTECH IMMERSIVE SPEAKERS & LED LIGHTS	13
TROUBLESHOOTING	14
SAFETY GUIDELINES	15
FAQ & ADDITIONAL RESOURCES	17
SUPPORT	17
LIMITED WARRANTY	17
SPECIFICATIONS	18

INTRODUCTION

Welcome to your new Raycon Gaming Headphones! At Raycon, we develop and design innovative electronics so you can move and conquer your daily fast-paced life. Before using your product, we strongly encourage you to fully read through this user guide. You can also visit our support center at www.rayconglobal.com/support The web page has more specific guidelines and helpful videos for you to navigate your product. For best performance, charge fully before first use.

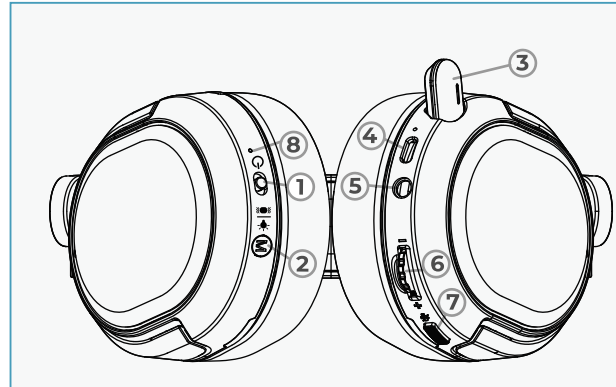
Pairing ID: BT-The Gaming Headphones (Bluetooth)
2.4G-The Gaming Headphones (2.4GHz)

UNIT AT A GLANCE

- | | |
|---------------------------------|------------------|
| 1. Power On/Off/Multifunction | 5. AUX Port |
| 2. Multifunction/Sound Profiles | 6. Volume Wheel |
| 3. Retractable Microphone | 7. Mute Button |
| 4. Charging Port | 8. LED Indicator |

INCLUDED

- | | |
|-------------------------|-------------------------|
| · The Gaming Headphones | · USB Transmitter |
| · User Manual | · Type-C Charging Cable |
| · 3.5mm Audio Cable | |



FEATURES AT A GLANCE

- SPATIAL AUDIO AND SURROUND SOUND**
Transport to a fully immersive soundstage of 360 degree audio.
 - MULTI-PLATFORM COMPATIBILITY**
Wherever you game, the gaming headphones are ready for you.
 - DUAL WIRELESS CONNECTIVITY: LOSSLESS 2.4GHZ AND BLUETOOTH WITH HYPERSYNC**
Never worry about being out of sync when you game, connect with either Lossless 2.4Ghz or HyperSync.
- HAPTECH IMMERSIVE SPEAKERS THREE SOUND PROFILES RETRACTABLE HD MICROPHONE

QUICK START GUIDE

1. Toggle Power Switch to middle position to power on. Headphones will enter pairing mode automatically.
-

2. For Bluetooth Connection: On the source device, go to Bluetooth settings, and ensure Bluetooth is on. Search for "BT-The Gaming Headphones" and select it to pair.

For 2.4GHz connection: Insert USB Transmitter into compatible device. If headphones do not connect automatically, search for 2.4G-The Gaming Headphones in the settings of the source device.

For AUX Connection: Connect the headphones to the source device using the provided Audio Cable. All media functions, except volume, are controlled from the source device. LED Lighting is also disabled.

3. Enjoy your Raycon Gaming Headphones!

3.5MM AUX CONNECTION FOR GAMING CONSOLE DEVICE

2.4GHZ WIRELESS CONNECTION FOR PC, MAC, PS4

FUNCTIONS

SWITCH CONTROL	
	Power On / Off
	Light On / Off
	Vibration On / Off
	Switch Up
	Switch Down
	Hold Up
	Push Up

BUTTON CONTROL	
	Mute On / Off
	Play / Pause
	Next
	Previous
	Disconnect
	Sound Profiles
	Answer / End a Call
	Hold for 3 seconds
	Press

MUTE BUTTON	
Mute On / Off	Press

MEDIA PLAYER CONTROL	
	Play / Pause
	Next
	Previous
	Disconnect
	Volume Up / Down
	Turn

SOUND PROFILES

Your sound, your way! As our sound profiles were crafted by artists and producers at the top of the industry, you're in good hands.

Sound Profile	Description
Pure Sound	Our most refined sound, perfect clarity to hear every single note.
Balanced Sound	A leveled sound that is great for all around performance and warmth.
Bass Sound	Our bass boosted sound, great for songs with strong beats and a go-to for bass lovers.

M Sound Profiles Hold for 3 seconds

Note: Sound Profiles inactive when using AUX Connection.

HAPTECH IMMERSIVE SPEAKERS

For an even deeper experience, toggle on the HapTech Immersive Speakers for audio you can feel. Push Up to toggle HapTech on/off.

LED LIGHTING

Toggle on the LED Lighting to add additional flare to your gaming experience. Hold up to toggle LED Lighting on/off.

Note: LED Lighting disabled when using AUX connection to reduce risk of electric shock.

TROUBLESHOOTING

Cannot Pair with source device

For 2.4G Connections: Power off headphones. Reset USB Transmitter by Holding button on USB transmitter until LED blinks red and blue. Press button on USB receiver again to enter pairing mode. LED will be solid red. Connect to source device using steps in Quick Start Guide

SAFETY GUIDELINES

Please follow the safety guidelines below at all times when operating or caring for your device.

- Be wary of any edges, uneven surfaces, and metal parts, including on accessories and product packaging, to prevent any possible injury or damage.
- Listen to music at a proper volume to avoid damaging your hearing and the headphones.
- Do not store in high temperatures, such as in a hot vehicle or in direct sunlight.

- Do not expose the headphones or any of its supplied parts to rain or other liquids for extended periods of time. Follow IPX Rating guidelines.
- Do not drop or cause undue impact to the headphones.
- Do not modify, repair, or dismantle the product on your own.
- Do not use any dilutant or volatile liquid to clean the product.
- Do not use the product in a hazardous location.

FAQ & ADDITIONAL RESOURCES

Visit: www.rayconglobal.com/support

SUPPORT

If your device is not functioning correctly, please visit www.rayconglobal.com/support for customer support, and we will be more than happy to help you.

LIMITED WARRANTY

Visit: www.rayconglobal.com/warranty

SPECIFICATIONS

Model Number: RBH861 Dongle, RBH861 Pro Dongle
2.4GHz Pairing Name: 2.4G-The Gaming Headphones
Bluetooth Pairing Name: BT-The Gaming Headphones
RDID: D861-22E-Q222
Bluetooth Version: 5.2
Power Input: DC 5V/1A
Li-battery Capability: 1000mAh
Playtime: About 25 hours
Charging Time: About 1 hours
Support Profile: A2DP /AVRCP /HFP /HSP
Frequency Response: 20Hz-20KHz
Bluetooth Operating Range: ≤ 10 m

FCC WARNING

This device complies with part 15 of the FCC Rules. Operation is subject to the following two conditions: (1) this device may not cause harmful interference, and (2) this device must accept any interference received, including interference that may cause undesired operation. Any changes or modifications not expressly approved by the party responsible for compliance could void the user's authority to operate the equipment.

NOTE: This equipment has been tested and found to comply with the limits for a Class B digital device, pursuant to Part 15 of the FCC Rules. These limits are designed to provide reasonable protection against harmful interference in a residential installation. This equipment generates, uses, and

can radiate radio frequency energy and, if not installed and used in accordance with the instructions, may cause harmful interference to radio communications. However, there is no guarantee that interference will not occur in a particular installation.

If this equipment does cause harmful interference to radio or television reception, which can be determined by turning the equipment off and on, the user is encouraged to try to correct the interference by one or more of the following measures:

- Reorient or relocate the receiving antenna.
- Increase the separation between the equipment and receiver.

- Connect the equipment into an outlet on a circuit different from that to which the receiver is connected.

- Consult the dealer or an experienced radio/TV technician for help. The device has been evaluated to meet general RF exposure statement. The device can be used in portable exposure condition without restriction

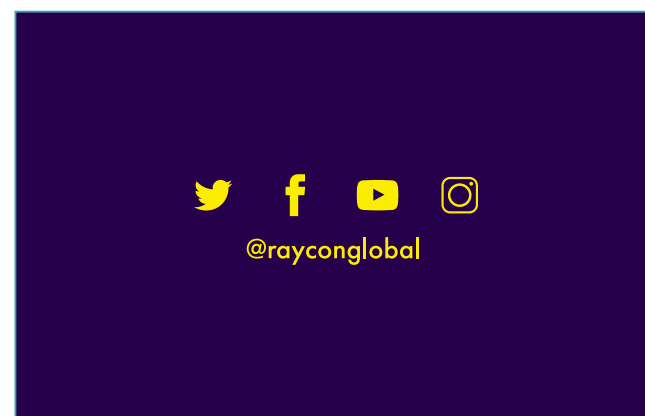
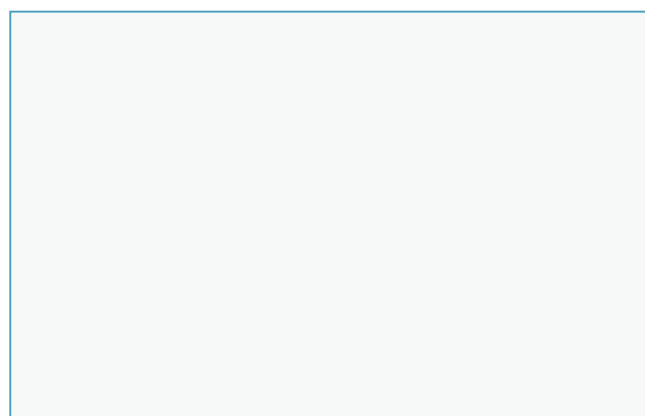
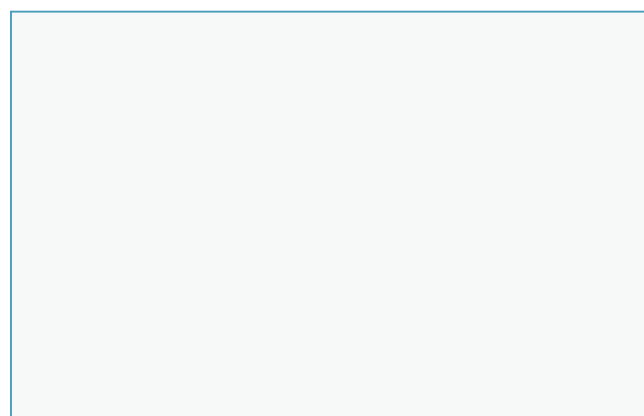
IC CAUTION:

- English:
This device complies with Industry Canada licence-exempt RSS standard(s).
Operation is subject to the following two conditions:
(1) This device may not cause interference, and

(2) This device must accept any interference, including interference that may cause undesired operation of the device.

- French:
Le présent appareil est conforme aux CNR d'Industrie Canada applicables aux appareils radio exempts de licence. L'exploitation est autorisée aux deux conditions suivantes:
(1) l'appareil ne doit pas produire de brouillage, et
(2) l'utilisateur de l'appareil doit accepter tout brouillage radioélectrique subi, même si le brouillage est susceptible d'en compromettre le fonctionnement.

FCC ID: 2AZOV-RBH861USB
IC: 27185-RBH861USB



封底 BACK COVER