



## THE MAGIC PAD PRO

RAPWIR300

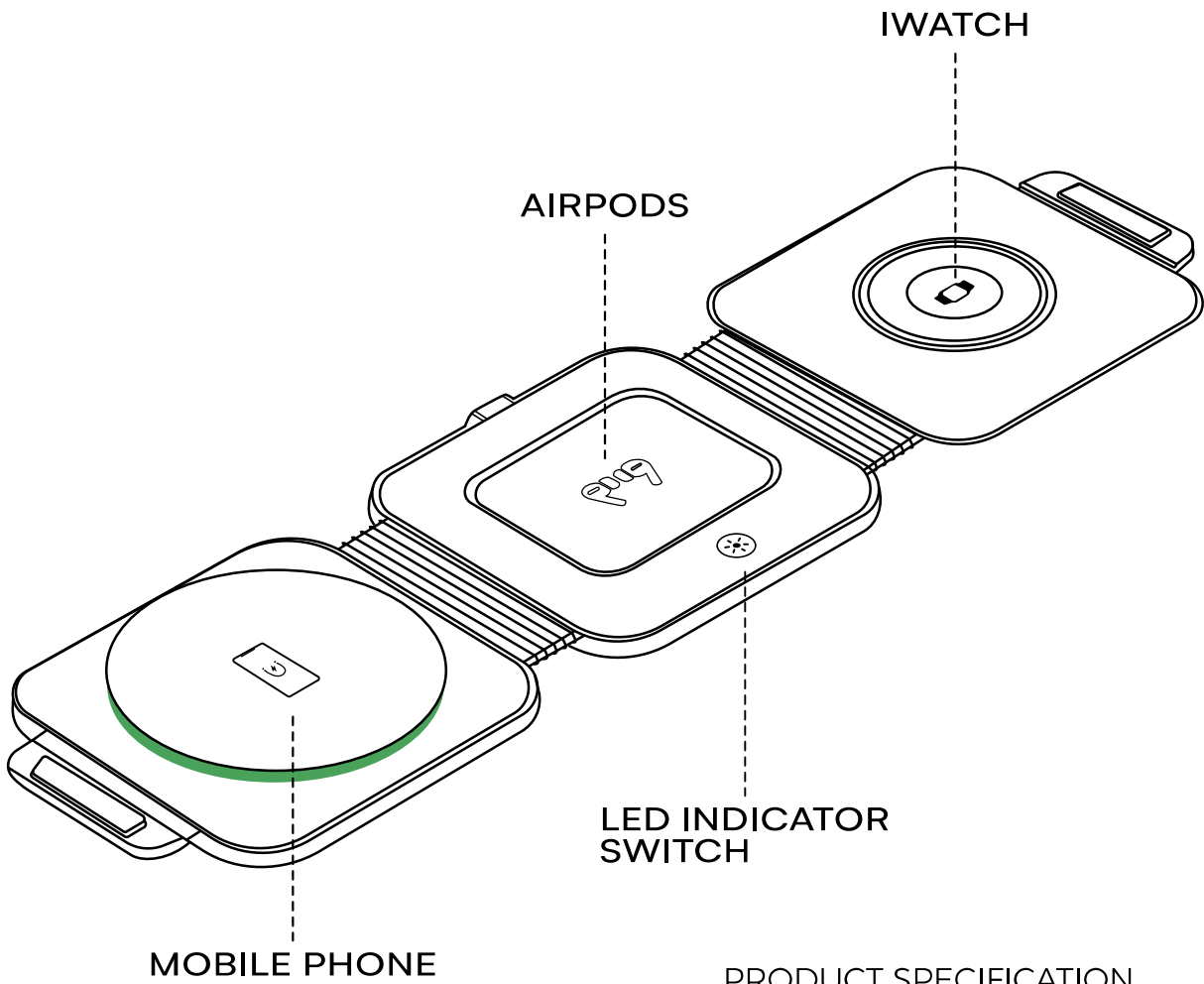
IC:27185-RAPWIR300

FCC ID:2AZOV-RAPWIR300

# QUICK START GUIDE



## PAD SELECTION



### PRODUCT SPECIFICATION

Input: 9V/2A

Output(Phone):15W(Max10W/7.5W/5W)

Output(iWatch): 2.5W(Max)

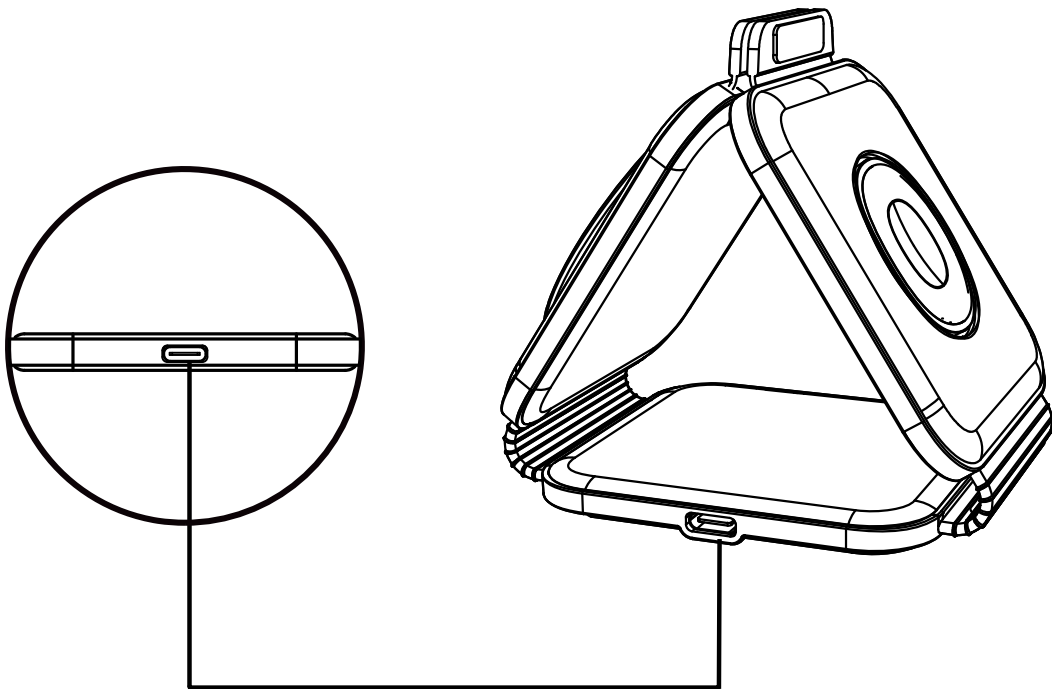
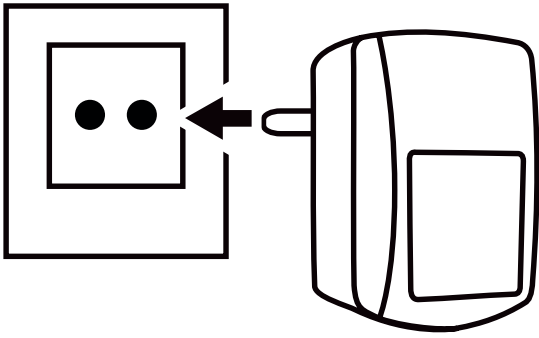
Output(Earbuds):3.0W(Max)

Input Port: Type-C

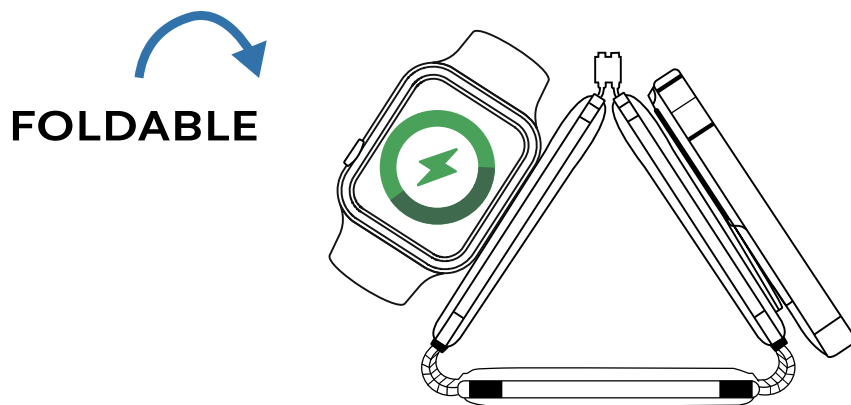
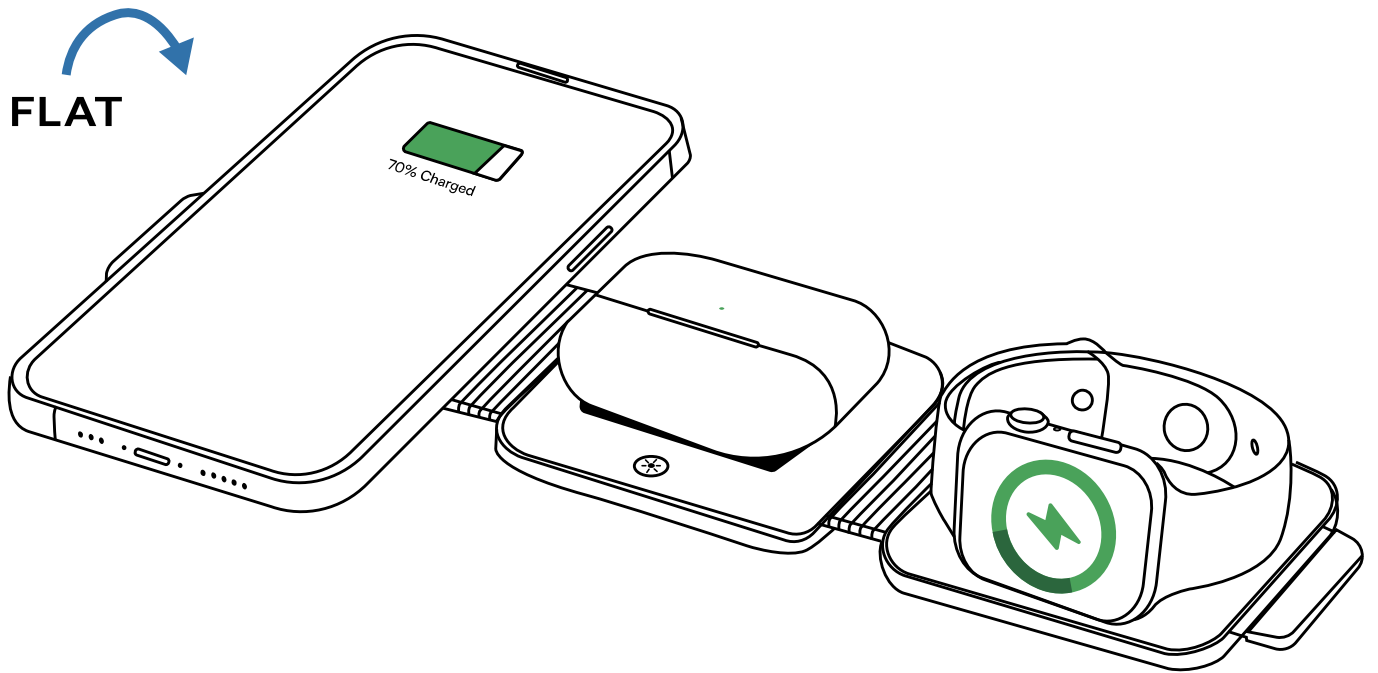
Conversion Rate:  $\geq 73\%$ (Phone)

Product Size:97\*72.4\*25mm(fold)

## PLUG IN THE PAD



## HOW TO USE



## FCC WARNING

This device complies with part 15 of the FCC Rules. Operation is subject to the following two conditions: (1) this device may not cause harmful interference, and (2) this device must accept any interference received, including interference that may cause undesired operation. Any changes or modifications not expressly approved by the party responsible for compliance

could void the user's authority to operate the equipment.

NOTE: This equipment has been tested and found to comply with the limits for a Class B digital device, pursuant to Part 15 of the FCC Rules. These limits are designed to provide reasonable protection against harmful interference in a residential installation. This equipment generates, uses and can radiate radio frequency energy and, if not installed and used in accordance with the instructions, may cause harmful interference to radio communications. However, there is no guarantee that interference will not occur in a particular installation. If this equipment does cause harmful interference to radio or television reception,

which can be determined by turning the equipment off and on, the user is encouraged to try to correct the interference by one or more of the following measures:

- Reorient or relocate the receiving antenna.
- Increase the separation between the equipment and receiver.
- Connect the equipment into an outlet on a circuit different from that to which the receiver is connected.
- Consult the dealer or an experienced radio/TV technician for help.

To maintain compliance with FCC's RF Exposure guidelines, This equipment should be installed and operated with minimum distance between 20cm the radiator your body: Use only the supplied antenna.

IC Warning statement:

This device contains licence-exempt transmitter(s)/receiver(s) that comply with Innovation, Science and Economic Development Canada's licence-exempt RSS(s). Operation is subject to the following two conditions:

1. This device may not cause interference.
2. This device must accept any interference, including interference that may cause undesired operation of the device.

L'émetteur/récepteur exempt de licence contenu dans le présent appareil est conforme aux CNR d'Innovation, Sciences et Développement économique Canada applicables aux appareils radio exempts de licence. L'exploitation est autorisée aux deux conditions suivantes:

1. L'appareil ne doit pas produire de brouillage;
2. L'appareil doit accepter tout brouillage radioélectrique subi, même si le brouillage est susceptible d'en compromettre le fonctionnement.

IC RF exposure statement:

This equipment complies with IC Radiation exposure limit set forth for uncontrolled environment.

This equipment should be installed and operated with a minimum distance of 10cm between the product and your body.

IC RF Déclaration de exposition:

Este equipo cumple con los límites de exposición a radiación por radiofrecuencia de la IC

estipulados para un ambiente no controlado. Este equipo deberá instalarse y utilizarse con una distancia mínima de 10 cm entre el radiador y el cuerpo.



## FULL USER MANUAL



<https://rayconglobal.com/pages/everyday-wireless-charging-pad-pro-user-manual>