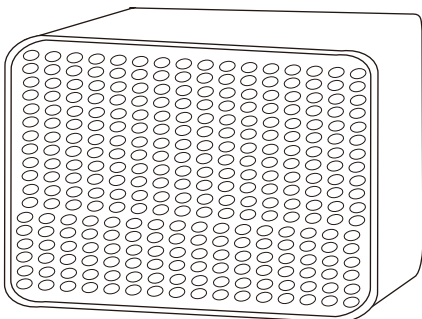


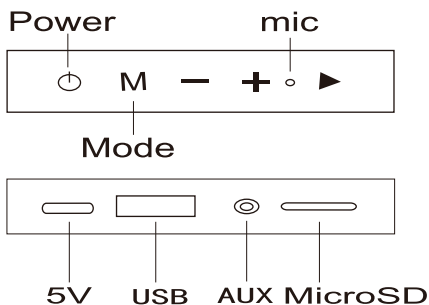
# Wireless Speaker

Manufacturer: Lifeguard Press, Inc

Address: 134 Beech Bend Rd. Bowling Green, KY 42101



## Speaker:



\*Short press to change mode. Long press for power on/off.  
Mode : Bluetooth > Mp3 > Line in

## cable:



Micro USB



3.5mm



USB

## Bluetooth:

- 1) Turn on the power by long press power button for 3 second.
- 2) The bluetooth pairing mode will initiate (The blue led signal light will flash quickly)
- 3) Search and connect the bt speaker from your mobile device.
- 4) After successfully paired , the blue led signal will flash slowly.
- 5) Control the music from your mobile phone.

### MP3:

- 1) Turn on the power by long press power button for 3 second.
- 2) Insert MicroSD card into the slot. The Mp3 music will auto play.
- 3) Insert USB drive card into the slot. The Mp3 music will auto play.
- 4) Control the music with the control panel.
- 5) Listen music with speaker / headphone ( not included )

### Line - in:

- 1) Turn on the power by long press power button for 3 second.
- 2) Plug the 3.5mm into AUX socket. ( The blue led signal light will keep on )
- 3) Plug the 3.5mm into headset socket of your music device.
- 4) Control and play music with your music device.

### Charging:

- 1) Plug the micro USB into the 5V slot.
- 2) Plug the USB into the USB port of battery charging, the signal light will turn red.

### Switching mode:

- 1) Bluetooth > Mp3 > Line in
- 2) Short press the M button to switch mode from Bluetooth to Mp3 , then to Line in mode.
- 3) When MicroSD card an USB drive is inside the slot, it will autoplay the MP3.

### Specification:

Bluetooth version 5.0

Frequency Range:100Hz-20KHz

Operating Distance:10meters

Microphone:Built in

Power Rating:3W

SNR: ≥ 85+2dB

Charging Voltage:DC 5V

Battery Capacity:600mAH

Charge Time:Approx. 2hours

Playback Time:Approx. 6hours (around in 60%sound level)

Housing Material:ABS+Meta

This device complies with Part 15 of the FCC Rules. Operation is subject to the following two conditions: (1) this device may not cause harmful interference, and (2) this device must accept any interference received, including interference that may cause undesired operation.

**Warning:** Changes or modifications to this unit not expressly approved by the party responsible for compliance could void the user authority to operate the equipment.

Notes: This equipment has been tested and found to comply with the limits for a Class B digital device, pursuant to Part 15 of the FCC Rules. These limits are designed to provide reasonable protection against harmful interference in a residential installation. This equipment generates, uses and can radiate radio frequency energy and, if not installed and used in accordance with the instructions, may cause harmful interference to radio communications.

However, there is no guarantee that interference will not occur in a particular installation. If this equipment does cause harmful interference to radio or television reception, which can be determined by turning the equipment off and on, the user is encouraged to try to correct the interference by one or more of the following measures:

- Reorient or relocate the receiving antenna.
- Increase the separation between the equipment and receiver.
- Connect the equipment into an outlet on a circuit different from that to which the receiver is connected.
- Consult the dealer or an experienced radio/TV technician for help.

Note: If shielded cables or special accessories are required for compliance, a statement must be included which instructs the user to employ them, for example, shielded cables must be used with this unit to ensure compliance with the Class B FCC limits.