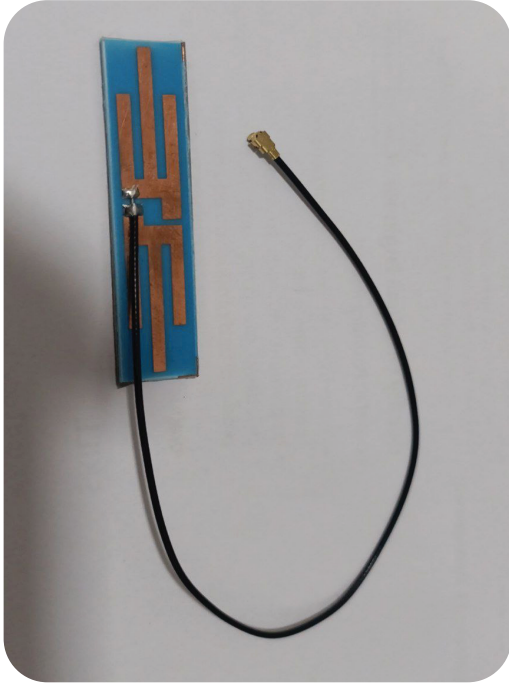


# Dual Band Internal PCB Omni Antenna (2.4-2.484 GHz & 5.18-5.850 GHz)

HFDBD-PBPCANT-3-5-0.110



## Electrical Parameters

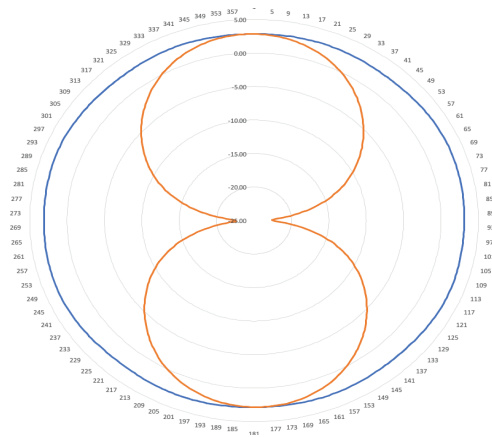
Frequency (MHz)	2400 - 2484	5180 - 5850
Gain (dBi)	3.5±0.5	5±0.5
VSWR (Typ)	1.5:1	1.5:1
VSWR (Max)	2.0:1	2.0:1
H Plane BW (°)	360	360
E Plane BW (°)	70 ± 5	70 ± 5
Polarization	Linear	
Max. Power Input (Watts)	10	
Impedance (Ω)	50	
Cable & Connector Termination	110 (+2mm tolerance) 1.37 mm cable UFL Female Connector	

## Environmental Parameters

Temperature Range (°C) (-) 40 to (+) 70

## Mechanical Parameters

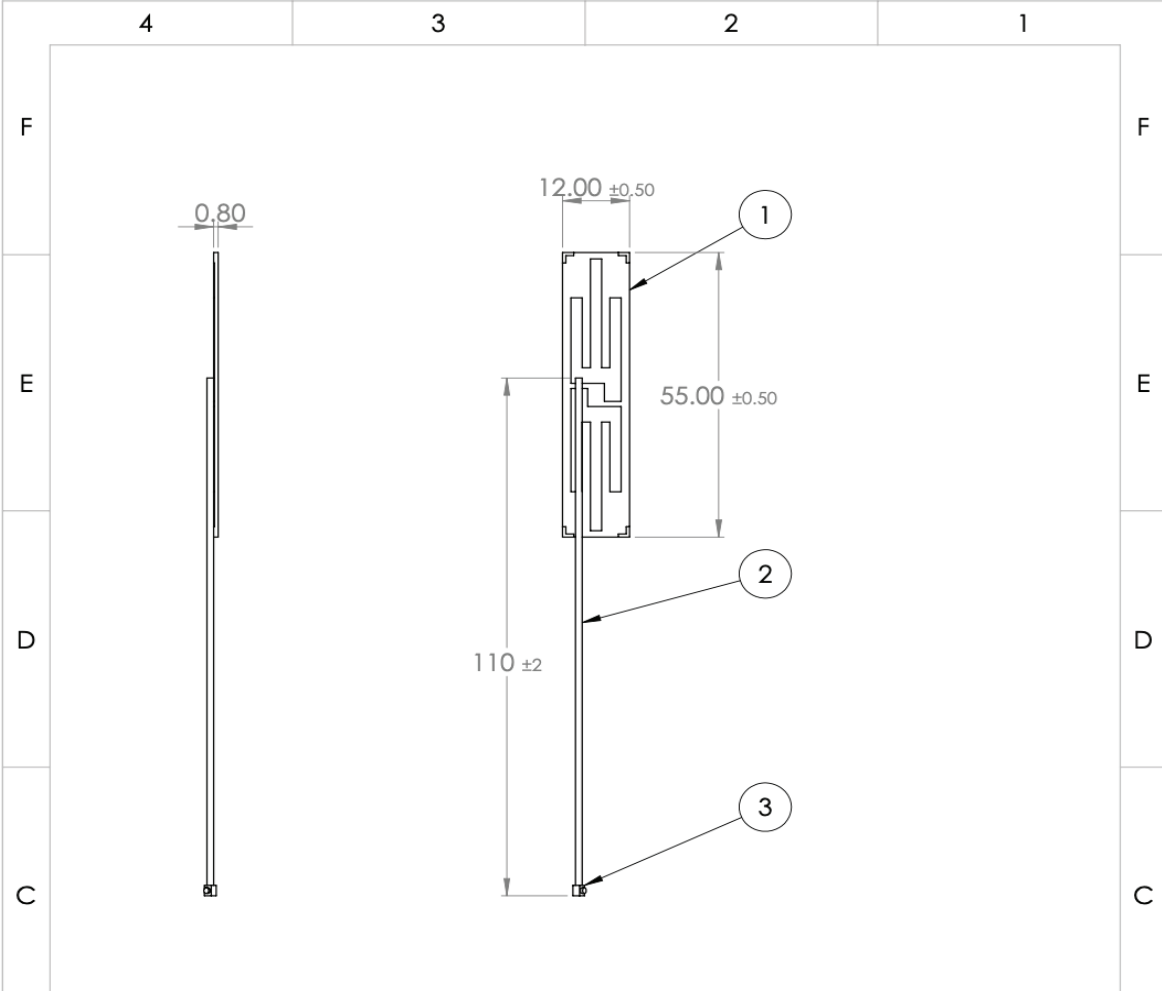
Dimension (mm)	55 X 12 X 0.8 (T)
Gross Weight (Grams)	5±2
Fixing Method	3M VHB 4941



Release date : 05/05/2023 Version : 1.0

# Dual Band Internal PCB Omni Antenna (2.4-2.484 GHz & 5.18-5.850 GHz)

## HFDBD-PBPCANT-3-5-0.110



SL No.	Description
1	Radiating PCB
2	RG 1.37 Cable(Black)
3	UFL Connector

	Project : 2.4-2.484 GHz & 5.18-5.850 GHz,Dual Band Internal Omni Antenna			
		Name	Date	Title :
This document is the proprietary of HFCL Limited and reproduction of Any kind is prohibited	APPD			Internal Omni Antenna
	CHKD	AL	3-02-23	
Unless specified All dimensions are in mm. LINEAR: ±0.1, ±0.05, ±0.005 ANGULAR: ±0.1	DRN	MT	3-02-23	Finish : N/A
				Qty : N/A
	Drg. No. : TM OM 2484 558 01		Scale : 1:1	
			A4 Sheet :01	