

TONOR

UHF Wireless Microphone Instruction Manual

TW360



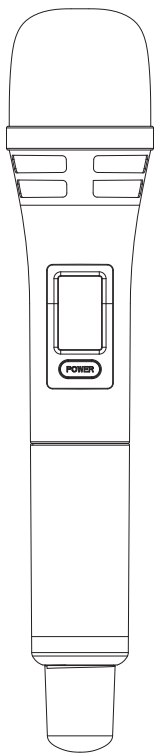
ABOUT THIS MANUAL

Thank you for purchasing TONOR wireless microphone. This manual is intended to help you understand all about this microphone and how to use it. TONOR always strives for the ultimate user experience. All our knowledge and passion for audio technology are incorporated into building microphones with high performance for you. The TONOR microphone is high quality and easy to use to achieve the best user experience.







Enjoy your microphone!

TONOR Team

Package Including



OPERATING ENVIRONMENTS & NOTES

-  When using this device, keep it away from water.
-  Use the device in ventilated environment, keep it away from fire.
-  Since it's a wireless device, please keep it away from other interfering sources.
-  Don't take apart the device.
-  Please use the standard power supply, high voltage may damage the device.
-  Please place the used batteries into the recycle bin, don't litter them.

SPECIFICATIONS

Frequency Response: 40Hz-18Khz

Maximum Radio-frequency Power Transmitted: -5.14 dBm

Operating Frequency(US): A MIC: 902.8-908.2MHz

Operating Range: Up to 60m

Frequency Stability: ± 10 ppm

SNR: ≥ 90 dB

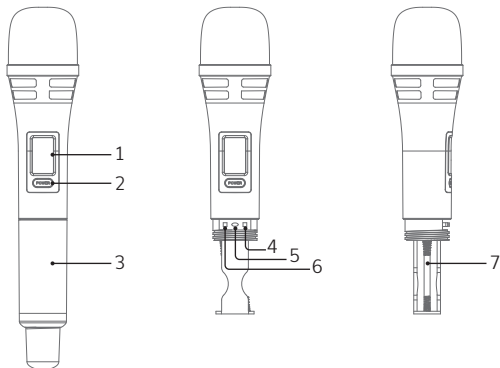
Sound Distortion: $\leq 0.5\%$

Mic Input Sensitivity: $-52\text{dB} \pm 3\text{dB}$ (0dB=1v/ μ bar at 1KHz)RF

Sensitivity: -95dBm

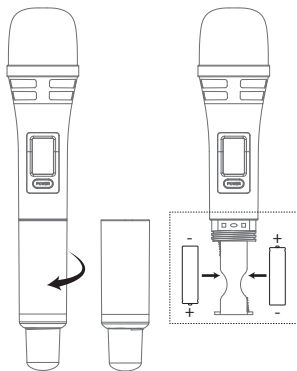
Operating Temperature: 0°C to +55°C

MICROPHONE OPERATION INSTRUCTION



As shown in the above pictures:

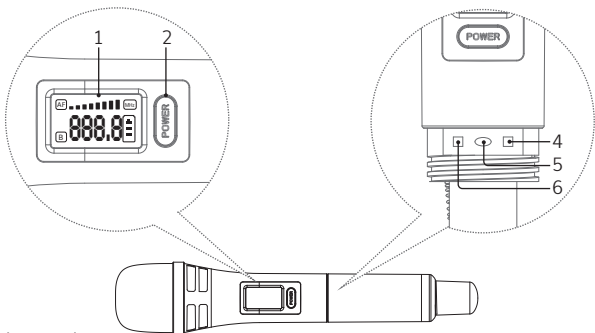
1. Display Screen
2. On/Off Switch
3. Tail Tube
4. Volume +
5. Setting Button
6. Volume -
7. Battery Compartment



Install 2*AA batteries before using the wireless microphone and the installation instruction is as follows:

1. Take down the tail tube of mic.
2. Install the batteries and tighten the tail tube of mic.

Note: The positive and negative polarity of the battery cannot be reversed.



Instruction:

1. Press button 2 to turn on. Press it for 2s to turn off.
2. Press the button 5, then the frequency on the screen will be changed.
3. Press button 4 or 6 to adjust volume.

WARRANTY

TONOR provides 2 years of after-sales service, free replacement to products that are NOT damaged resulting from accident, alteration, misuse, negligence, or abuse. If exceeding 30 days of Amazon return policy, you can still contact us through our Shopify TONOR-MIC. We will serve you with full sincerity!

Conditions and restrictions for using frequencies

Conditions and restrictions for using frequencies

There may be special conditions and restrictions for using frequencies in your country.

Before putting the product into operation, find the information for your country at the following address:

<https://www.tonormic.com/pages/permitted-frequency-bands>

FCC Statement

(US) (MX)

This device complies with part 15 of the FCC Rules. Operation is subject to the following two conditions:

- (1) This device may not cause harmful interference.
- (2) This device must accept any interference received, including interference that may cause undesired operation.

ISED Statement

(CA)

This device contains licence-exempt transmitter(s)/receiver(s) that comply with Innovation, Science and Economic Development Canada's licence-exempt RSS(s). Operation is subject to the following two conditions:

- (1) This device may not cause interference.
- (2) This device must accept any interference, including interference that may cause undesired operation of the device.

(FR)

L'émetteur/récepteur exempt de licence contenu dans le présent appareil est conforme aux CNR d'Innovation, Sciences et Développement économique Canada applicables aux appareils radio exempts de licence. L'exploitation est autorisée aux deux conditions suivantes:

- (1) L'appareil ne doit pas produire de brouillage;
- (2) L'appareil doit accepter tout brouillage radioélectrique subi, même si le brouillage est susceptible d'en compromettre le fonctionnement.

| Operating Frequency (US) | |
|--------------------------|--|
| A MIC | 902.8-908.2MHz (902.8MHz, 903.4MHz, 904MHz, 904.6MHz, 905.2MHz, 905.8MHz, 906.4MHz, 907MHz, 907.6MHz, 908.2MHz) |

 <https://www.tonormic.com>

 support@tonormic.com



Vous êtes responsable de remettre tous les appareils électriques et électroniques usagés à des points de collecte correspondants.

Pour en savoir plus:
www.quefairedemesdechets.fr

FUJIAN EASTWEST LIFEWIT TECHNOLOGY CO.,LTD | RM 1201-1205, BLD 18, 2ND PHASE OF INNOVATION PARK, FUZHOU 350108, CHINA

EASTWEST ELECTRONIC COMMERCE CO US LIMITED | 3500 SOUTH DUPONT HIGHWAY, SUITE G106 DOVER, DE 19901 UNITED STATES

LIFEWIT LIMITED | UNIT 2, VINCENT HOUSE, FIRCOFT WAY, EDENBRIDGE UNITED KINGDOM

Lifewit GmbH | Friedenstraße 5 97072 Wuerzburg Germany

MADE IN CHINA

WEEE ID: DE 57064210

FCC Caution:

This device complies with part 15 of the FCC Rules. Operation is subject to the following two conditions:

(1) This device may not cause harmful interference, and (2) this device must accept any interference received, including interference that may cause undesired operation.

Any changes or modifications not expressly approved by the party responsible for compliance could void the user's authority to operate the equipment.

NOTE: This equipment has been tested and found to comply with the limits for a Class B digital device, pursuant to Part 15 of the FCC Rules. These limits are designed to provide reasonable protection against harmful interference in a residential installation. This equipment generates, uses and can radiate radio frequency energy and, if not installed and used in accordance with the instructions, may cause harmful interference to radio communications. However, there is no guarantee that interference will not occur in a particular installation.

If this equipment does cause harmful interference to radio or television reception, which can be determined by turning the equipment off and on, the user is encouraged to try to correct the interference by one or more of the following measures:

-- Reorient or relocate the receiving antenna.

-- Increase the separation between the equipment and receiver.

-- Connect the equipment into an outlet on a circuit different from that to which the receiver is connected.

-- Consult the dealer or an experienced radio/TV technician for help.

The device has been evaluated to meet general RF exposure requirement. The device can be used in portable exposure condition without restriction.

ISED Statement:

English: This device contains licence-exempt transmitter(s)/receiver(s) that comply with Innovation, Science and Economic Development Canada's licence-exempt RSS(s).

Operation is subject to the following two conditions:

(1) This device may not cause interference.

(2) This device must accept any interference, including interference that may cause undesired operation of the device.

The digital apparatus complies with Canadian CAN ICES-3 (B)/NMB-3(B).

French: Cet appareil contient des émetteurs/récepteurs exempts de licence qui sont conformes aux RSS exemptés de licence d'Innovation, Sciences et Développement économique Canada.

L'exploitation est soumise aux deux conditions suivantes :

(1) Cet appareil ne doit pas provoquer d'interférences.

(2) Cet appareil doit accepter toute interférence, y compris les interférences susceptibles de provoquer un fonctionnement indésirable de l'appareil.

l'appareil numérique du clem conforme canadien peut - 3 (b) / nmb - 3 (b).

This device meets the exemption from the routine evaluation limits in section 2.5 of RSS 102 and compliance with RSS 102 RF exposure, users can obtain Canadian information on RF exposure and compliance.

cet appareil est conforme à l'exemption des limites d'évaluation courante dans la section 2.5 du cnr - 102 et conformité avec rss 102 de l'exposition aux rf, les utilisateurs peuvent obtenir des données canadiennes sur l'exposition aux champs rf et la conformité.

This equipment complies with Canada radiation exposure limits set forth for an uncontrolled environment.

Cet équipement est conforme aux limites d'exposition aux rayonnements du Canada établies pour un environnement non contrôlé.

This equipment should be installed and operated with minimum distance 0cm between the radiator & your body.

Cet équipement doit être installé et utilisé à une distance minimale de 0 cm entre le radiateur et votre corps.