

TONOR

WIRELESS MICROPHONE Instruction Manual

TW3A



RoHS

UK
CA



ABOUT THIS MANUAL

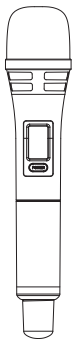
Thank you for purchasing TONOR wireless microphone. This manual is intended to help you understand all about this microphone and how to use it. TONOR always strives for the ultimate user experience. All our knowledge and passion for audio technology are incorporated into building microphones with high performance for you. The TONOR microphone is high quality and easy to use to achieve the best user experience.

Enjoy your microphone!







TONOR Team

Package Including

TW3A



OPERATING ENVIRONMENTS & NOTES

-  When using this device, keep it away from water.
-  Use the device in ventilated environment, keep it away from fire.
-  Since it's a wireless device, please keep it away from other interfering sources.
-  Don't take apart the device.
-  Please use the standard power supply, high voltage may damage the device.
-  Please place the used batteries into the recycle bin, don't litter them.

SPECIFICATIONS

Frequency Response: 40Hz-18Khz

Operating Frequency: A/902.8 MHz - 914 MHz

A: 902.8 MHz 903.6 MHz 904.4 MHz 905.2 MHz 906.0 MHz 906.8 MHz 907.6 MHz

908.4 MHz 909.2 MHz 910.0 MHz 910.8 MHz 911.6 MHz 912.4 MHz 913.2 MHz 914 MHz

Operating Range: Up to 60m

Frequency Stability: ± 10 ppm

SNR: ≥ 90 dB

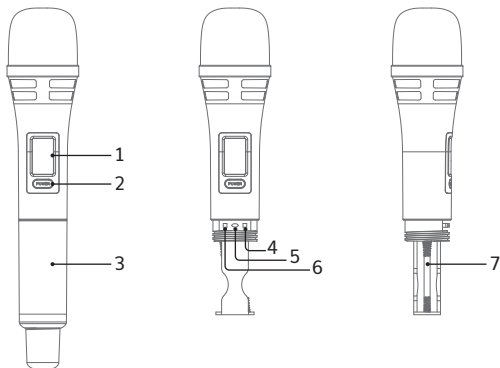
Sound Distortion: $\leq 0.5\%$

Mic Input Sensitivity: $-52\text{dB} \pm 3\text{dB}$ (0dB=1v/ μ bar at 1KHz)

RF Sensitivity: -95dBm

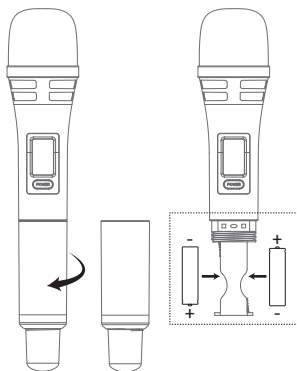
Operating Temperature: 0°C to +55°C

MICROPHONE OPERATION INSTRUCTION



As shown in above pictures:

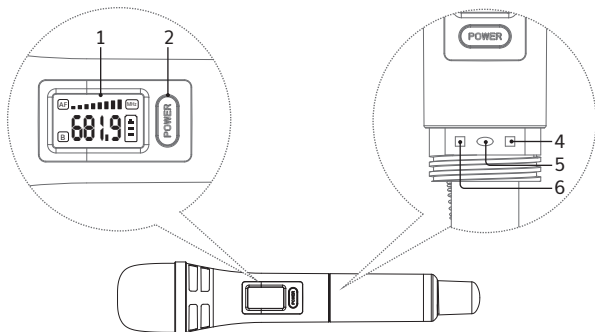
1. Display Screen
2. On/Off Switch
3. Tail Tube
4. Volume +
5. Setting Button
6. Volume -
7. Battery Compartment



Install 2*AA batteries before using the wireless microphone and installing instruction is as follows:

1. Take down the tail tube of mic.
2. Install the batteries and tighten tail tube of mic.

Note: The positive and negative polarity of battery cannot be reversed.



Instruction:

- Press button 2 for 2s to turn it on/off.
- Press the button 5, then the frequency on the screen will be changed.
- Press button 4 or 6 to adjust volume.

WARRANTY

TONOR provides 2 years of after-sales service, free replacement to products that are NOT damaged resulting from accident, alteration, misuse, negligence, or abuse. If exceeding 30 days of Amazon return policy, you can still contact us through our Shopify TONORMIC. We will serve you with full sincerity!

US

CA

MX

FCC STATEMENT: This device complies with Part 15 of the FCC Rules. Operation is subject to the following two conditions: (1) this device may not cause harmful interference, and (2) this device must accept any interference received, including interference that may cause undesired operation.

FR

DÉCLARATION FCC: Cet appareil est conforme à la partie 15 de la réglementation du FCC. Son fonctionnement est soumis aux deux conditions suivantes: (1) cet appareil ne doit pas provoquer 'interférences nuisibles, et (2) cet appareil doit accepter toute interférence reçue, y compris les interférences pouvant entraîner un fonctionnement indésirable.

ES

DECLARACIÓN DE LA FCC: Este dispositivo cumple con la Parte 15 de las Reglas de la FCC. La operación está sujeta a las siguientes dos condiciones: (1) el dispositivo no debe causar interferencias perjudiciales, y (2) el dispositivo debe aceptar cualquier interferencia recibida, incluida interferencia que pueda causar operación no deseado.



Vous êtes responsable de remettre tous les appareils électriques et électroniques usagés à des points de collecte correspondants.

Pour en savoir plus:
www.quefairedemesdechets.fr



FR

Les piles
et batteries
se recyclent

À DÉPOSER
EN MAGASIN



À DÉPOSER
EN DÉCHÈTTERIE



OU

Points de collecte sur www.quefairedemesdechets.fr

EASTWEST ELECTRONIC COMMERCE CO.,
LIMITED | LEVEL 54 HOPEWELL CENTRE
183 QUEEN'S ROAD EAST HONG KONG

EASTWEST ELECTRONIC COMMERCE CO US
LIMITED | 3500 SOUTH DUPONT
HIGHWAY, SUITE G106 DOVER, DE 19901
UNITED STATES

LIFEWIT LIMITED | FLAT 237, 233 HIGH
STREET CROYDON SURREY ENGLAND CR0
1FY UNITED KINGDOM

Lifewit GmbH | Friedenstraße 5 97072
Wuerzburg Germany

 <https://www.tonormic.com>

 support@tonormic.com

MADE IN CHINA

FCC Warning:

This equipment has been tested and found to comply with the limits for a Class B digital device, pursuant to part 15 of the FCC Rules. These limits are designed to provide reasonable protection against harmful interference in a residential installation. This equipment generates, uses and can radiate radio frequency energy and, if not installed and used in accordance with the instructions, may cause harmful interference to radio communications. However, there is no guarantee that interference will not occur in a particular installation. If this equipment does cause harmful interference to radio or television reception, which can be determined by turning the equipment off and on, the user is encouraged to try to correct the interference by one or more of the following measures:

- Reorient or relocate the receiving antenna.
- Increase the separation between the equipment and receiver.
- Connect the equipment into an outlet on a circuit different from that to which the receiver is connected.
- Consult the dealer or an experienced radio/TV technician for help.

Caution: Any changes or modifications to this device not explicitly approved by manufacturer could void your authority to operate this equipment.

This device complies with part 15 of the FCC Rules. Operation is subject to the following two conditions:

(1) This device may not cause harmful interference, and (2) this device must accept any interference received, including interference that may cause undesired operation.

This equipment complies with FCC radiation exposure limits set forth for an uncontrolled environment. This equipment should be installed and operated with minimum distance 0cm between the radiator and your body.

ISED Statement

- English: This device complies with Industry Canada license-exempt RSS standard(s). Operation is subject to the following two conditions: (1) This device may not cause interference, and (2) This device must accept any interference, including interference that may cause undesired operation of the device.

The digital apparatus complies with Canadian CAN ICES-3 (B)/NMB-3(B).

- French: Le présent appareil est conforme aux CNR d'Industrie Canada applicables aux appareils radio exempts de licence. L'exploitation est autorisée aux deux conditions suivantes: (1) l'appareil ne doit pas produire de brouillage, et (2) l'utilisateur de l'appareil doit accepter tout brouillage radioélectrique subi, même si le brouillage est susceptible d'en compromettre le fonctionnement.

L'appareil numérique du CIEM conforme canadien peut - 3 (b) / nmb - 3 (b).

This device meets the exemption from the routine evaluation limits in section 2.5 of RSS 102 and compliance with RSS 102 RF exposure, users can obtain Canadian information on RF exposure and compliance.

Cet appareil est conforme à l'exemption des limites d'évaluation courante dans la section 2.5 du CNR - 102 et conformité avec RSS 102 de l'exposition aux RF, les utilisateurs peuvent obtenir des données canadiennes sur l'exposition aux champs RF et la conformité.

This equipment complies with Canada radiation exposure limits set forth for an uncontrolled environment.

This equipment should be installed and operated with minimum distance 0cm between the radiator & your body.

Cet équipement est conforme Canada limites d'exposition aux radiations dans un environnement non contrôlé.

Cet équipement doit être installé et utilisé avec une distance minimale de 0 cm entre le radiateur et votre corps.