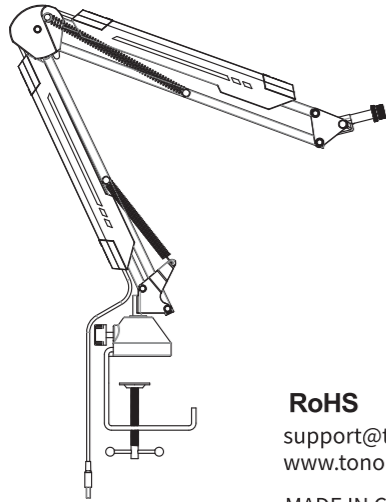


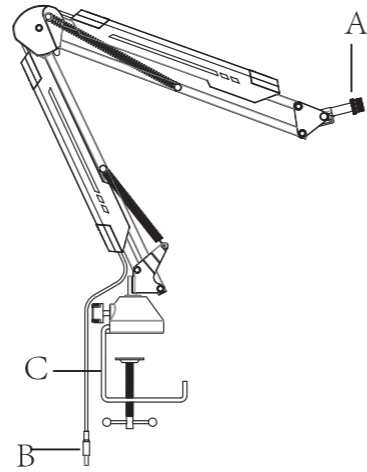
TONOR

T20S Microphone Stand



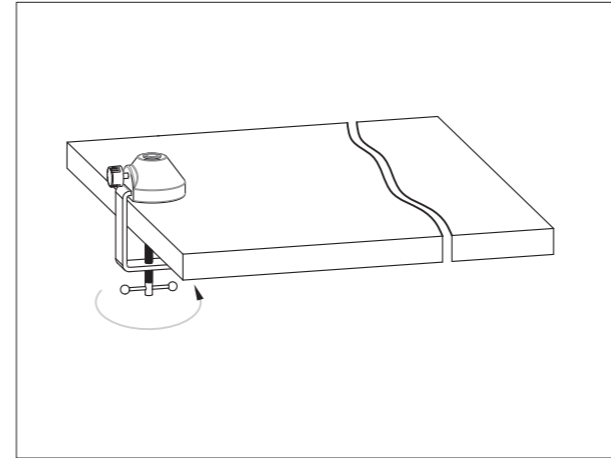
RoHS
support@tonormic.com
www.tonommic.com
MADE IN CHINA

- A . 3/8" to 5/8" adapter
- B . USB cable
- C . Clamp



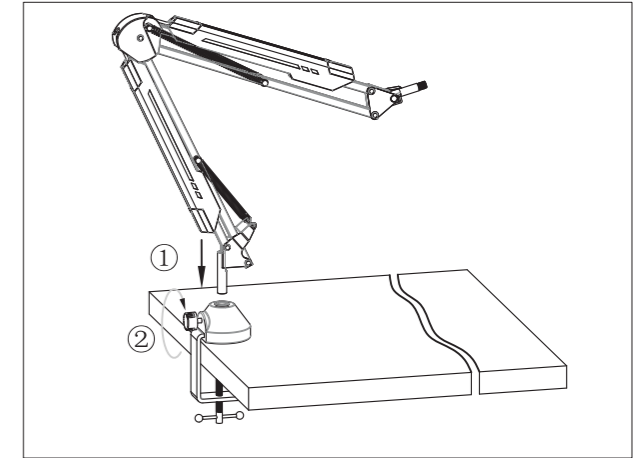
1

1. Install the clamp onto the table surface (0-6cm thickness) and adjust the bottom knob to secure the clamp.



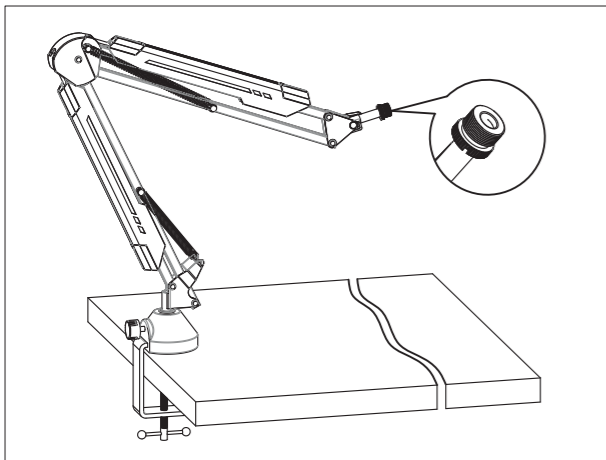
2

2. Plug the boom arm into the base, adjust the stand to the optimal position. Then adjust the knob on clamp to fix the boom arm.



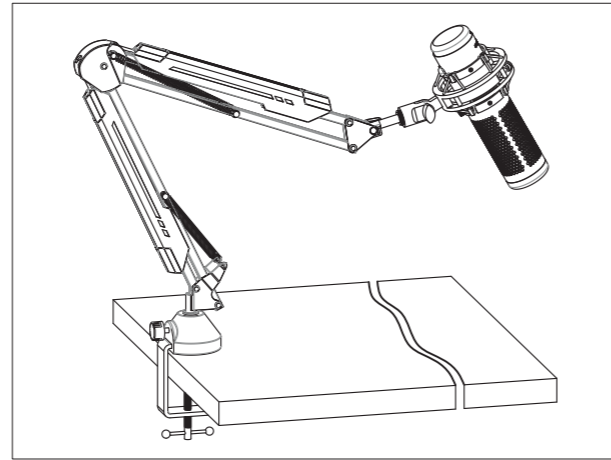
3

3. Install the 3/8" to 5/8" screw adapter onto the end of metal rod.



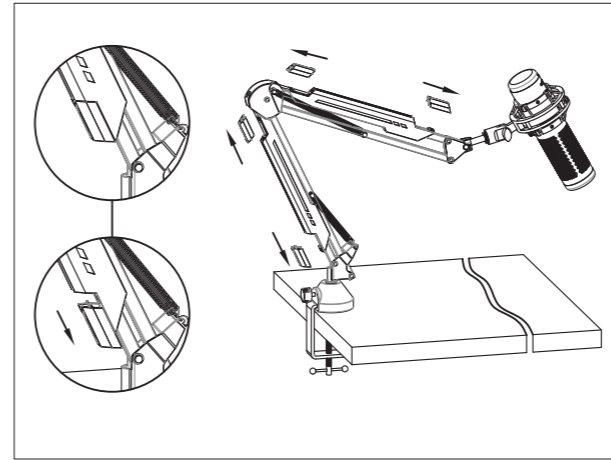
4

4. Install the microphone onto the metal rod through the 3/8" to 5/8" screw adapter.



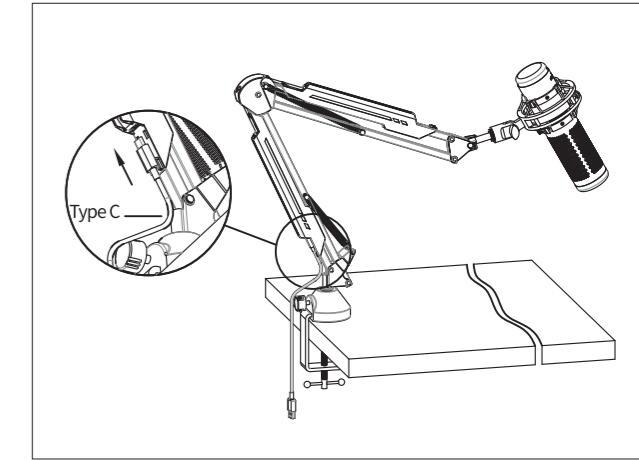
5

5. Open the slots on the upper and lower arms of the stand



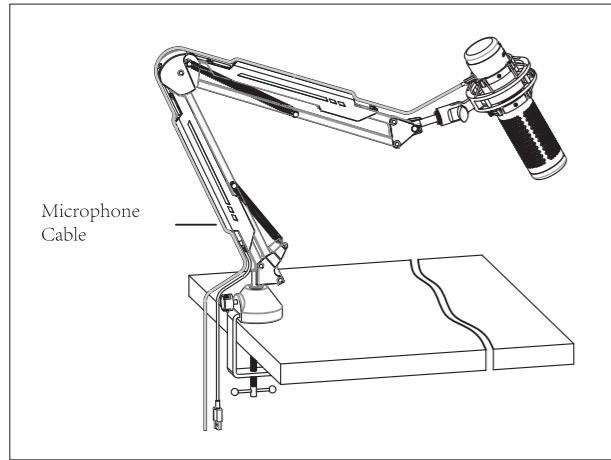
6

6. Insert the USB cable into the Type C port of the stand, connect the other end to a PC or 5V/1A charger, and the light will turn on.



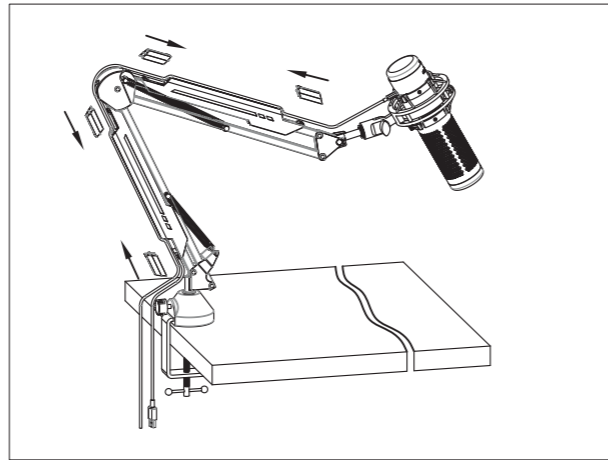
7

7. Fix the USB cable of the microphone on the card slot, connect one end to the mic power port, and the other end to the PC. The mic can work normally.



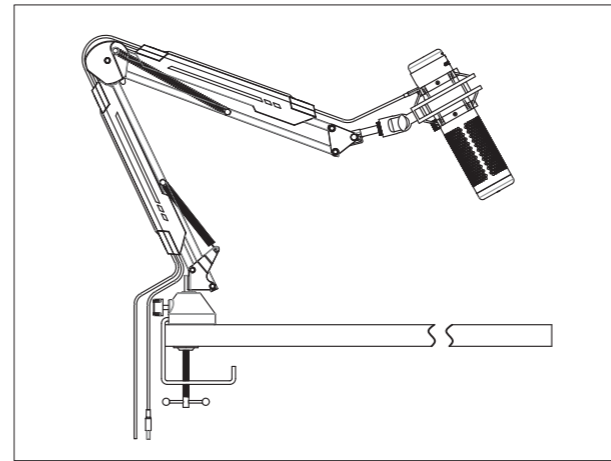
8

8. Finally, install the card slot back to its original position.



9

9. Final form



10

10. Lighting control: Scan the QR code to download the app, or search for "Raingel" app in the app store on Android/iOS devices to download the app. After the USB cable is plugged into the stand, the app will automatically identify and connect to the device, and the device name starts with "TONOR_", followed by two letters or numbers.



11

FUJIAN EASTWEST LIFEWIT TECHNOLOGY CO.,LTD
 RM 1201-1205,BLD 18,2ND PHASE OF
 INNOVATION PARK, NO.7,WULONGJANG MIDDLE
 AVENUE, FUZHOU HIGH-TECH ZONE, FUZHOU,
 FUJIAN PROVINCE
 EASTWEST ELECTRONIC COMMERCE
 CO US LIMITED I3500 SOUTH
 DUPONT HIGHWAY, SUITE G106
 DOVER, DE 19901 UNITED STATES
 LIFEWIT LIMITED I UNIT 2, VINCENT HOUSE,
 FIRCROFT WAY, EDENBRIDGE UNITED
 KINGDOM
 Lifewit GmbH|FriedenstraBe 5 97072
 Wuerzburg Germany

Specification
 US/GB
 Model: T20S
 Material: Steel and ABS
 Weight: 1.9pound
 Max.Horizontal/Vertical Length: 700mm/690mm
 Rotation Angle: 360°
 Maximum Support Weight: 3.3lbs/1.5kg
 Maximum Support Weight at 180 Degree Angle: 2.2lbs/1kg

12

DE
 Modell: T20S
 Material: Stahl und ABS
 Gewicht: 1.9pound
 Maximale horizontale/vertikale Länge: 700mm/690mm
 Drehwinkel: 360°
 Maximales Stützgewicht: 3.3lbs/1.5kg
 Maximales Stützgewicht bei 180 Grad Winkel: 2.2lbs/1kg

FR
 Modèle: T20S
 Matériau: acier et ABS
 Poids: 1.9pound
 Longueur maximale horizontale/verticale: 700mm/690mm
 Angle de rotation: 360°
 Poids maximum supporté: 3.3lbs/1.5kg
 Poids maximal supporté à 180 degrés: 2.2lbs/1kg

IT
 Modello: T20S
 Materiale: acciaio e ABS
 Peso: 1.9pound
 Lunghezza massima orizzontale/verticale: 700mm/690mm
 Angolo di rotazione: 360°

13

Peso massimo supportato: 3.3libbre/1.5 kg
 Peso massimo di supporto ad angolo 180 gradi: 2.2lbs/1kg

ES
 Modelo: T20S
 Material: Acero y ABS
 Peso: 1.9pound
 Longitud máxima horizontal/vertical: 700mm/690mm
 Ángulo de rotación: 360°
 Peso máximo de soporte: 3.3lbs/1.5kg
 Peso máximo de soporte a 180 grados: 2.2lbs/1kg

PL
 Model: T20S
 Materiał: stal i ABS
 Waga: 1.9pound
 Maksymalna długość pozioma/pionowa: 700mm/690mm
 Kąt obrotu: 360°
 Maksymalna waga wspornika: 3.3lbs/1.5kg
 Maksymalna waga wsparcia przy kącie 180 stopnia: 2.2lbs/1kg

NL
 Model: T20S
 Materiaal: staal en ABS

14

Gewicht: 1.9pound
 Max. horizontale/verticale lengte: 700mm/690mm
 Rotatiehoek: 360°
 Maximaal ondersteuningsgewicht: 3.3lbs/1.5kg
 Maximum Steungewicht bij 180 Degreehoek: 2.2lbs/1kg

SE
 Modell: T20S
 Material: Stål och ABS
 Vikt: 1.9pound
 Max. Horisontell/Vertikal längd: 700mm/690mm
 Rotationsvinkel: 360°
 Maximal stödvtikt: 3.3lbs/1.5kg
 Maximal stödvtikt vid 180 graders vinkel: 2.2 lbs/1kg

JP
 モデル: T20S
 材質: スチールとABS
 重量: 1.9pound
 最大水平/垂直長さ: 700mm/690mm
 回転角度: 360°
 最大サポート重量: 3.3lbs/1.5kg
 180度の角度での最大サポート重量: 2.2lbs/1kg

15

FCC Statement

This equipment has been tested and found to comply with the limits for a Class B digital device, pursuant to part 15 of the FCC Rules. These limits are designed to provide reasonable protection against harmful interference in a residential installation. This equipment generates, uses and can radiate radio frequency energy and, if not installed and used in accordance with the instructions, may cause harmful interference to radio communications. However, there is no guarantee that interference will not occur in a particular installation. If this equipment does cause harmful interference to radio or television reception, which can be determined by turning the equipment off and on, the user is encouraged to try to correct the interference by one or more of the following measures:

- Reorient or relocate the receiving antenna.
- Increase the separation between the equipment and receiver.
- Connect the equipment into an outlet on a circuit different from that to which the receiver is connected.
- Consult the dealer or an experienced radio/TV technician for help.

Caution: Any changes or modifications to this device not explicitly approved by manufacturer could void your authority to operate this equipment.

This device complies with part 15 of the FCC Rules. Operation is subject to the following two conditions: (1) This device may not cause harmful interference, and (2) this device must accept any interference received, including interference that may cause undesired operation.

RF Exposure Information

This equipment complies with FCC radiation exposure limits set forth for an uncontrolled environment. This equipment should be installed and operated with minimum distance 20cm between the radiator and your body.

ISED Statement

English: This device contains licence-exempt transmitter(s)/receiver(s) that comply with Innovation, Science and Economic Development Canada's licence-exempt RSS(s). Operation is subject to the following two conditions:

- (1) This device may not cause interference.
- (2) This device must accept any interference, including interference that may cause undesired operation of the device.

The digital apparatus complies with Canadian CAN ICES-3 (B)/NMB-3(B).

French: Cet appareil contient des émetteurs/récepteurs exempts de licence qui sont conformes aux RSS exemptés de licence d'Innovation, Sciences et Développement économique Canada.

L'exploitation est soumise aux deux conditions suivantes :

- (1) Cet appareil ne doit pas provoquer d'interférences.
- (2) Cet appareil doit accepter toute interférence, y compris les interférences susceptibles de provoquer un fonctionnement indésirable de l'appareil.

L'appareil numérique du ciem conforme canadien peut - 3 (b) / nmb - 3 (b).

This device meets the exemption from the routine evaluation limits in section 2.5 of RSS 102 and compliance with RSS 102 RF exposure, users can obtain Canadian information on RF exposure and compliance.

Cet appareil est conforme à l'exemption des limites d'évaluation courante dans la section 2.5 du cnr - 102 et conformité avec rss 102 de l'exposition aux rf, les utilisateurs peuvent obtenir des données canadiennes sur l'exposition aux champs rf et la conformité.

This equipment complies with Canada radiation exposure limits set forth for an uncontrolled environment.

Cet équipement est conforme aux limites d'exposition aux rayonnements du Canada établies pour un environnement non contrôlé.

This equipment should be installed and operated with minimum distance 20cm between the radiator & your body.

Cet équipement doit être installé et utilisé à une distance minimale de 20 cm entre le radiateur et votre corps.