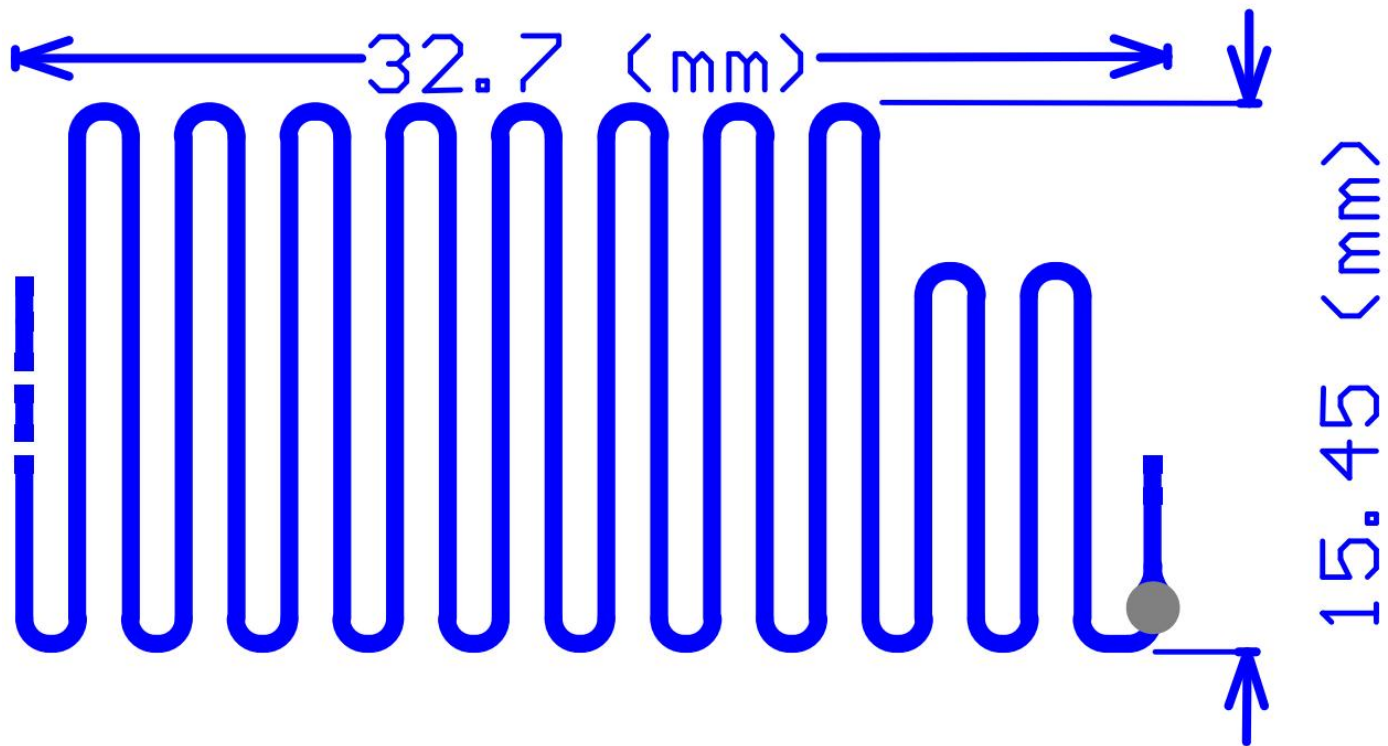


# PCB antenna

For 930MHz Applications



P/N: PCB ANT1

A	Product Series	Antenna
B	Dimension L x W	Custom PCB
C	Material	High K material
D	Working Frequency	930MHz
E	Feeding mode	Monopole & Single Feeding
F	Antenna type	Type = 03

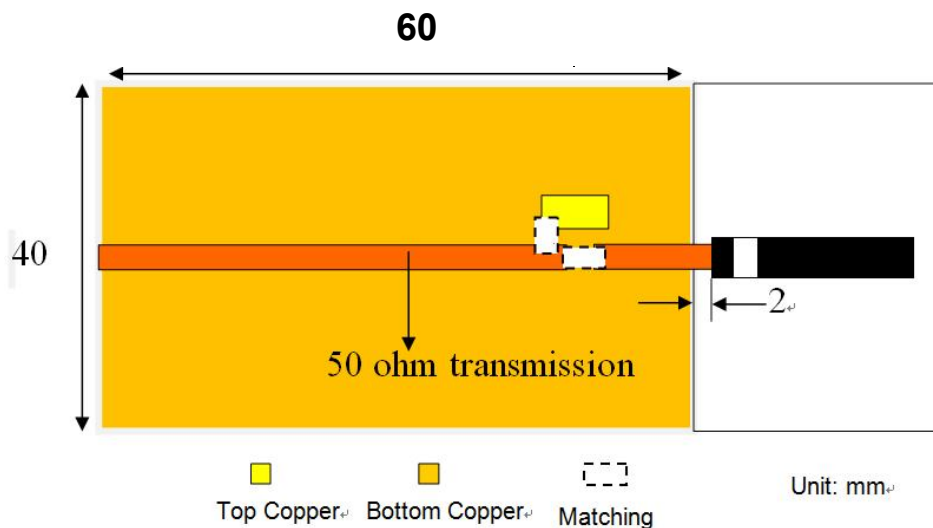
## 1. Electrical Specification

Specification		
Part Number	PCB KGB	
Central Frequency	930	MHz
Bandwidth	25 (Min.)	MHz
Return Loss	-20(Max)	dB
Peak Gain	0.5	dBi
Impedance	50	Ohm
Operating Temperature	-40~+110	°C
Maximum Power	1	W
Resistance to Soldering Heats	10 ( @ 260°C)	sec.
Polarization	Linear	
Azimuth Beamwidth	Omni-directional	
Termination	Sn (Leadless)	

Remark : Bandwidth & Peak Gain was measured under evaluation board of next page

## 2. Recommended PCB Pattern

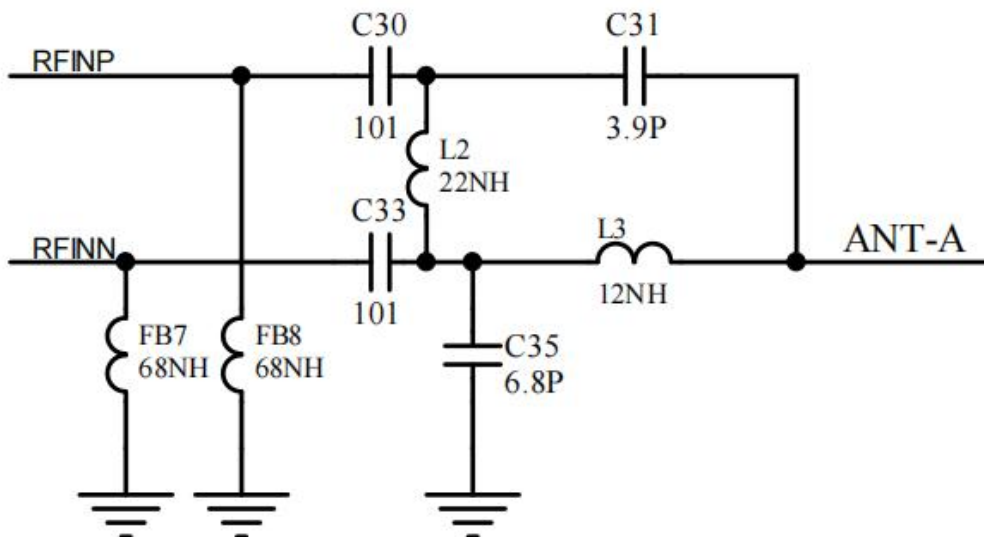
### Evaluation Board Dimension



## Suggested Matching Circuit

重要資訊：

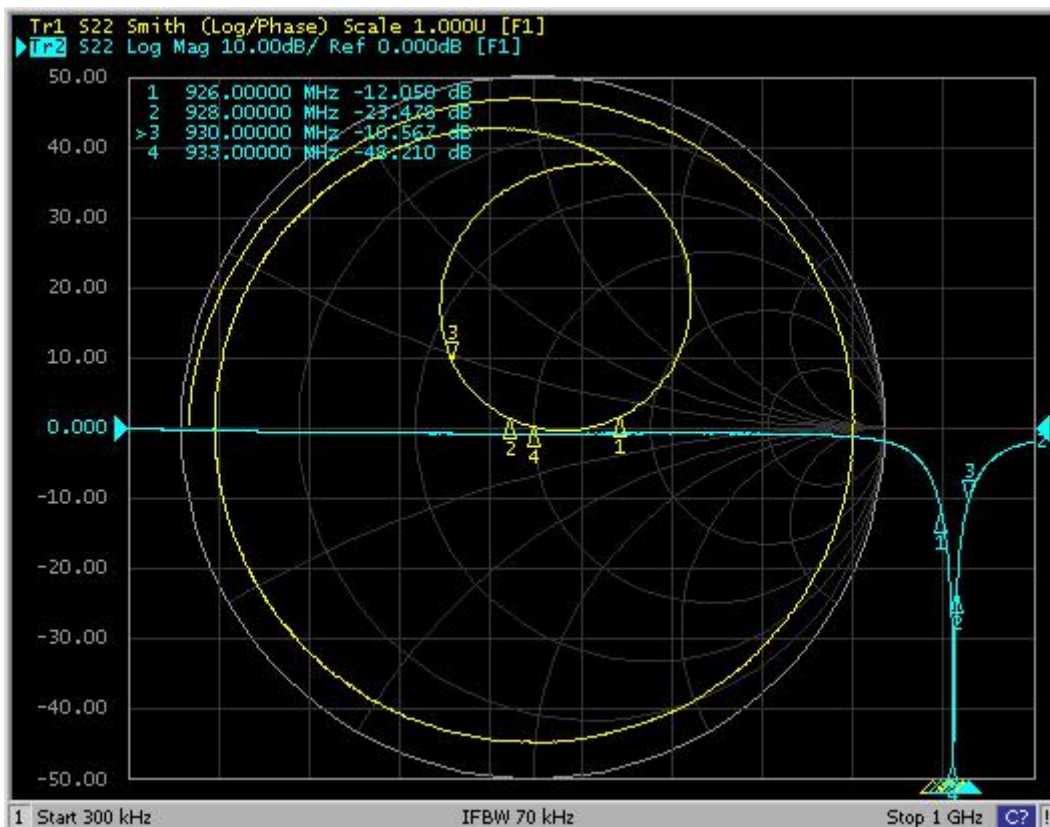
匹配元件建議使用精準度 高的電感 $\pm 0.1\sim 0.3\text{nH}$ 、電容  $\pm 0.1\text{pF}$



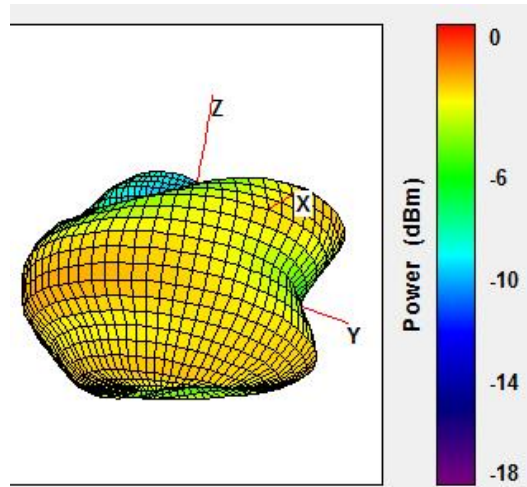
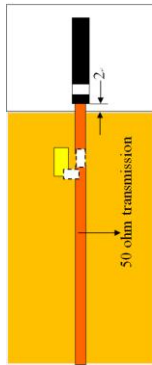
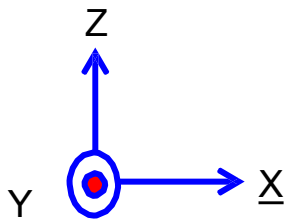
## 3. Measurement Results

Return Loss

930MHz



## Radiation Pattern



	Efficiency	Peak Gain	Directivity
930MHz	31.67 %	0.52dBi	0.83dBi

## Chamber Coordinate System

