

TONOR

MUSIC BOX

K7



UK
CA

CE

FC



RoHS

ABOUT THIS MANUAL

Thank you for purchasing TONOR karaoke machine. This manual is intended to help you understand all about this karaoke kit and how to use it, please read this instruction manual carefully before using, and keep it for future reference. TONOR always strives for the ultimate user experience. All our knowledge and passion for audio technology are incorporated into building microphones and speakers with high performance for you.

Enjoy your time!
TONOR Team

ENGLISH



SAFETY INFORMATION

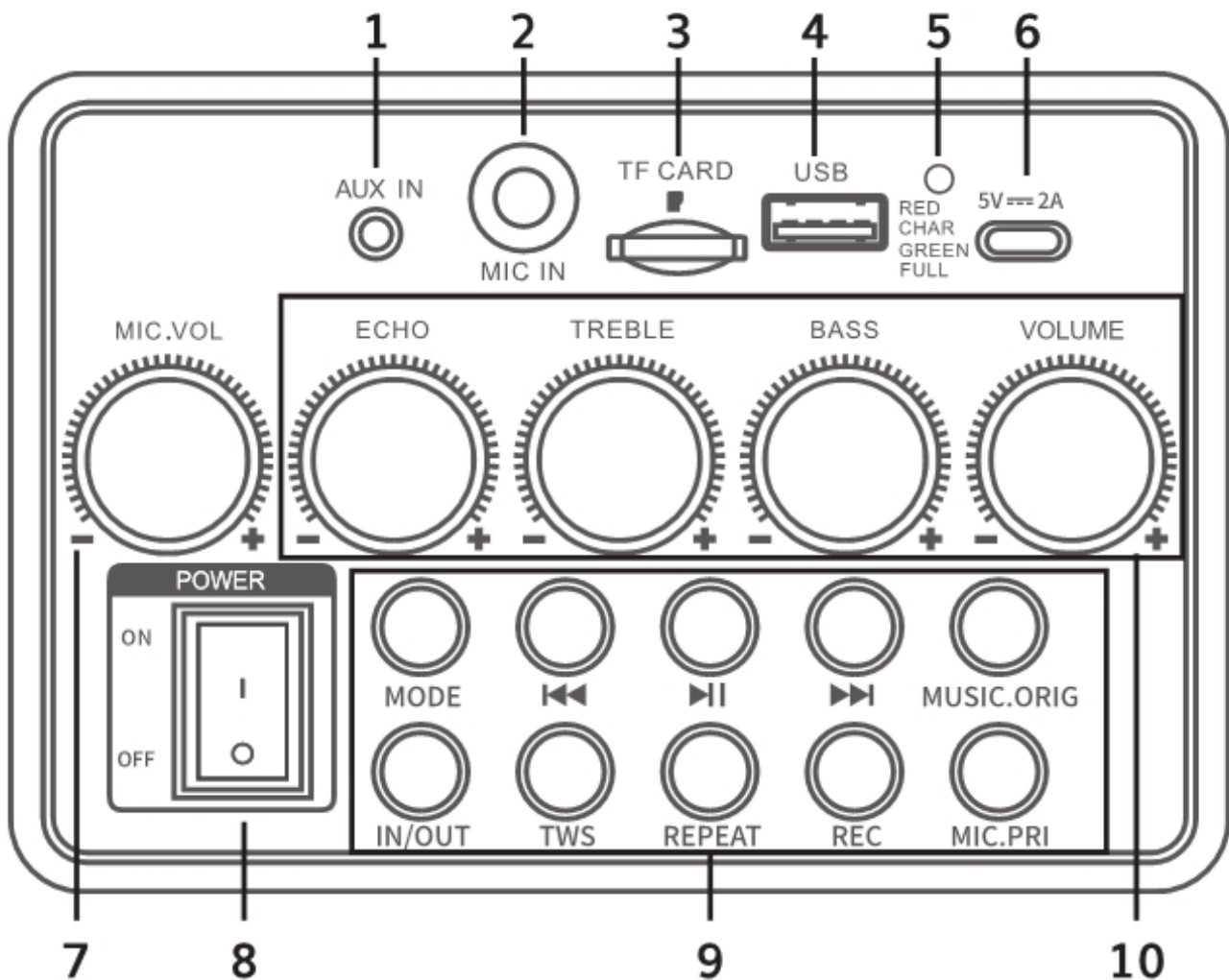
- a. There are high voltage zones inside this unit that can cause injuries. Please do not open the unit. In case of technical failure, please contact the authorized service centre.
- b. Never place the unit in the rain or in moist zones so as to avoid a fire or an electric shock.
- c. This device uses a laser system. To prevent direct exposure to the laser beam, please do not open the unit or stare at the laser beam.
- d. If technical maintenance is required, please contact the authorized service centre.
- e. If the supply cord is damaged in any way, please have it replaced by the manufacturer, supplier or a qualified electrician.

WHAT'S IN THE BOX

Check and identify the contents of your package:

- 1* Speaker
- 2* Microphone
- 1* Remote control
- 1* Power cable
- 1* Adapter
- 1* User manual

SPEAKER PANNEL INSTRUCTIONS



Note: Please check the music and microphone volume to prevent the startup volume from being too loud.

1. 3.5mm external LINE audio input jack;
2. 6.35mm external microphone jack;
3. TF card slot for playing music and recording;
4. USB slot for playing music and recording;
5. Battery indicator(Red for charging, green for full);
6. 5V adapter jack for power supply and charging of speaker;
7. Microphone volume adjustment knob;
8. Power switch;

Note:

- When the speaker is not used for a long time, please be sure to




fully charge the battery.

- Recharge every 30 days to prevent damage to the battery due to over-discharge.

9. Play control key group:

- MODE: This machine provides 5 playing modes, namely Bluetooth, RADIO MODE, LINE IN, TF card/U disk. Press the button to switch input mode.

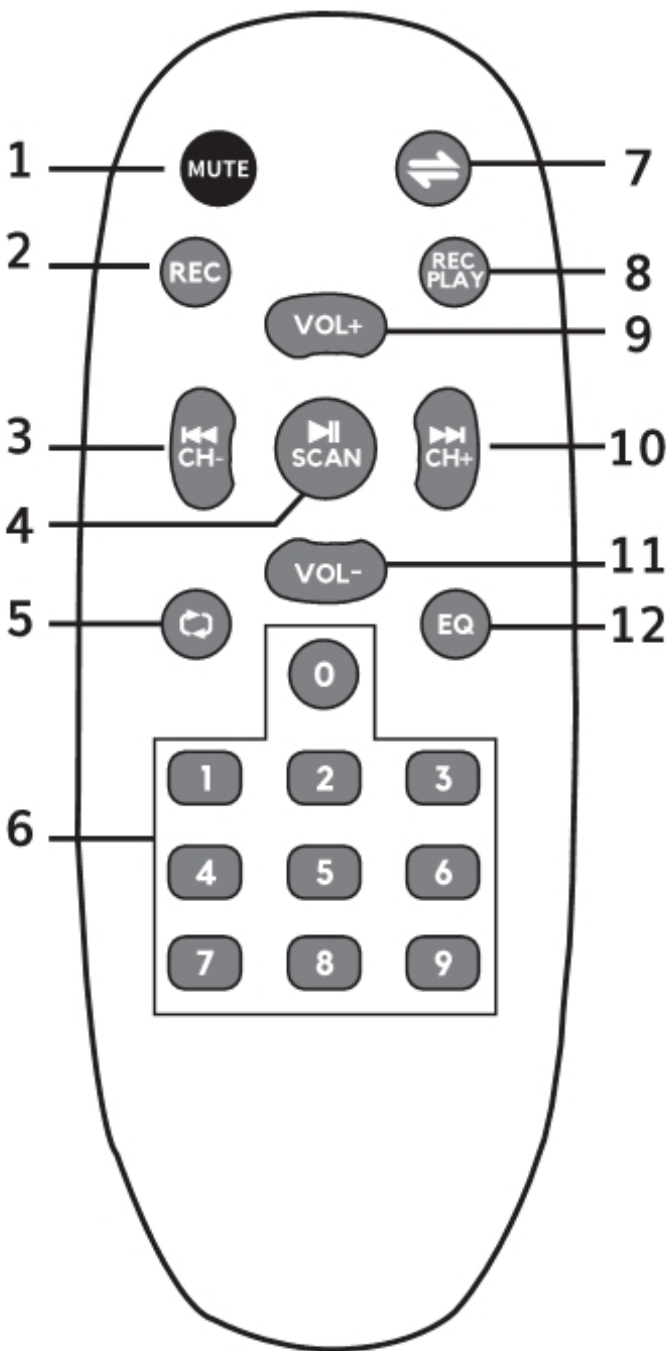
Note:

- When there is no a USB or TF card inserted, the speaker has only LINE input, Bluetooth, and Radio modes.
- When a USB or TF card is inserted, the speaker will play the sound in the U disk or TF card by default.
- Long press the MODE button to open or close the speaker's voice prompts.
-  Previous key: Click the previous song. Long press to rewind.
-  Pause/Play key
-  Next key: Click the next song. Long press to fast forward.
- MUSIC.ORIG: To remove or restore the voice.
- IN/OUT: To select indoor or outdoor mode.
- TWS: True wireless stereo function, two machines can be linked at the same time.
- REPEAT: Single Repeat/ Repeat All
- REC: Recording key. Press to record and long press to play recordings.
- MIC.PRI: Microphone Priority feature. When the microphone has a signal, the music volume will automatically decrease. When there is no sound from the microphone, the music volume will automatically rise(This function is usually used during speech or hosting).

10. Knob adjustment area:

- Microphone ECHO adjustment knob
- Speaker tweeter adjustment knob
- Speaker bass adjustment knob
- Speaker volume adjustment knob

REMOTE CONTROL INTRODUCTIONS



1. MUTE button
2. Mode button. Mode function (select between Bluetooth, RADIO MODE, LINE IN, TF card/U disk)
3. REC button (Press to start recording. Press again to stop recording)
4. REC PLAY button
5. Volume +
6. Previous song: Click the previous song. Long press to rewind.
7. Play/Pause
8. Next song: Click the next song. Long press to fast forward.
9. Volume -
10. Single Repeat/ Repeat All
11. EQ Mode Key(Choose between EQ1 to EQ5)
12. Numeric buttons(Only for USB mode and TF card mode)

Note:

- Please install 2*AAA batteries before use.
- Please aim at the receiver window of the speaker When using remote control.
- The remote control distance is generally about 5 meters.

PLAYING INSTRODUCTIONS

Bluetooth Mode

Press the MODE button to select the bluetooth mode. If the bluetooth is not connected, the BLUE displayed on the speaker will flash continuously. At this time, turn on the bluetooth device, search for the local bluetooth name "Tonor K7" and click to connect, and the voice prompts that the bluetooth is connected(When the voice function is turned on). The BLUE displayed on the display is always on. Just select the music you want to play on. If you need to replace a new Bluetooth device, please turn off or disconnect the device on the Bluetooth device first. The BLUE on the display keeps flashing, and you can connect with a new device at this time.

Note:

- The Bluetooth transmission distance is affected by the environment and other factors. The normal distance is about 10 meters. If you find broken sound or noise, please move the device closer to the speaker.
- In Bluetooth mode, only supports previous song, pause/play, next song, and do not support repeat operation.
- If the volume is not loud enough during Bluetooth mode, please turn up the volume of the Bluetooth device and use the speaker volume knob to adjust the required volume.

LINE IN MODE

1. Press MODE button to select LINE IN. Play the music of the device connected to the LINE input.
2. In LINE IN input mode, can not use the play button to switch up/down, pause, record, repeat and other operations.

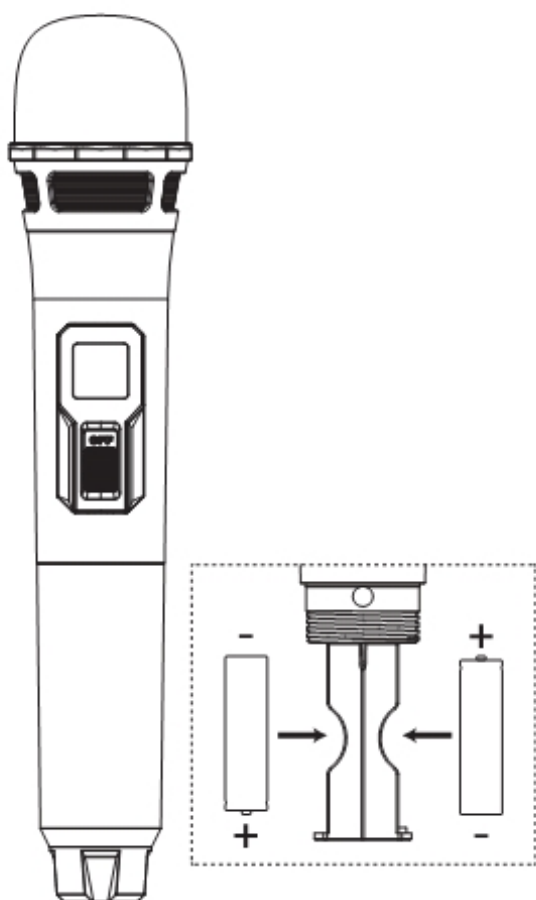
USB Mode or TF Card Mode

1. Turn on the speaker and insert the USB device, the speaker will automatically read and play the music in the USB device or TF card.
2. Press **▶||** to pause or play.
3. Press **◀◀** key to the previous song. (Long press to rewind.)
4. Press **▶▶** key to the next song. (Long press to fast forward.)

TWS Function

1. Power on 2 speakers, both switch to "TWS Mode".
2. Short Press "TWS" button for one unit (as the deputy model), when under successful connection, LCD Display of the deputy model show "SLAU" without flicker.
3. Use your BT device to connect another unit (as the host model), when under successful connection, LCD Display of the host model show "SLAU" without flicker.
4. Under TWS mode, you can adjust the main volume/play/pause/next song/ previous song to control the 2 speakers at the same time.

WIRELESS MICROPHONE OPERATION INSTRODUTIONS



- Please check whether the volume of the microphone is proper before turning on the speaker, otherwise it is easy to cause howling when you turn on the microphone.
- Please install 2 AA batteries before using. When the microphone is not used for a long time, please take out the batteries to prevent damaging the microphone.
- When using a handheld microphone, please do not hold the end of the tube to avoid affecting the transmitted signal.
- The normal optimal use distance of microphone should be within 15 meters.

TROUBLESHOOTING

Improper operation is often mistaken for failure or abnormal function. If you think any problem occurs on this machine, please check as follows. Sometimes the failure may occur in other components. In this case, please check other components and electrical products used. If the fault still cannot be rectified after completing the following checks, please contact Tonor. If the machine works abnormally due to external reasons (such as static electricity), please turn off the power and start it again to restore the normal working state.

Trouble	Possible Reasons	Solution
Speaker won't power on	Battery is low.	Charge the battery.
	Battery damage	If it can be turned on after connecting to the power, and it cannot be turned on after charging. It is determined that the battery is damaged, please replace the battery.
Severely distorted sound	Too loud	Reduce volume
No effect during karaoke	Improperly adjusted microphone effect	Turn on the microphone ECHO adjustment knob.
The microphone display is blank and the backlight is off.	Wrong polarity when install batteries	Check and install correctly according to the marked polarity
	Critically low battery	Replace the battery with sufficient charge
	Dirty or corroded battery contacts	Clean or replace battery contacts
Speaker screams	Sound Feedback Howling	Reduce the volume.
		The microphone should not face the speaker.
		Increase the distance between the microphone and the speaker.
		Decrease the effect volume and reduce the microphone treble.
The sound is intermittent when the microphone is in use.	Beyond the effective receiving distance	Back to effective distance.
	Signal interference	To repaired the microphone.

Trouble	Possible Reasons	Solution
Effective operating distance is short.	The environment is too complex.	Avoid complex environments. If there is a large metal object, brick wall and a large number of people, etc., will dramatically reduce the effective distance between the microphone and the receiver.

FCC Statement

This equipment has been tested and found to comply with the limits for a Class B digital device, pursuant to part 15 of the FCC Rules. These limits are designed to provide reasonable protection against harmful interference in a residential installation. This equipment generates, uses and can radiate radio frequency energy and, if not installed and used in accordance with the instructions, may cause harmful interference to radio communications.

However, there is no guarantee that interference will not occur in a particular installation. If this equipment does cause harmful interference to radio or television reception, which can be determined by turning the equipment off and on, the user is encouraged to try to correct the interference by one or more of the following measures:

- Reorient or relocate the receiving antenna.
 - Increase the separation between the equipment and receiver.
 - Connect the equipment into an outlet on a circuit different from that to which the receiver is connected.
 - Consult the dealer or an experienced radio/TV technician for help.
- Caution: Any changes or modifications to this device not explicitly approved by manufacturer could void your authority to operate this equipment.

This device complies with part 15 of the FCC Rules. Operation is subject to the following two conditions: (1) This device may not cause harmful interference, and (2) this device must accept any interference received, including interference that may cause undesired operation.

RF Exposure Information

The device has been evaluated to meet general RF exposure requirement.

The device can be used in portable exposure condition, compliance with exposure requirements.

ISED Statement

English: This device contains licence-exempt transmitter(s)/receiver(s) that comply with Innovation, Science and Economic Development Canada's licence-exempt RSS(s). Operation is subject to the following two conditions:

- (1) This device may not cause interference.
- (2) This device must accept any interference, including interference that may cause undesired operation of the device.

The digital apparatus complies with Canadian CAN ICES-3 (B)/NMB-3(B).

French: Cet appareil contient des émetteurs/récepteurs exempts de licence qui sont conformes aux RSS exemptés de licence d'Innovation, Sciences et Développement économique Canada.

L'exploitation est soumise aux deux conditions suivantes :

- (1) Cet appareil ne doit pas provoquer d'interférences.
- (2) Cet appareil doit accepter toute interférence, y compris les interférences susceptibles de provoquer un fonctionnement indésirable de l'appareil.

l'appareil numérique du ciem conforme canadien CAN ICES-3 (B)/NMB-3(B).

This device meets the exemption from the routine evaluation limits in section 2.5 of RSS 102 and compliance with RSS 102 RF exposure, users can obtain Canadian information on RF exposure and compliance.

cet appareil est conforme à l'exemption des limites d'évaluation courante dans la section 2.5 du cnr - 102 et conformité avec rss 102 de l'exposition aux rf, les utilisateurs peuvent obtenir des données canadiennes sur l'exposition aux champs rf et la conformité.

This equipment complies with Canada radiation exposure limits set forth for an uncontrolled environment.

Cet équipement est conforme aux limites d'exposition aux

rayonnements du Canada établies pour un environnement non contrôlé.

The device has been evaluated to meet general RF exposure requirement. This equipment should be installed and operated with minimum distance 20mm between the radiator & your body.

L'appareil a été évalué pour répondre aux exigences générales d'exposition aux RF.

Cet équipement doit être installé et utilisé avec une distance minimale de 20mm entre le radiateur et votre corps.

EASTWEST ELECTRONIC COMMERCE CO.,
LIMITED | LEVEL 54 HOPEWELL CENTRE
183 QUEEN'S ROAD EAST HONG KONG

EASTWEST ELECTRONIC COMMERCE CO US
LIMITED | 3500 SOUTH DUPONT
HIGHWAY, SUITE G106 DOVER, DE 19901
UNITED STATES

LIFEWIT LIMITED | FLAT 237, 233 HIGH
STREET CROYDON SURREY ENGLAND CR0
1FY UNITED KINGDOM

Lifewit GmbH | Friedenstraße 5 97072
Wuerzburg Germany

 <https://www.tonormic.com>

 support@tonormic.com

MADE IN CHINA



Vous êtes responsable de remettre tous les appareils électriques et électroniques usagés à des points de collecte correspondants.

Pour en savoir plus:
www.quefairedemesdechets.fr



FR

**Les piles
et batteries
se recyclent**

À DÉPOSER
EN MAGASIN



OU

À DÉPOSER
EN DÉCHÈTTERIE



Points de collecte sur www.quefairedemesdechets.fr