

TONOR

Music Box

K60



RoHS

UK
CA



English

***Please read this manual carefully before using the product.
Keep it in a safe place for future reference.***

SAFETY INFORMATION

1. There are high voltage zones inside this unit that can cause injuries. Please do not open the unit. In case of technical failure, please contact us.
2. Never place the unit in the rain or in moist zones so as to avoid a fire or an electric shock.
3. This device uses a laser system. To prevent direct exposure to the laser beam, please do not open the unit or stare at the laser beam.
4. If technical maintenance is required, please contact us.
5. If the supply cord is damaged in any way, please have it replaced by the manufacturer, supplier or a qualified electrician.

CAUTION

1. Do not place the unit on an unstable surface as it may fall and break or cause damage to people or pets.
2. Disconnect the unit from the mains before cleaning it. Do not use cleaning liquids or sprays. Use only a soft, damp cloth.
3. To avoid possible damage to the equipment, please unplug it during storms or when it will not be used for a long time.
4. Do not insert any object into the unit through the ventilation openings as this could cause a short circuit and start a fire. Do not pour liquid on the speaker.



Please Do not charge the speaker while playing the music over 80% volume otherwise the charging device will be damaged and it is not in warranty.

PACKAGE LIST

- 1* Speaker unit
- 2* Microphone
- 1* Remote Control
- 1* Power cable
- 1* User Manual

MODE INSTRUCTION

WIRELESS BT MODE

Press BT until you enter BT Pairing Mode.

- Once entering Bluetooth mode, your speaker will automatically enter pairing mode if not already paired to another device.
- Search for the model number K60/K61 on your Bluetooth settings on your smart device, and select it.
- Once selected, your smart device and speaker will connect. Once connected you can control your speaker through top panel controls or your smart device.

LINE IN MODE

Press MODE until you enter AUX.

- Make sure you have a 3.5mm AUX cable plugged into your audio device from the AUX port on the top of Speaker.
- In AUX mode, you can only control the functions through the audio device. Though you can adjust the volume on either device.

FM RADIO MODE

Press MODE until you enter FM Radio.

- Press the P/P (Play/Pause) button to auto scan FM Radio stations and store it automatically.
- Press the NEXT or PREVIOUS buttons to navigate through FM Radio Stations.

USB AND TF CARD MODE

NOTE: Please make sure you connect a USB or TF Card drive into the USB/TF Card port located on the top of the speaker.

- Press MODE until you enter USB/TF Card mode.
- You can use the control on the top of your speaker to navigate through songs (tracks), play/pause, volume.

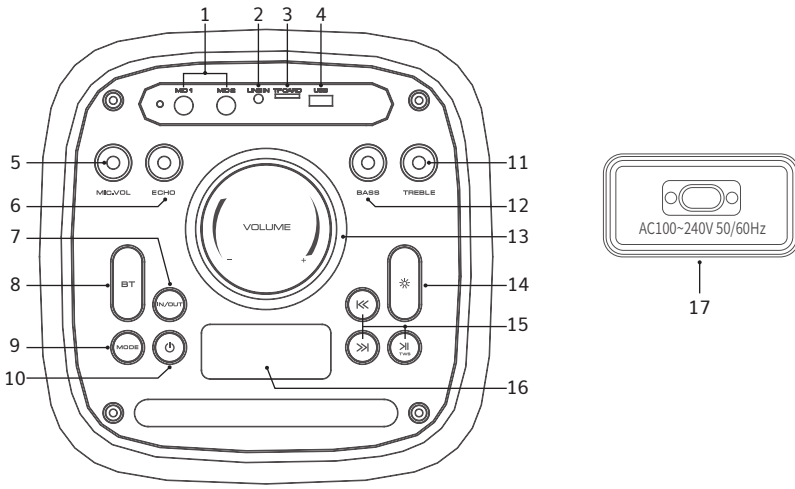
K60 TWS MODE

NOTE: In order to work for TWS Mode, you must have 2 of the same speakers next to each other.

Both speakers, please action as the below:

- Take one speaker as the host, another speaker as the deputy and make sure the deputy speaker enter Bluetooth mode.
- On the host speaker, press and hold TWS button until the display show "TUS".
- On the the deputy speaker, the display show "SLAU" without flickering. Two units connect successfully.
- You can select USB/TF Card/Bluetooth/Aux/FM mode on the host speaker and the deputy will follow as the same.
- You can adjust the main volume and navigate the songs (previous/pause/play/next) on either of the speaker and two speakers action in sync.
- Press and hold "TWS" button again can quit the TWS mode.

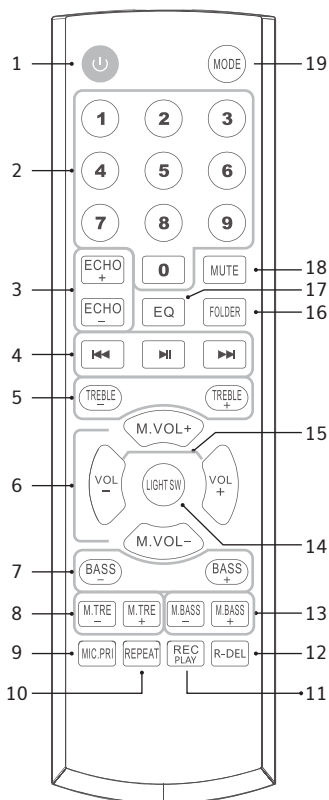
TOP CONTROL PANEL INTRODUCTION FOR K60



1. Wired Microphone input: Plug wired microphone into these jack.
2. AUX in: Play the music of the device connected to the AUX input.
3. TF card input: Insert TF Card to play.
4. USB input: Insert USB to play.
5. Mic.Vol: Adjust Microphone volume level.
6. Echo Volume
7. Outdoor/Indoor Mode: Press to choose outdoor and indoor mode.
8. Bluetooth function

9. Mode: Short press to select LINE (Aux-In)/USB /FM /Wireless BT. Long press to turn on or turn off voice prompt.
10. Power: ON/OFF Power
11. Treble volume
12. Bass volume
13. Main Volume: Turn the knob to adjust master volume level.
14. Light switch: Press to change light color and light style.
15. Next song: Short press to get next sound/channel. Long press to fast forward.
Previous song: Short press to get previous sound/channel. Long press to fast backward.
- Pause&Play: Short press to Pause and Play music. Long press to TWS function.
16. LCD display screen
17. AC 100-240V input

REMOTE CONTROL INTRODUCTION



- Stand by for K60 (Press to enter or quit the standby mode when power on). Power off for K61.
- Number buttons: Under USB/TF mode to choose songs.
- Echo+/-
- Previous Song/station:
 - Under BT/USB/TF card mode - previous song.
 - Under FM mode- previous station.
- Pause&Play:
 - Pause or Play the music.
 - In FM mode, enter "Auto Scan" function.
- Next song/station:
 - Under BT/USB/TF card mode - next song.
 - Under FM mode- next station.
- Treble+/-
- Microphone Volume+/-
- BASS+/-
- Microphone Treble+/-
- Microphone Priority: When play music and use microphone at the same time, the microphone sound from the speaker will be in priority.

10. Repeat: Repeat one song or all songs.
11. Record function
 - Under USB/TF card mode, press "REC" button to record the sound through wired or wireless mic. The recording file will be save in USB/TF card.
 - Record play: Long press to play the recording source.
12. Recording Delete: Delete the recording sources in USB/TF card.
13. Microphone Bass+/-
14. Light switch button
15. Speaker Volume+/-
16. Switch from different folders.
17. EQ function: Press to select Pop/Rock/Jazz/Classical/Flat EQ mode.
18. MUTE: Available to be mute at any mode.
19. Mode: Press to skip to Wireless BT/LINE IN/USB/TF/FM mode.

TROUBLESHOOTING

If you encounter problems when using this speaker, check the following points before requesting service.

- ▷ No power
 - ▶ Ensure that the Adapter plug of the speaker is connected properly.
 - ▶ Ensure that there is power at the DC outlet.

- ▷ No sound or poor sound
 - ▶ Adjust the volume.
 - ▶ Disconnect the headphones.
 - ▶ Check that the speakers are connected correctly.
 - ▶ Check if the stripped speaker wires are clamped.

- ▷ No response from the speaker
 - ▶ Disconnect and reconnect the Adapter plug, then turn on the speaker again.

- ▷ Remote control does not work
 - ▶ Before you press any function button, first select the correct source with the remote control instead of the main unit.
 - ▶ Reduce the distance between the remote control and the unit.
 - ▶ Insert the battery with its polarities(+/--signs)aligned as indicated.
 - ▶ Replace the battery.
 - ▶ Aim the remote control directly at the sensor on the front of the speaker.

SPEAKER SPECIFICATION

Bluetooth version: V5.0

Bluetooth receiving range: 13M

Charging time: 2.5h

Use time: 5-6 hours

Signal-to-noise ratio: $\geq 65\text{dB}$

Sensitive value: 86dB

Amplifier power: 20W*2

U disk/TF card format: FAT, FAT32

K60 audio support formats: WAV, FLAC, WMA, MP3, APE

K61 audio support formats: WAV, FLAC, WMA, MP3

FCC Statement

This equipment has been tested and found to comply with the limits for a Class B digital device, pursuant to part 15 of the FCC Rules. These limits are designed to provide reasonable protection against harmful interference in a residential installation. This equipment generates, uses and can radiate radio frequency energy and, if not installed and used in accordance with the instructions, may cause harmful interference to radio communications. However, there is no guarantee that interference will not occur in a particular installation. If this equipment does cause harmful interference to radio or television reception, which can be determined by turning the equipment off and on, the user is encouraged to try to correct the interference by one or more of the following measures:

- Reorient or relocate the receiving antenna.
 - Increase the separation between the equipment and receiver.
 - Connect the equipment into an outlet on a circuit different from that to which the receiver is connected.
 - Consult the dealer or an experienced radio/TV technician for help.
- Caution: Any changes or modifications to this device not explicitly approved by manufacturer could void your authority to operate this equipment.

This device complies with part 15 of the FCC Rules. Operation is subject to the following two conditions: (1) This device may not cause harmful interference, and (2) this device must accept any interference received, including interference that may cause undesired operation.

ISED Statement

English: This device contains licence-exempt transmitter(s)/receiver(s) that comply with Innovation, Science and Economic Development Canada's licence-exempt RSS(s). Operation is subject to the following two conditions:

- (1) This device may not cause interference.
- (2) This device must accept any interference, including interference that may cause undesired operation of the device.

The digital apparatus complies with Canadian CAN ICES-3 (B)/NMB-3(B).

French: Cet appareil contient des émetteurs/récepteurs exempts de licence qui sont conformes aux RSS exemptés de licence d'Innovation, Sciences et Développement économique Canada.

L'exploitation est soumise aux deux conditions suivantes :

- (1) Cet appareil ne doit pas provoquer d'interférences.
- (2) Cet appareil doit accepter toute interférence, y compris les interférences susceptibles de provoquer un fonctionnement indésirable de l'appareil.

l'appareil numérique du ciem conforme canadien CAN ICES-3 (B)/NMB-3(B).

This device meets the exemption from the routine evaluation limits in section 2.5 of RSS 102 and compliance with RSS 102 RF exposure, users can obtain Canadian information on RF exposure and compliance.

cet appareil est conforme à l'exemption des limites d'évaluation courante dans la section 2.5 du cnr - 102 et conformité avec rss 102 de l'exposition aux rf, les utilisateurs peuvent obtenir des données canadiennes sur l'exposition aux champs rf et la conformité.

This equipment complies with Canada radiation exposure limits set forth for an uncontrolled environment.

Cet équipement est conforme aux limites d'exposition aux rayonnements du Canada établies pour un environnement non contrôlé.

This equipment should be installed and operated with minimum distance 20cm between the radiator & your body.

Cet équipement doit être installé et utilisé à une distance minimale de 20 cm entre le radiateur et votre corps.

US CA MX

FCC STATEMENT: This device complies with Part 15 of the FCC Rules. Operation is subject to the following two conditions: (1) this device may not cause harmful interference, and (2) this device must accept any interference received, including interference that may cause undesired operation.

FR

DÉCLARATION FCC: Cet appareil est conforme à la partie 15 de la réglementation du FCC. Son fonctionnement est soumis aux deux conditions suivantes: (1) cet appareil ne doit pas provoquer d'interférences nuisibles, et (2) cet appareil doit accepter toute interférence reçue, y compris les interférences pouvant entraîner un fonctionnement indésirable.

ES

DECLARACIÓN DE LA FCC: Este dispositivo cumple con la Parte 15 de las Reglas de la FCC. La operación está sujeta a las siguientes dos condiciones: (1) el dispositivo no debe causar interferencias perjudiciales, y (2) el dispositivo debe aceptar cualquier interferencia recibida, incluida la interferencia que pueda causar operación no deseada.



Vous êtes responsable de remettre tous les appareils électriques et électroniques usagés à des points de collecte correspondants.

Pour en savoir plus:
www.quefairedemesdechets.fr



FR
Les piles
et batteries
se recyclent

À DÉPOSER
EN MAGASIN



OU

À DÉPOSER
EN DÉCHÈTTERIE



Points de collecte sur www.quefairedemesdechets.fr

 <https://www.tonormic.com>

 support@tonormic.com

EASTWEST ELECTRONIC COMMERCE CO., LIMITED
LEVEL 54 HOPEWELL CENTRE 183 QUEEN'S ROAD
EAST HONG KONG

EASTWEST ELECTRONIC COMMERCE CO US LIMITED
3500 SOUTH DUPONT HIGHWAY, SUITE G106
DOVER, DE 19901 UNITED STATES

LIFEWIT LIMITED
FLAT 237, 233 HIGH STREET CROYDON SURREY
ENGLAND CR0 1FY UNITED KINGDOM

Lifewit GmbH
Friedenstraße 5 97072 Wuerzburg Germany

MADE IN CHINA