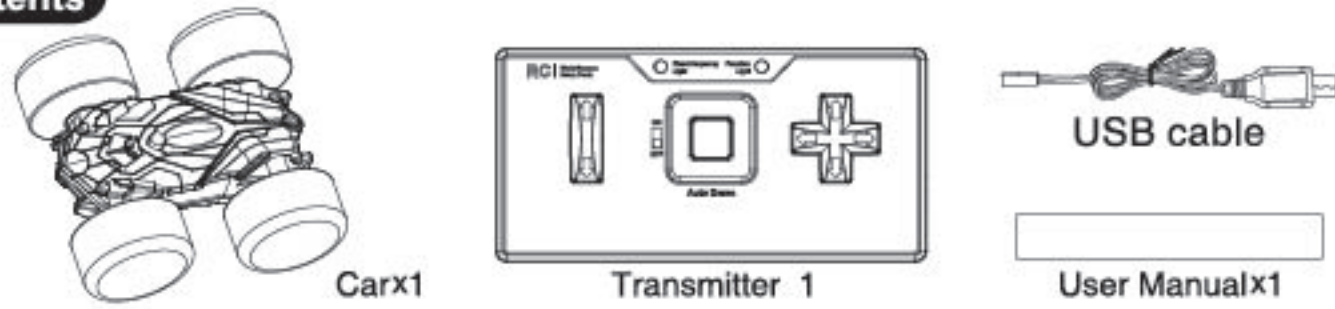
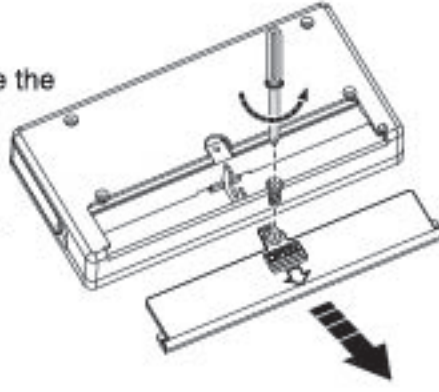


Contents

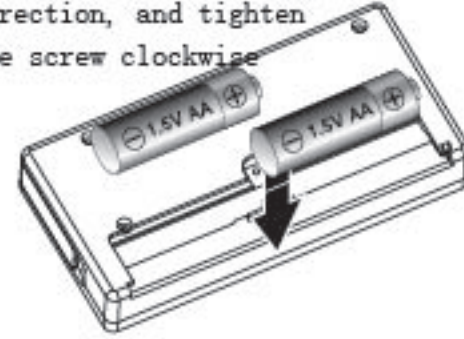


Preparation

1. Use a screwdriver to loose the screw on battery cover of transmitter by counter-clockwise, take out the battery cover according arrow direction.



2. Lower the battery in the positive direction first, then the battery in the negative direction, and tighten the screw clockwise.



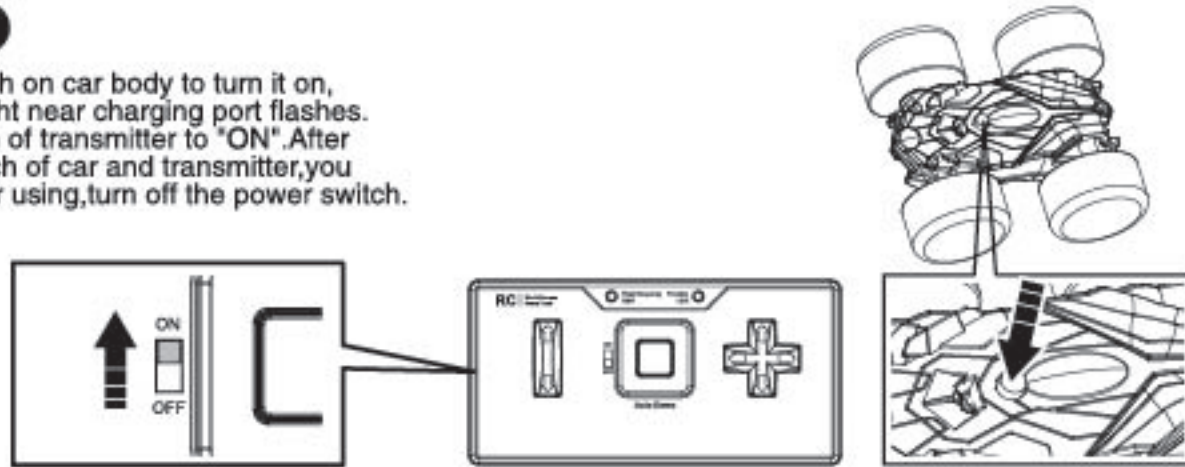
USB charging

Connect USB charging socket with computer, at this time, the indicator light of USB goes off, and then plug the USB charger plug into the charging port of car body, the indicator light of USB will light up continuously, the light will go off when fully charged. The charging time is about 15 minutes, and playing time is about 8-10 minutes.



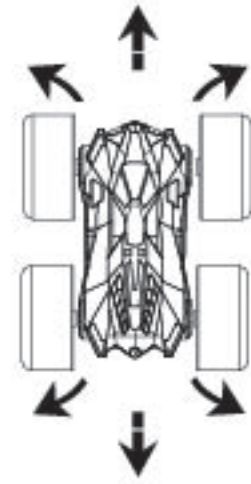
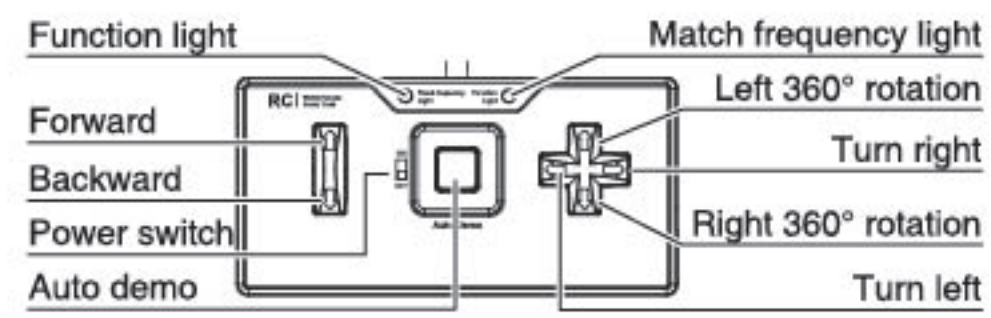
Operation

1. Press the switch on car body to turn it on, then the red light near charging port flashes. Turn the switch of transmitter to "ON". After frequency match of car and transmitter, you can play it. After using, turn off the power switch.



2. Function of transmitter buttons:

- (1). Press the forward and backward buttons, then can use it, the indicator light on transmitter will light up when press button. (The indicator light of transmitter will light up when press any button of controller).
- (2). When press forward/backward button, the car goes forward/backward.
- (3). Press the button of turn left/turn right while the car is going forward/backward, then the car will make left/right turn.



Caution:

- The car body with 2.4V Li-ion rechargeable battery, transmitter with 2*1.5V AA batteries
- Batteries are to be inserted with the correct polarity;
- Non-rechargeable batteries are not to be recharged;
- Rechargeable batteries are only to be charged under adult supervision;
- Different types of batteries or new and used batteries are not to be mixed;
- The supply terminals are not to be short-circuited;
- The car is with powerful power, when the car in high speed, please do not brake suddenly because of inertia cause;
- When the speed slows down, it means that there is not enough electricity in the car body, please charge the car;
- When the controller power shortage, match frequency light will darken or off, please change the battery of transmitter;
- Please identify the charging jack and charging port when charging;
- Please use the correct USB charger, otherwise will damage the product;
- Please take batteries out from transmitter when it's not in use for a long time, and turn power switch to "OFF";
- Unpacking shall be carried out under the guidance of adults ;
- The packaging has to be kept since it contains important information.

This device complies with Part 15 of the FCC Rules. Operation is subject to the following two conditions: (1) this device may not cause harmful interference, and (2) this device must accept any interference received, including interference that may cause undesired operation.

Warning: changes or modifications not expressly approved by the party responsible for compliance could void the user's authority to operate the equipment.

Note: This equipment has been tested and found to comply with the limits for a Class B digital device, pursuant to Part 15 of the FCC Rules. These limits are designed to provide reasonable protection against harmful interference in a residential installation. This equipment generates, uses and can radiate radio frequency energy and, if not installed and used in accordance with the instructions, may cause harmful interference to radio communications. However, there is no guarantee that interference will not occur in a particular installation.

If this equipment does cause harmful interference to radio or television reception, which can be determined by turning the equipment off and on, the user is encouraged to try to correct the interference by one or more of the following measures:

- Reorient or relocate the receiving antenna.
- Increase the separation between the equipment and receiver.
- Connect the equipment into an outlet on a circuit different from that to which the receiver is connected.
- Consult the dealer or an experienced radio/TV technician for help.