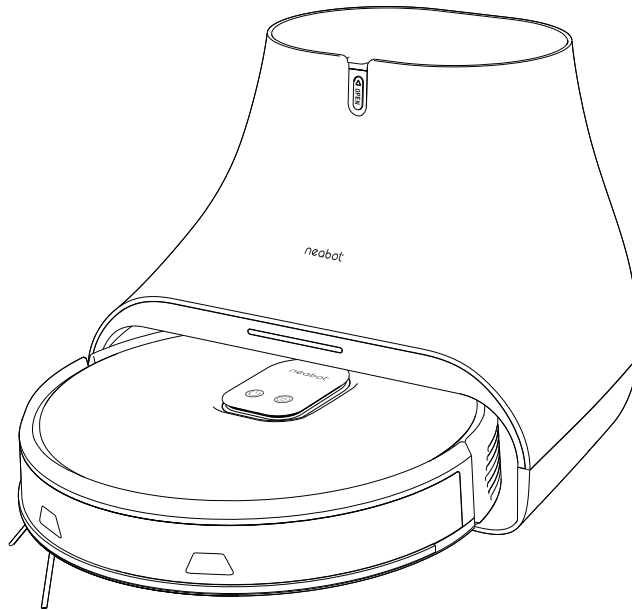


# Neobot with Self-Emptying Dustbin

# User Guide



Neobot C1

Caution: The user is cautioned that changes or modifications not expressly approved by the party responsible for compliance could void the user's authority to operate the equipment.

This device complies with Part 15 of the FCC Rules. Operation is subject to the following two conditions: (1) this device may not cause harmful interference, and (2) this device must accept any interference received, including interference that may cause undesired operation.

NOTE: This equipment has been tested and found to comply with the limits for a Class B digital device, pursuant to Part 15 of the FCC Rules. These limits are designed to provide reasonable protection against harmful interference in a residential installation. This equipment generates, uses and can radiate radio frequency energy and, if not installed and used in accordance with the instructions, may cause harmful interference to radio communications. However, there is no guarantee that interference will not occur in a particular installation.

If this equipment does cause harmful interference to radio or television reception, which can be determined by turning the equipment off and on, the user is encouraged to try to correct the interference by one or more of the following measures:

- Reorient or relocate the receiving antenna.
- Increase the separation between the equipment and receiver.
- Connect the equipment into an outlet on a circuit different from that to which the receiver is connected.
- Consult the dealer or an experienced radio/TV technician for help.

#### FCC Radiation Exposure Statement

This equipment complies with FCC radiation exposure limits set forth for an uncontrolled environment. This equipment should be installed and operated with a minimum distance of 20cm between the radiator and your body.

This transmitter must not be co-located or operating in conjunction with any other antenna or transmitter.

The module in this product is labeled with its own FCC ID. The FCC ID is not visible when the module is installed inside another device. Therefore, the outside of the device into which the module is installed must also display a label referring to the module. The final end device must be labeled in a visible area with the following

“Contains FCC ID: 2AMM6-825X1CA”

---

## *User Guide*

• Safety Information	1-2
• Package Includes	3
• About Your Robot Vacuum	4-7
• About Your Self-Emptying Dustbin	8-9
• About Your Product Specifications	10
• Get Started	11-14
• Trouble Shooting	15
• Customer Support	15
• Care and Maintenance	16-23
• Warranty	24-25

# Safety Information

---

## General Warning

- Your robot is not a toy. Small children and pets should be supervised when your robot is operating.
- Do not sit or stand on your robot or charging station.
- Do not use unauthorized chargers. Use of an unauthorized charger could cause the battery to generate heat, smoke, catch fire, or explode.
- Your robot comes with a region approved power supply cord and is designed to be plugged into a standard household AC power outlet only. Do not use any other power supply cord. For replacement cords, please contact Customer Support to ensure proper selection of country specific power supply cord.
- Do not open your robot or charging station. There are no user serviceable parts inside. Refer servicing to qualified service personnel.
- Risk of electric shock, use indoors in dry location only.
- Do not handle your robot or charging station with wet hands.
- Store and operate your robot in room temperature environments only.
- If the room to be cleaned contains a balcony, a physical barrier should be used to prevent access to the balcony and ensure safe operation.

# Safety Information

---

## Battery & Charging Warnings

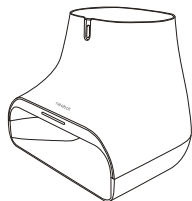
- Do not use a charging station with a damaged cord or plug. If the cord or plug is damaged, it must be replaced.
- Always disconnect your robot from the charging station before maintenance.
- Charge your robot only with the power supply provided. The provided power supply delivers safety extra low voltage corresponding to the input marking on the robot which is required to maintain safe operation.
- Do not open, crush, heat above 176°F/80°C, or incinerate. Follow manufacturer's instructions.
- Do not short-circuit the battery by allowing metal objects to contact battery terminals or immerse in liquid.
- Do not subject batteries to mechanical shock.

## Cautions

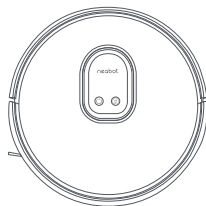
- Do not operate the robot in areas with exposed electrical outlets in the floor.
- If the device passes over a power cord and drags it, there is a chance an object could be pulled off a table or shelf. Before using this device, pick up objects like clothing, loose papers, pull cords for blinds or curtains, power cords, and any fragile objects.
- Be aware that the robot moves on its own. Take care when walking in the area that the robot is operating in to avoid stepping on it.
- Do not use this device to pick up sharp objects, glass, or anything that is burning or smoking.

# Package Includes

---



Self-Emptying Dustbin\*1

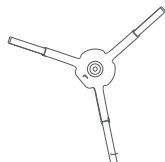


Robot Vacuum\*1

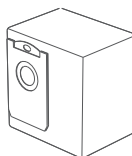


User Guide\*1

## Accessories:



Side Brush\*2



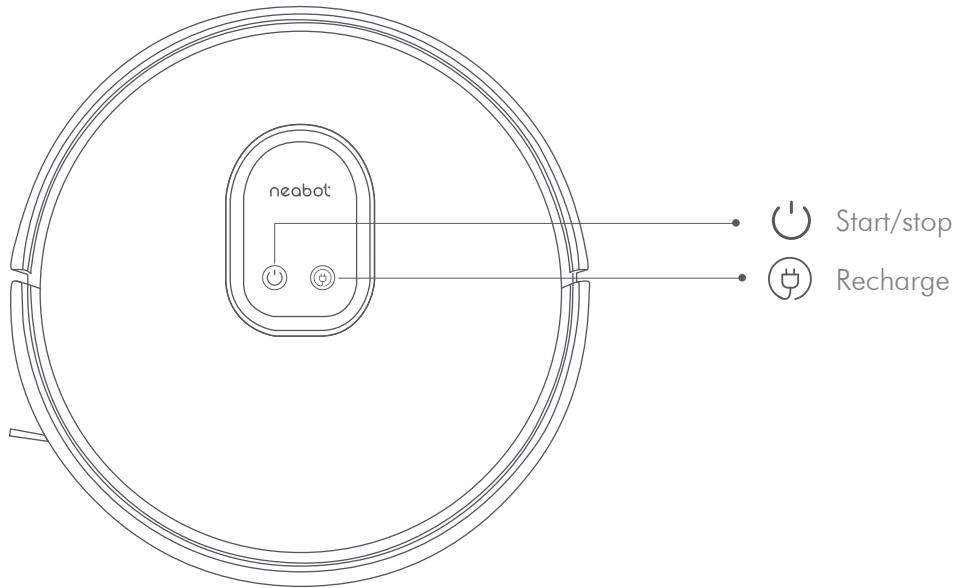
Dust Bag\*2

**Note:** If you find something missing in your package,  
please contact customer support via [support@neobot.com](mailto:support@neobot.com) in time.

# About Your Robot Vacuum

---

## Front View



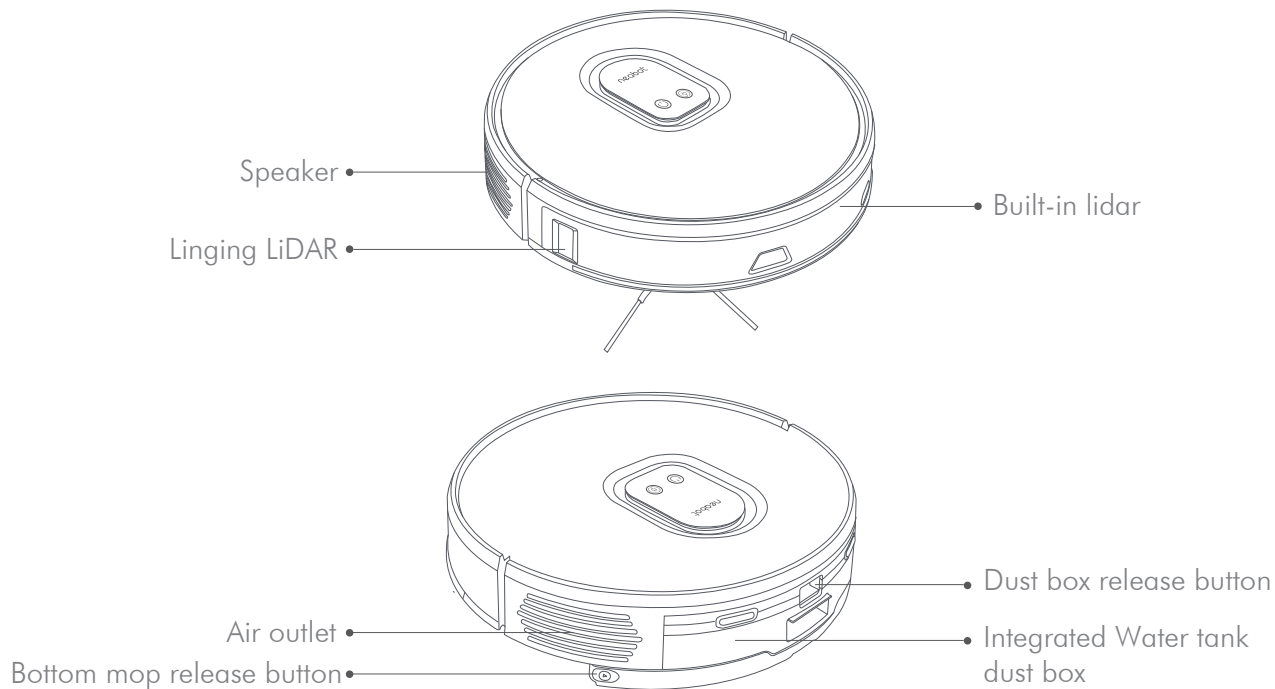
## Spot Cleaning

Short press the Spot Cleaning button to start. This mode is used to clean a square area of 1.6\*1.6m/5.2\*5.2ft centered on the robot. After the cleaning is finished, the robot will automatically return to the starting position and stop working

# About Your Robot Vacuum

---

## Top View

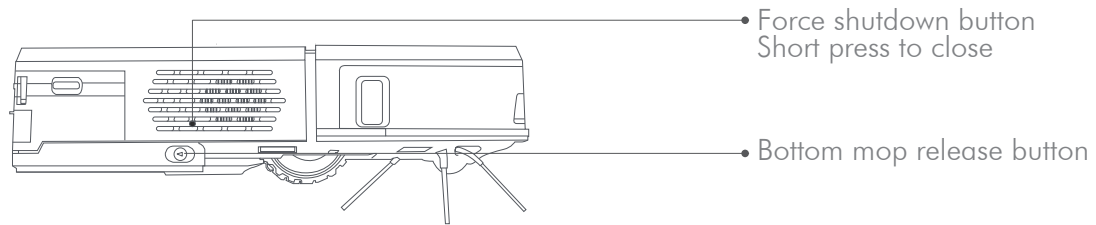




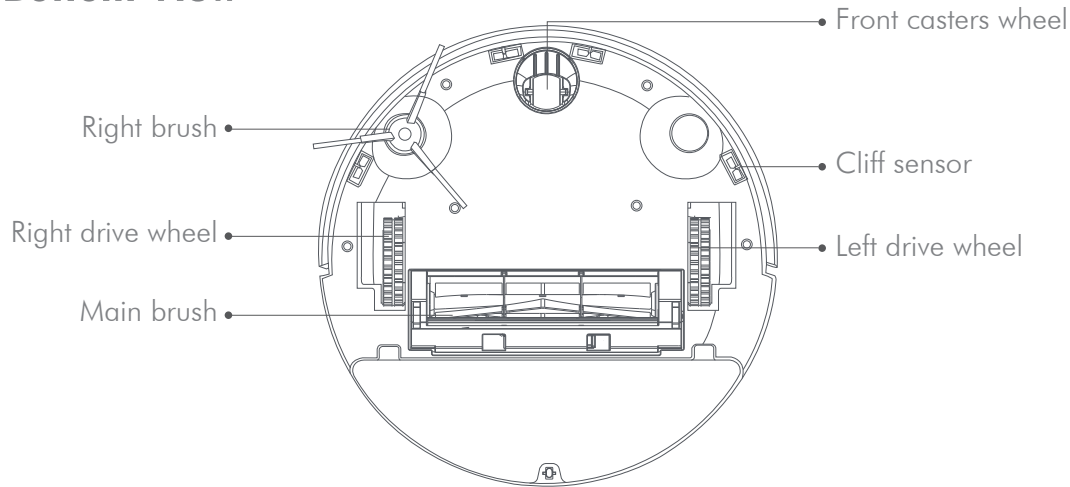
# About Your Robot Vacuum

---

## Side View



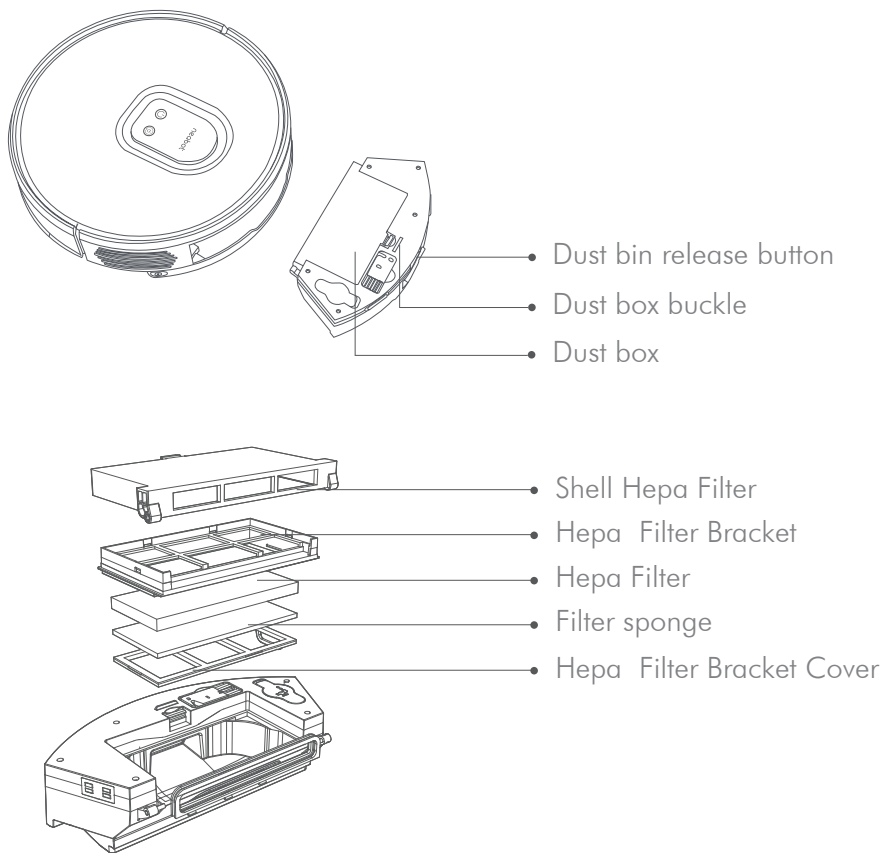
## Bottom View



# About Your Robot Vacuum

---

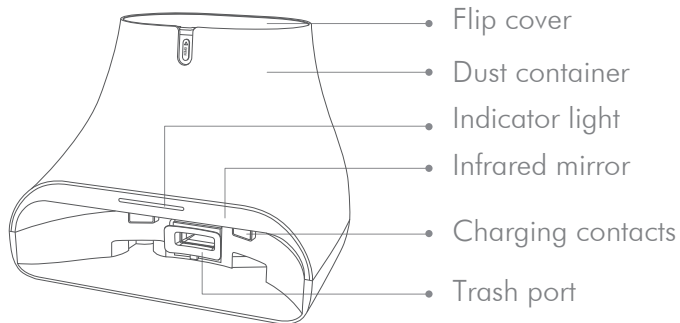
## About your Dust box



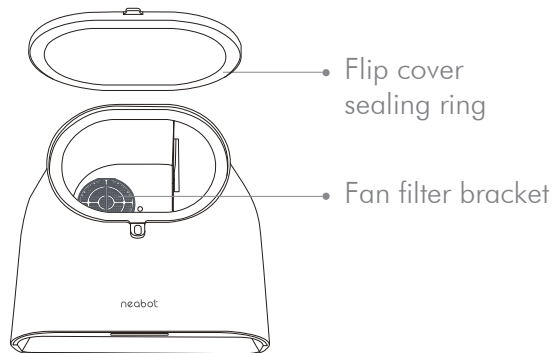
# About Your Self-Emptying Dustbin

---

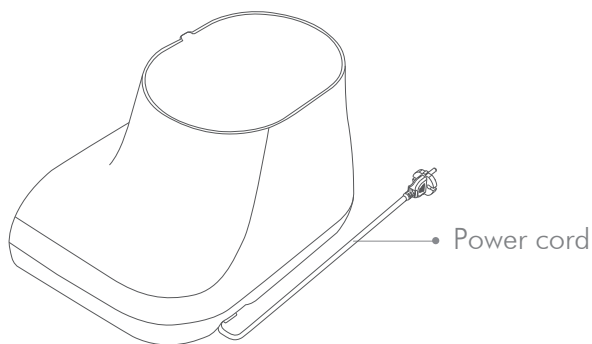
Front View



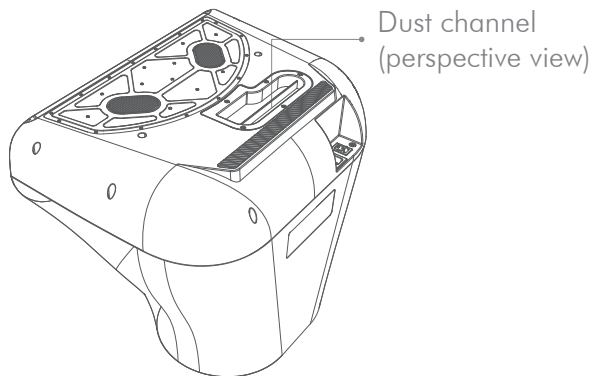
Top View



Back View



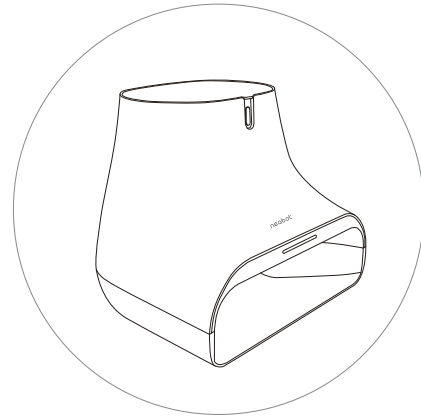
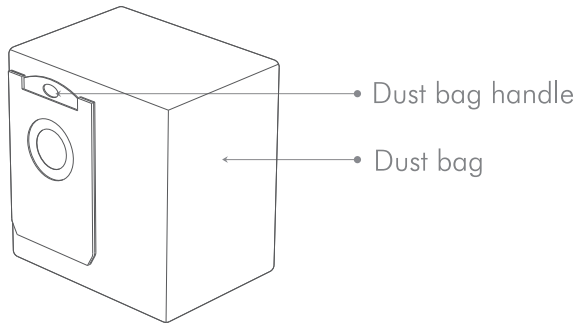
Bottom View



# About Your Self-Emptying Dustbin

---

## About your Dust Bags



# About Your Product Specifications

---

## 1. Product Specifications

### Neabot NoMo Max Robot Vacuum

<b>Product Model</b>	RS0030W
<b>Rated Input</b>	24V $\approx$ 1A
<b>Working Voltage</b>	14.4V $\approx$
<b>Product Dimensions</b>	350*350*87mm

### Self-emptying Dustbin

<b>Product Model</b>	DS0030W
<b>Rated Input</b>	100V~ 50/60Hz
<b>Rated Output</b>	24V $\approx$ 1A
<b>Power (working state)</b>	1050W
<b>Product Dimensions</b>	396*274*315mm
<b>Net Weight</b>	About 5.3kg

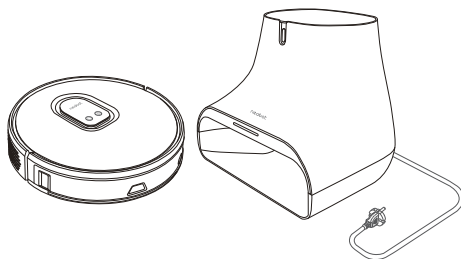
Due to the continuous improvement of the product, the product in this information is subject to the actual product, and our company reserves the right to update the product.

# Get Started

---

## 1. Get Ready

To start, you'll need your robot, self-emptying dustbin. Set other accessories aside for later.



## 2. Position the Self-Emptying Dustbin

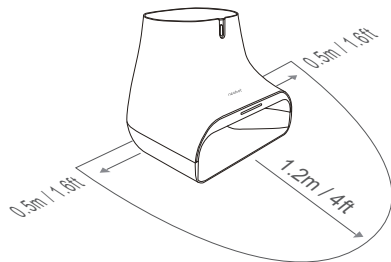
Place self-emptying dustbin near an outlet in an area with good Wifi-coverage. The Dustbin should be placed on flat ground more than 6cm/2.4inch away from the wall.



# Get Started

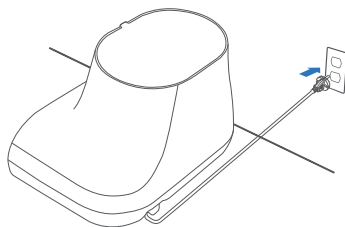
---

Ensure there is a space of more than 1.2m/4ft at the front, and more than 0.5m/1.6ft on both sides of the dustbin.



## 3. Plug in

Plug the power cord into the wall. Wrap the cord back so it won't get in the way of the robot as it comes and goes.

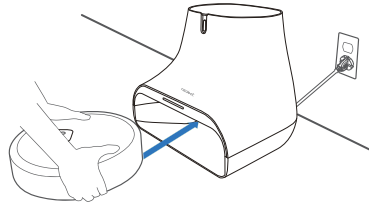


# Get Started

---

## 4. Wake up NoMo

Place your robot on the self-emptying dustbin by lining up the metal contacts. After a few minutes, a sound will let you know it's awake.



## 5. App Setup

Connect your phones to wifi and download the Neobot Home App. Sign up with your email and follow the steps below to complete the setup.



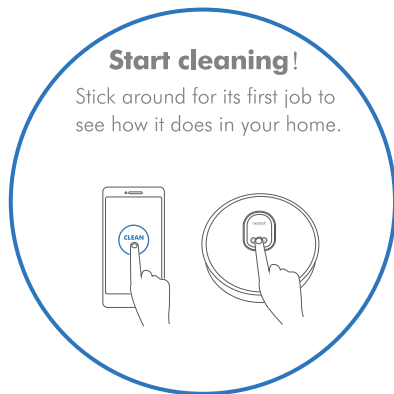


# Get Started

---

## 6. Cleaning

You can use the app, press the start button on the robot or use the remote control to make your robot work.



### Cleaning All

After start-up, the robot will explore and create a real-time map of your house and then plan the best cleaning path.

### Choose Areas

With the Neabot app, you can switch between cleaning modes, schedule cleaning, select room cleaning, create virtual no-go zones, set zones to clean.

## 7. Recharge & Self-Empty

Once the cleaning is done, your robot will automatically return to the self-emptying dustbin to empty its bin and recharge as needed.

The robot vacuum will return to charge automatically when the battery gets low, and resume cleaning from where it left off until the job is complete.

## 8. Sleep-Mode

If there is no operation for more than 20 minutes, the robot will automatically enter into sleep-mode. ( Note: The robot will not enter sleep-mode while charging. )

# Trouble Shooting

---

Your robot will tell you something is wrong by playing an audio alert and turning the light ring indicator yellow. Further support and instructional videos are available in the Neabot Home App and [www.neabot.com](http://www.neabot.com)

## Customer Support

If you have other questions or comments about your robot vacuum, You can start by visiting [www.neabot.com](http://www.neabot.com) for support tips, frequently asked questions and information about accessories. This information can also be found in the Neabot Home App. If you need further assistance, contact us via [support@neabot.com](mailto:support@neabot.com)

# Care and Maintenance

---

## Care and Maintenance Instructions

To keep your robot running at peak performance, perform the procedures on the following pages. If you notice the robot picking up less debris from your floor, empty the bin, clean the filter and clean the brushes.

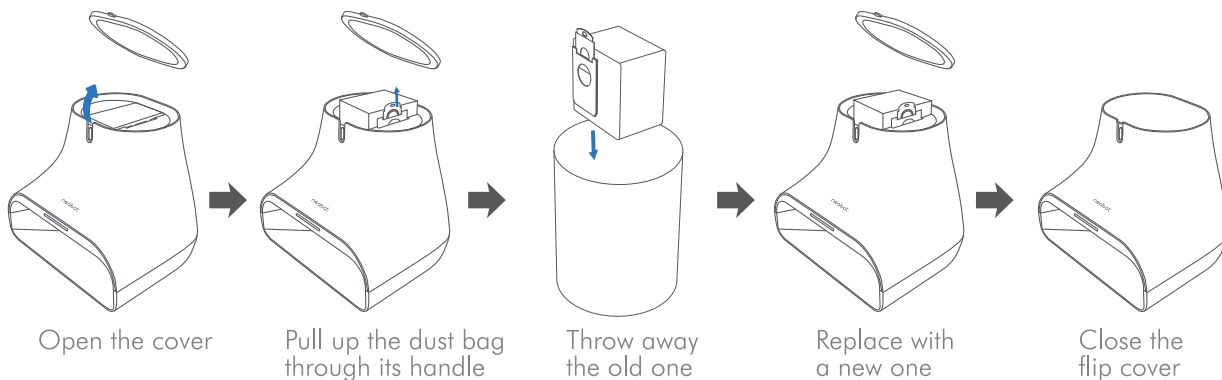
Part	Care Frequency	Replacement Frequency*
Dust Bags	/	Bags should be replaced when prompted by the LED indicator (Yellow light flashes) It is recommended to replace every 1-3 weeks
Dust tunnel	If the yellow light indicator flashes but the dust bag is not full	/
Main Brush	Clean every week	Every 3-6 months
Side Brush	Clean every week	Every 1-3 months
Dustbin	Wash bin as needed	
Filter	Clean once a week ( twice a week if you have a pet ). Do not wash.	Every 1-2 months
Front Caster Wheel	Clean every 2 weeks	Every 12 months
Sensors and Charging Contacts	Clean once a month	

**Note:** Neabot manufactures various replacement parts and assemblies. If you think you need a replacement part, please contact us or visit [neabot.com](http://neabot.com)

\*Replacement frequency may vary. Parts should be replaced if visible wear appears.

# Care and Maintenance

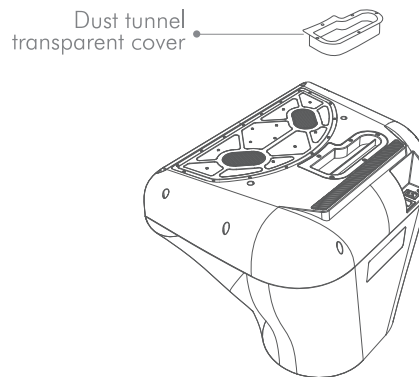
## Replacing Bags



## Cleaning Dust Tunnel

If the yellow light indicator flashes but the dust bag is not full, unplug the power supply of the dustbin and turn it upside down. Check if the transparent cover of the dust tunnel at the bottom shows any foreign items causing a blockage. If it is blocked, use a screwdriver to remove the screws and open the transparent cover as shown in the figure and clean out the foreign items.

**Note:** Do not remove it by force, please use a screwdriver.

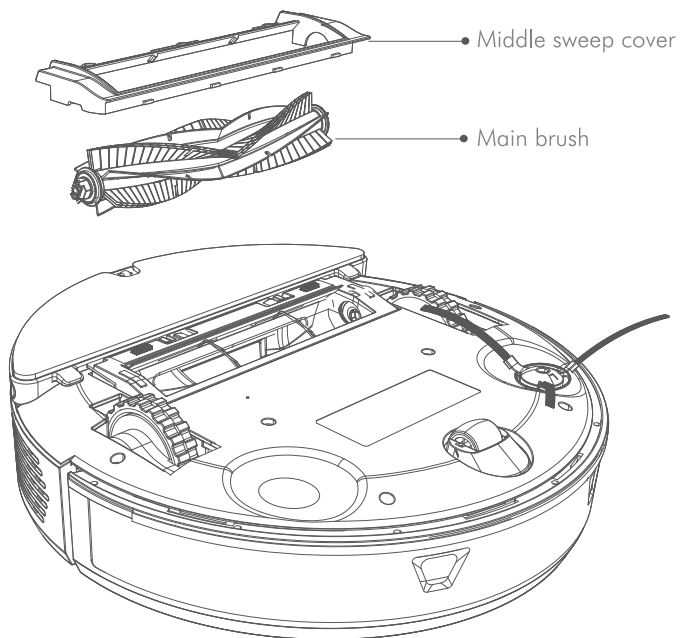


# Care and Maintenance

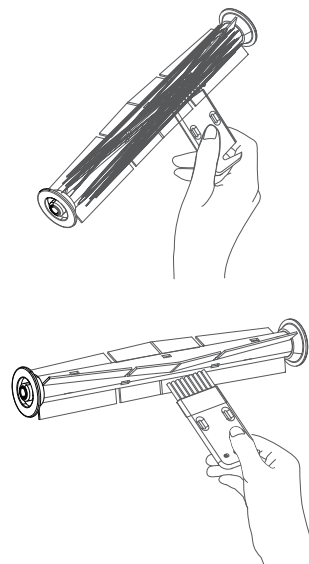
---

## Cleaning the Main Brush

1. Turn the main unit, press the left and right buckles, and remove the middle sweep cover.



2. Remove the main brush upwards and clean the entangled hair and debris with a cleaning brush.

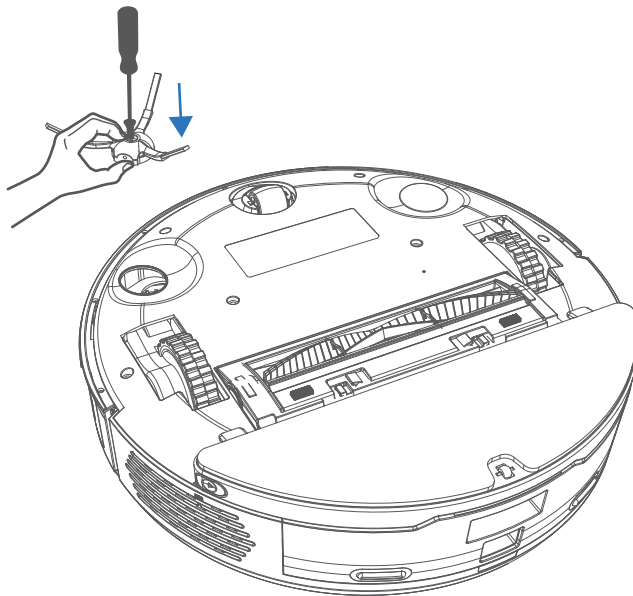
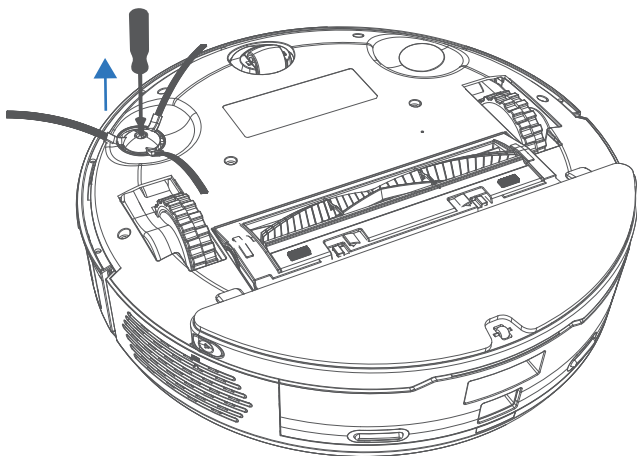


# Care and Maintenance

---

## Cleaning Side Brush

1. Use a coin or small screwdriver to remove the screw holding the side brush in place.
2. Remove any hair or debris, then reinstall the side brushes.

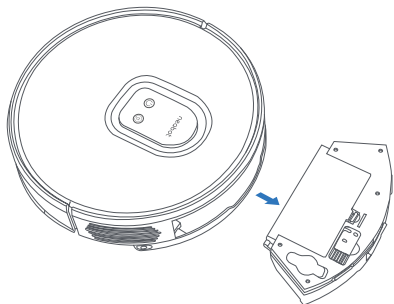


# Care and Maintenance

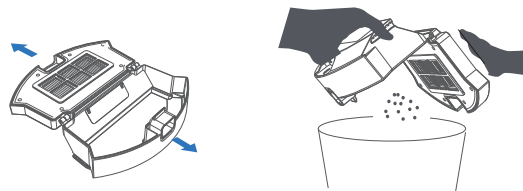
---

## Cleaning Dustbin and Filter

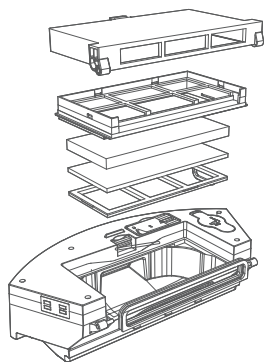
1. Press the dust box release button to removes the dust box.



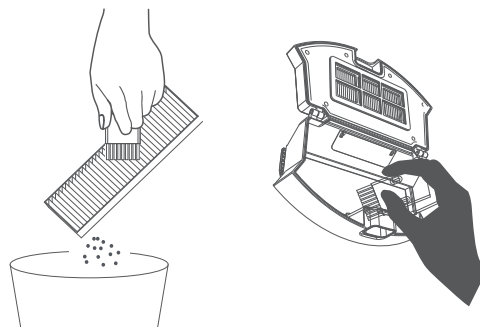
2. Open the dust box and dump out the garbage.



3. Open the dust cover and remove the filter such as heap and sponge.



4. Shake off the trash on the filter net and use a cleaning brush to clean the dust box and filter. (Wash the dustbin as needed)

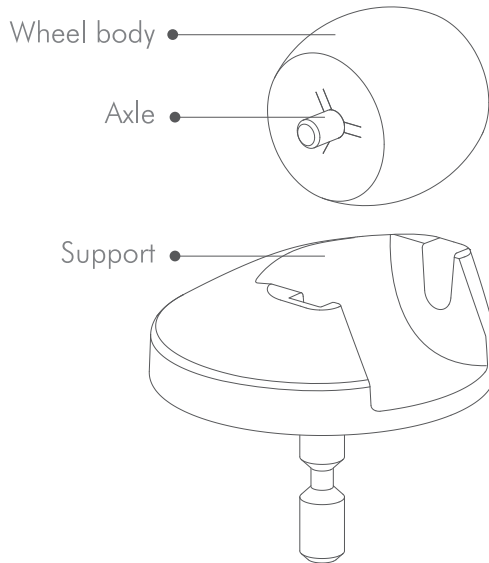


# Care and Maintenance

---

## Cleaning the Front Caster Wheel

- Pull firmly on the front wheel module to remove it from the robot.
- Pull firmly on the wheel to remove it from its housing (see illustration below).
- Remove any debris from inside the wheel cavity.
- Reinstall all parts when finished. Make sure the wheel clicks back into place.





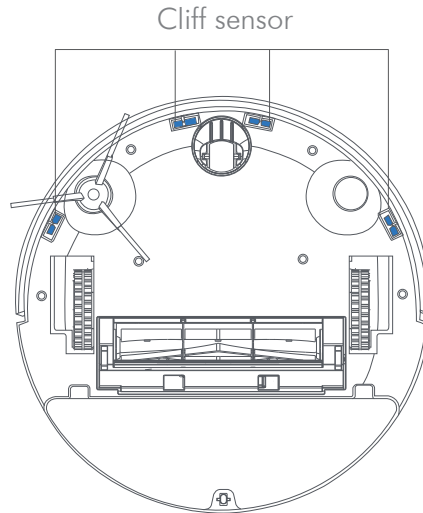
# Care and Maintenance

---

## Cleaning Sensors

Wipe sensors with a clean, dry cloth, including

- 4 cliff sensors at the bottom of the robot.
- Charging contacts at the bottom of the robot.



# Care and Maintenance

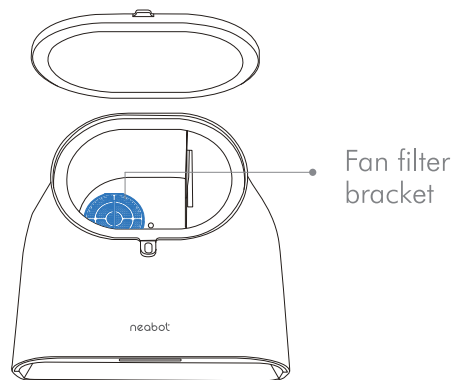
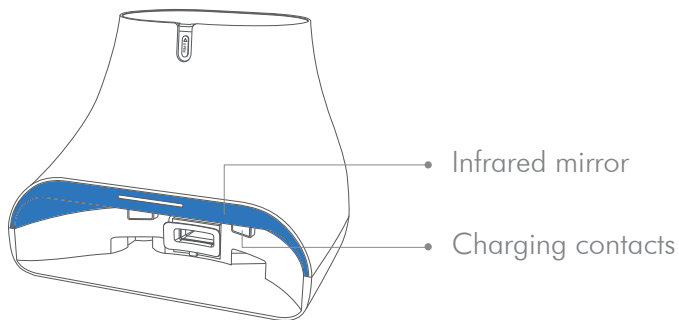
---

## Cleaning the Self-Emptying Dustbin

Inspect the sensors and charging contacts to make sure they are clear of debris. Wipe with a clean, dry cloth.

**Note:** Do not spray cleaning solution directly onto sensors or into sensor openings.

Removing debris from blower cover: Inspect blower cover for any lint or debris built-up, and wipe with a clean dry cloth to remove.



# Warranty

---

## Warranty Overview

Neabot ('We', 'Our', 'Us') warrants that, subject to the exclusions and limitations set out below, this Product (including batteries if applicable) shall be in good working order during the period of one (1) year from the date of purchase (the 'Warranty Period'). In the event that the Product fails to meet the warranty standard to our reasonable satisfaction, we will within a commercially reasonable time, free of charge, either repair or replace the Product as described below.

**Note:** As far as applicable laws permit, the Warranty Period will not be extended or renewed or otherwise affected due to subsequent exchange, resale, repair or replacement of the Product.

## Making a Claim under the Limited Warranty

If you wish to make a warranty claim, please contact us via [support@neabot.com](mailto:support@neabot.com)

**Note:** Please provide your order information in the mail.

## Limitation of Neabot's Liability

To the extent permitted by applicable law, Neabot's liability shall be limited to the purchase value of the Product. The above limitations shall not apply in case of gross negligence or intentional misconduct of Neabot or in case of death or personal injury resulting from Neabot's proven negligence.

# Warranty

---

## What Is Not Covered?

Unless agreed in writing, the limited warranty will not apply if the defect(s) relate to:

- (a) normal wear and tear (including, without limitation, wear and tear of batteries if applicable).
- (b) defects caused by rough or inappropriate handling or use or damage caused by accident, misuse, neglect, fire, water, lightning or other acts of nature.
- (c) if the product contains a battery and the fact that the battery has been short-circuited, if the seals of the battery enclosure or the cells are broken or show evidence of tampering or if the battery has been used in equipment other than those for which it has been specified,
- (d) non-compliance with the product instructions.
- (e) wilful or deliberate damage, neglect or negligence.
- (f) use of spare parts, an unauthorized cleaning solution if applicable, or other replacement items (including consumables) which are not provided or recommended by us.
- (g) any alteration or modification to the product which has been carried out by you or a third party not authorised by us.
- (h) any failure to adequately package the product for transportation.
- (i) extreme or external causes beyond our reasonable control including, but not limited to, breakdowns, fluctuations, or interruptions in electric power, ISP (internet service provider) service, or wireless networks.