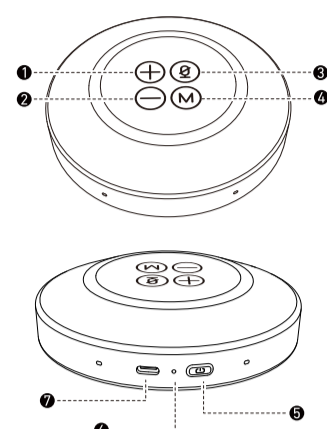


AIHOOR

AIHOOR C1  
USER MANUAL

Thank you for purchasing the AIHOOR C1 Bluetooth Speakerphone. Please read this user manual carefully and keep it for future reference. If you need any assistance, please contact our support team with your product model number and Amazon order number.

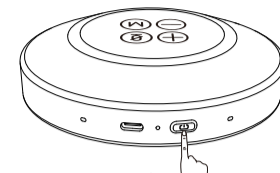
**Product Diagram**



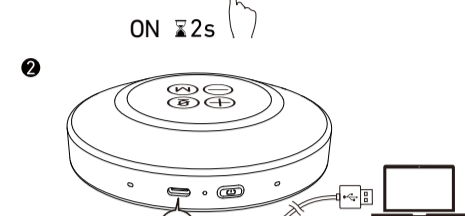
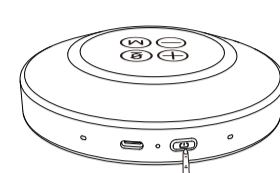
- 1. Volume up button
- 2. Volume down button
- 3. Mute button with LED
- 4. Multi-function button
- 5. Power button
- 6. Power LED
- 7. USB-C input part

**Using Your Product**

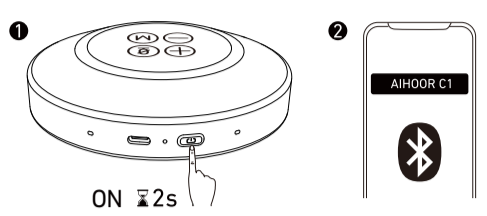
**1. Powering on/off**  
Press and hold the power button for 2 seconds to power on or off.



**2. Connecting**  
a) Connect to your device using a USB cable.



b) Connect to your device via Bluetooth.  
It will automatically enter Bluetooth pairing mode when powered on for the first time.



\*To disconnect and reenter pairing mode, double press the power button. To switch between Bluetooth and wired connection, press and hold the multi-function button for 2 seconds.

**3. Button Controls**

+/-	Press	Volume up / down
	Press and hold	Next / Previous track
M	Press	Answer a call
	Press and hold	Play / Pause music
	Press and hold	End / Reject a call
	Press twice	Activate voice assistant of the host device
Q	Press	Mute / Enable the microphone

**4. Charging**  
Please charge this product for at least 1 hour before first use.



**Power LED Status**

Solid red	Charging
Off	Fully charged

**Mute Button LED Status**

When this product enters pairing mode, the mute button LED will flash blue. When this product is connected to a host device, the mute button LED indicates the following status:

Mic on	Solid blue
Mic off	Solid red
Playing music	Flashing blue
Music paused	Solid blue

**Specifications**

Model	AIHOOR C1
DC Input	5V 2A
Battery capacity	2500mAh
Charging time	2 hours
Fast charging	15 min for 2-hour playtime
Playtime	8 hours
Driver size	2 x 10mm / 1.5"
Microphone	2 x MEMS mic
Frequency response	180Hz - 16kHz
Bluetooth version	5.0
Bluetooth protocols	HSP/HFP/A2DP/AVRCP/SBC
Bluetooth range	60m / 196ft

**Notes**

- Each time this product is powered on, it will automatically pair with the last connected device if available.
- This product will power off if no connection is made during the 5-minute long pairing mode.
- This product will be recharged once connected to a PC.
- In Bluetooth mode, this product will terminate the connection and shut down after 1 hour of inactivity.
- If a disconnection takes place, this product will re-connect to the last connected device. If no connection is made in 5 minutes, it will enter the pairing mode.
- Specifications are subject to change without notice.

**Safety Instructions**

- Read all instructions before use and save these instructions for future reference.
- Extreme temperatures will cause the device to deform.
- Use electronic equipment with caution during thunderstorms.
- Make sure to use an appropriate level of volume.
- Keep out of the reach of children.

**Battery Warning**

This product contains a lithium battery. Please do not disassemble, strike, crush, or place the product into contact with flames. Do not expose to high temperatures or direct sunlight for a prolonged period. If there is any swelling, leakage, odor, or any other abnormality in the battery compartment of the product, cease use immediately. Please dispose of used batteries properly and in accordance with local regulations.

**Warranty & Customer Support**

For questions, support or warranty claims, contact us at the address [www.aihoor.net](http://www.aihoor.net) that corresponds with your region. Please include your Amazon order number and product model number.

**FCC Statement**  
This device complies with part 15 of the FCC rules. Operation is subject to the following two conditions: (1) This device may not cause harmful interference, and (2) this device must accept the interference received, including interference that may cause undesired operation. Changes or modifications not expressly approved by the party responsible for compliance could void the user's warranty for the equipment.  
**NOTE:** This equipment has been tested and found to comply with the limits for a Class B digital device pursuant to part 15 of the FCC rules. These limits are designed to provide reasonable protection against interference to residential environments. This equipment produces, uses, and can receive radio frequency energy and, if not installed and used in accordance with the instructions, may cause harmful interference to radio communications. Therefore, certain restrictions may apply to the operation of this equipment in certain areas, including certain geographical areas. This equipment does not have harmful interference to radio or television reception, which can be determined by using the equipment off state, the manual, or attempting to re-connect the equipment by use or reuse of the following:  
• Reconnect or replace the operating antenna.  
• Disconnect the equipment from the equipment and antenna.  
• Connect the equipment into a circuit different from that in which the receiver is used.  
• Connect the radio to an approved radio TV interference filter.  
This device has been tested to meet specific FCC equipment requirements. This device can be used in portable equipment outside a vehicle installation.