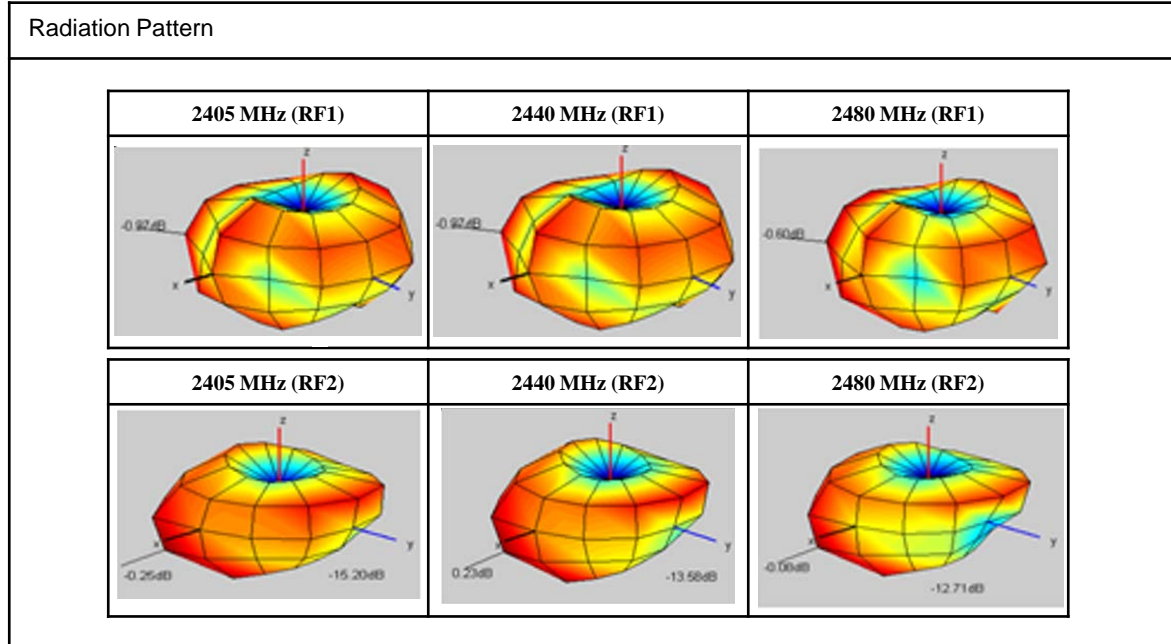
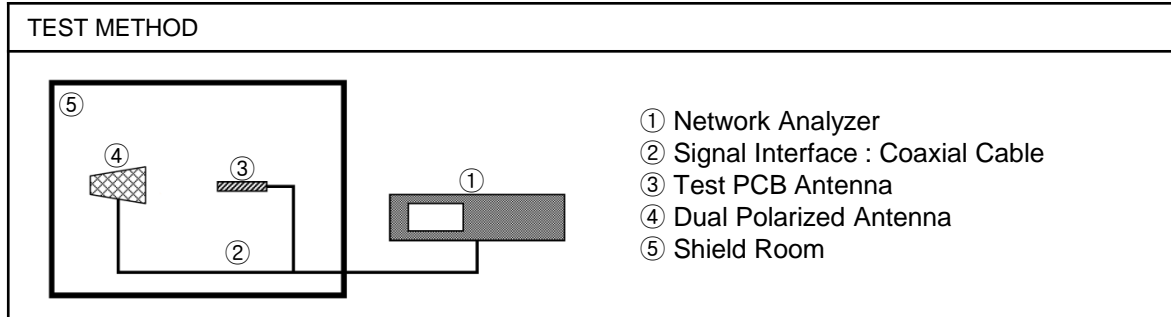


# Antenna Performance

## ▪ Radiation Pattern and Gain



Efficiency

	RF1				RF2			
	2405	2440	2480	TOTAL	2405	2440	2480	TOTAL
Frequency(MHz)	2405	2440	2480	<b>TOTAL</b>	2405	2440	2480	<b>TOTAL</b>
Efficiency(dB)	-3.44	-3.01	-3.58	<b>-3.29</b>	<b>-4.77</b>	<b>-4.18</b>	<b>-4.82</b>	<b>-4.54</b>
Efficiency(%)	45.29	50.05	43.89	46.84	33.38	38.2	32.98	35.19