



# **SETUP PHOTOS EXHIBIT**

**Report Number:** R13824181-EP1

**Applicant :** Waymo  
100 Mayfield Ave.  
Mountain View, CA 94043

**Model :** R6E

**FCC ID :** 2AZKT710-60000W

**EUT Description :** E-Band Automotive Radar Sensor

**Test Standard(s) :** FCC 47 CFR PART 95 SUBPART M

**Date Of Issue:**  
August 3, 2021

**Prepared by:**  
UL LLC  
12 Laboratory Dr.  
Research Triangle Park, NC 27709 U.S.A.  
TEL: (919) 549-1400



---

REVISION HISTORY

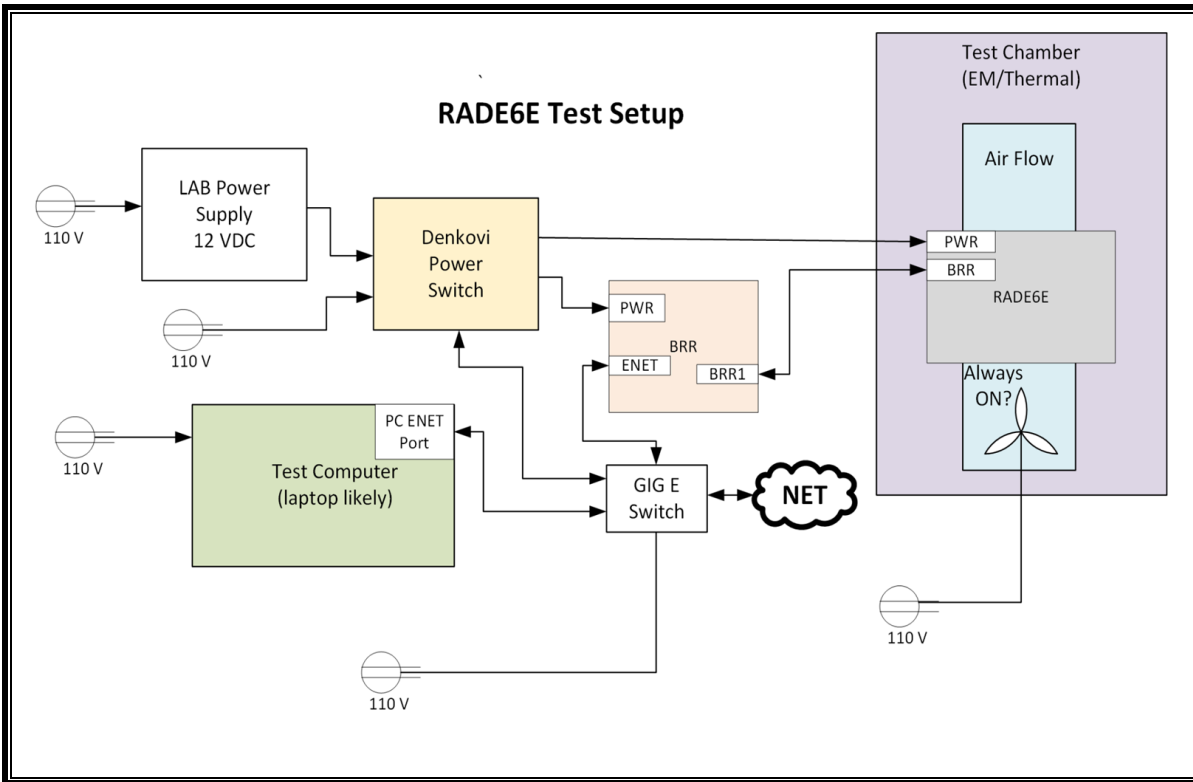
<u>Rev.</u>	<u>Issue Date</u>	<u>Revisions</u>	<u>Revised By</u>
V1	2021-08-03	Initial Issue	M. Antola

---

## TABLE OF CONTENTS

REPORT REVISION HISTORY .....	2
TABLE OF CONTENTS .....	3
1. SETUP DIAGRAMS .....	4
2. SETUP PHOTOS.....	5
END OF TEST REPORT .....	11

# 1. SETUP DIAGRAMS



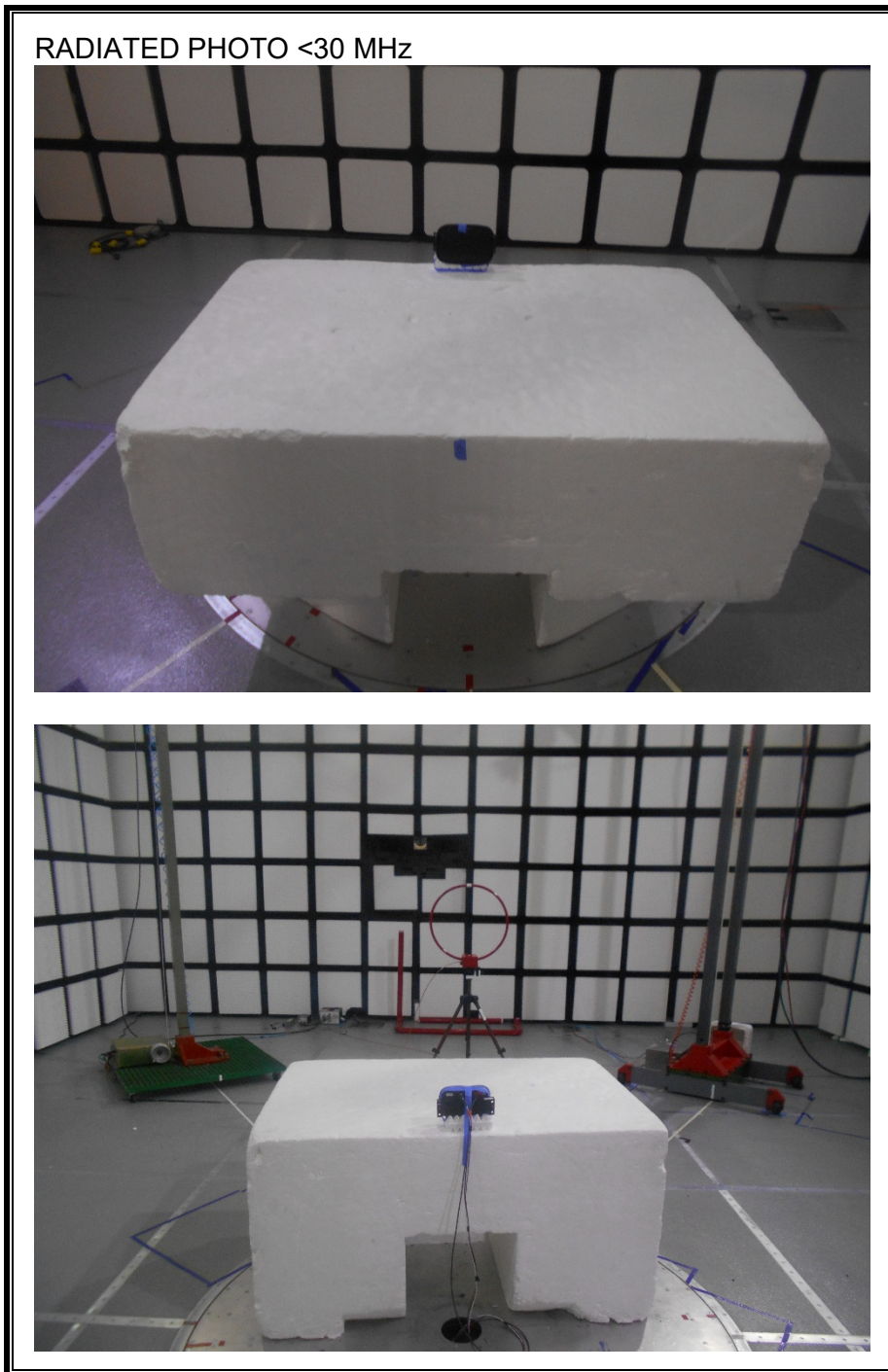
Note: The laptop was connected to the EUT for all measurements.

## 2. SETUP PHOTOS

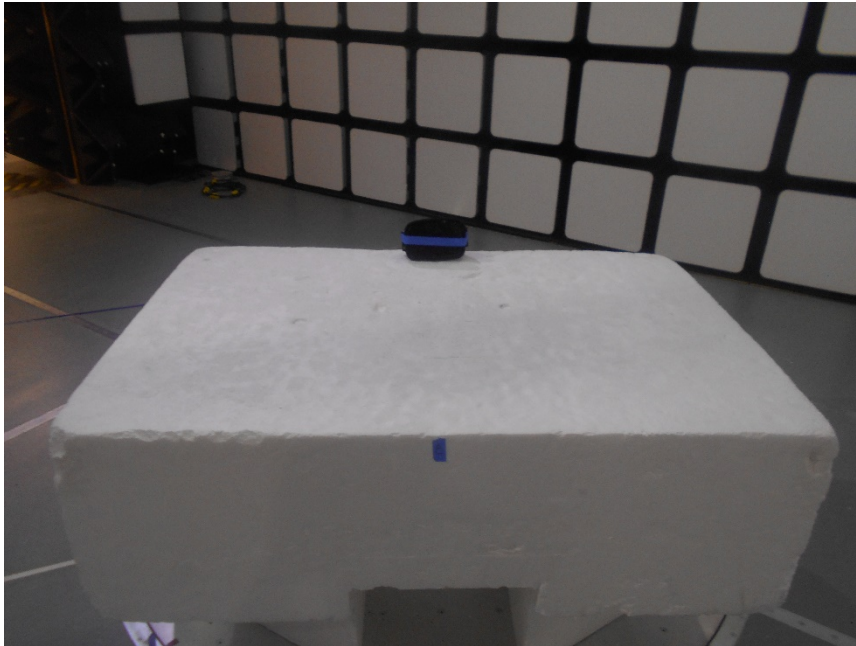
### FREQUENCY STABILITY MEASUREMENT SETUP



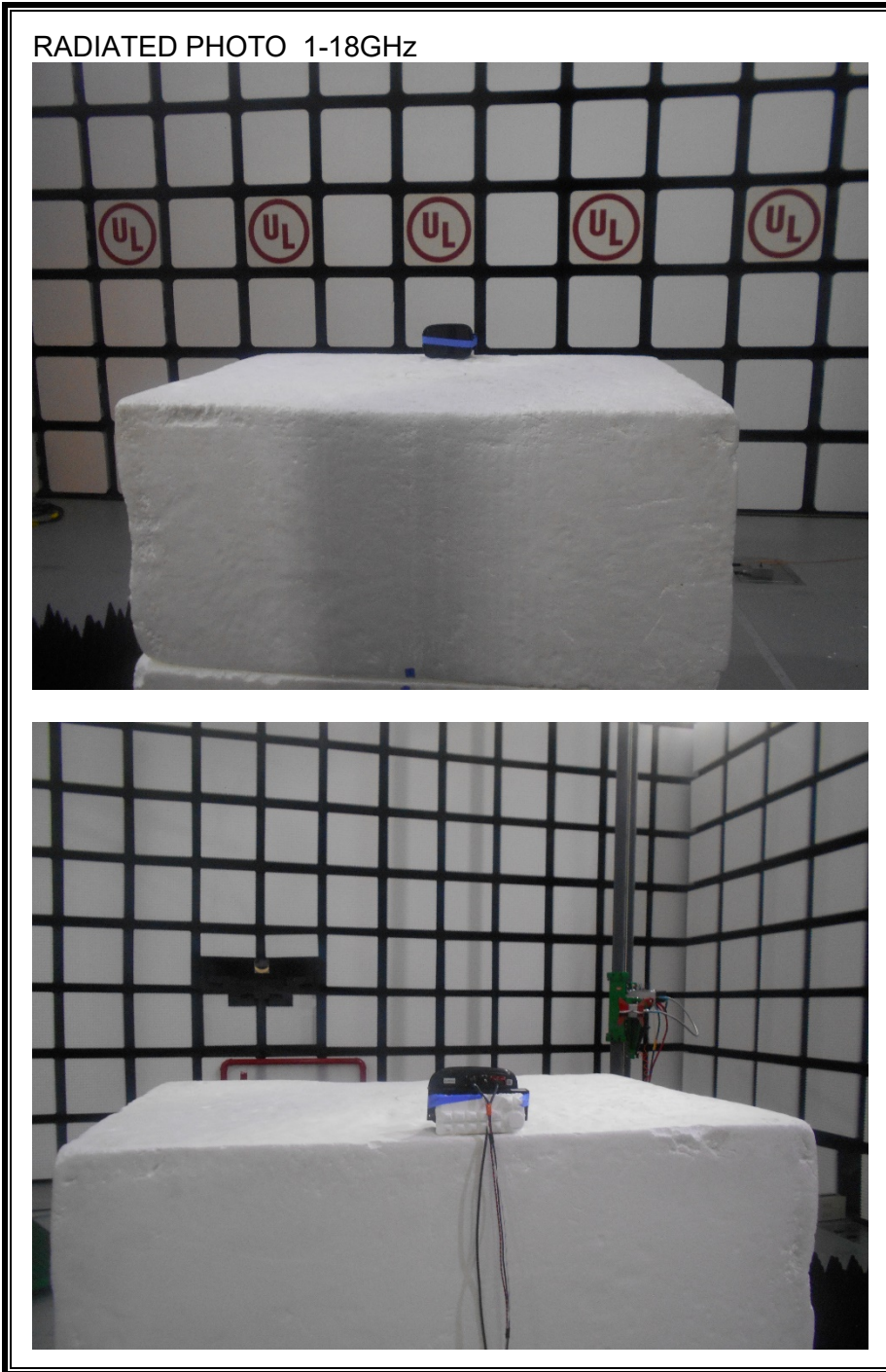
**RADIATED RF MEASUREMENT SETUP**



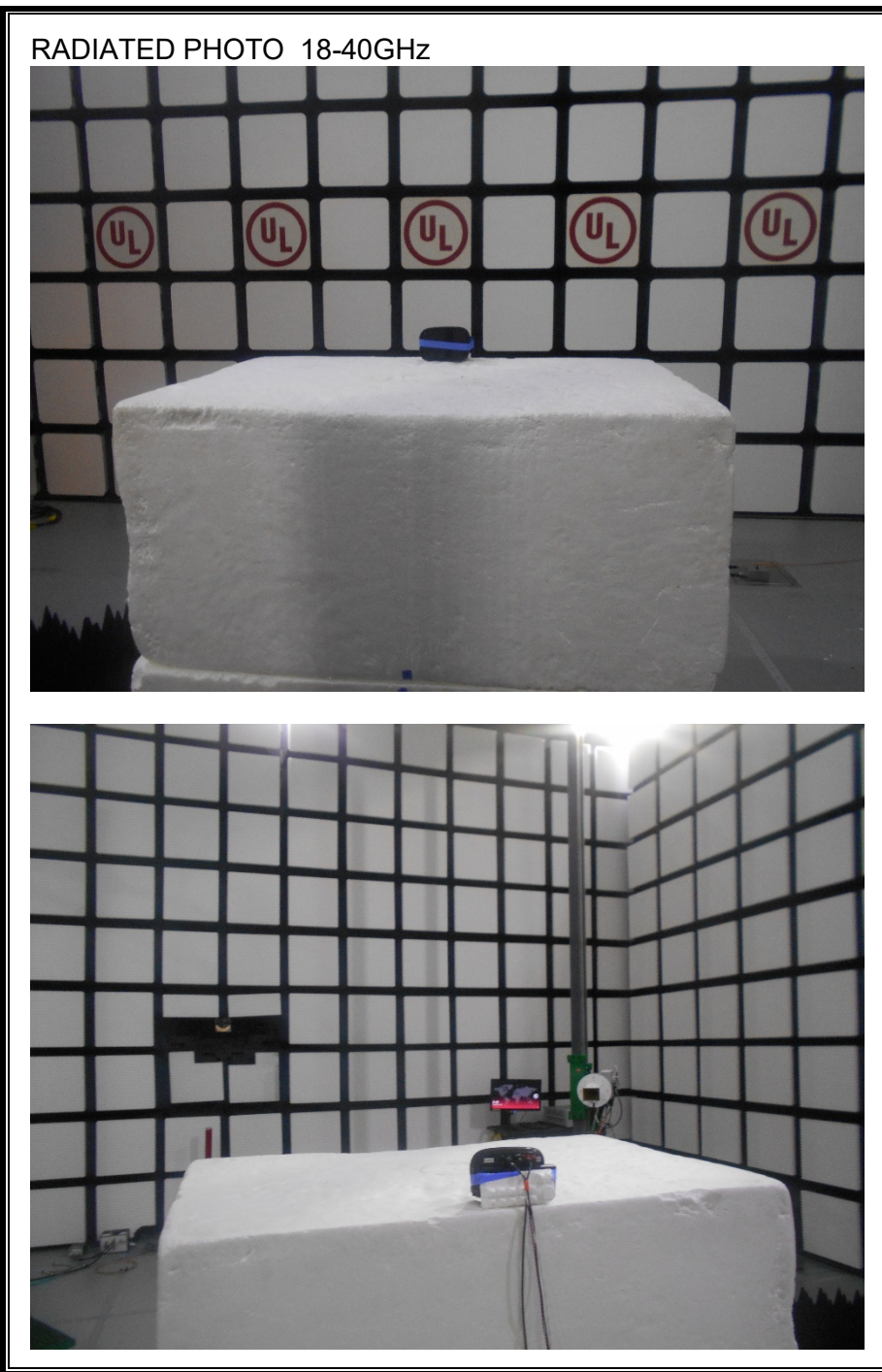
RADIATED PHOTO 30-1000MHz

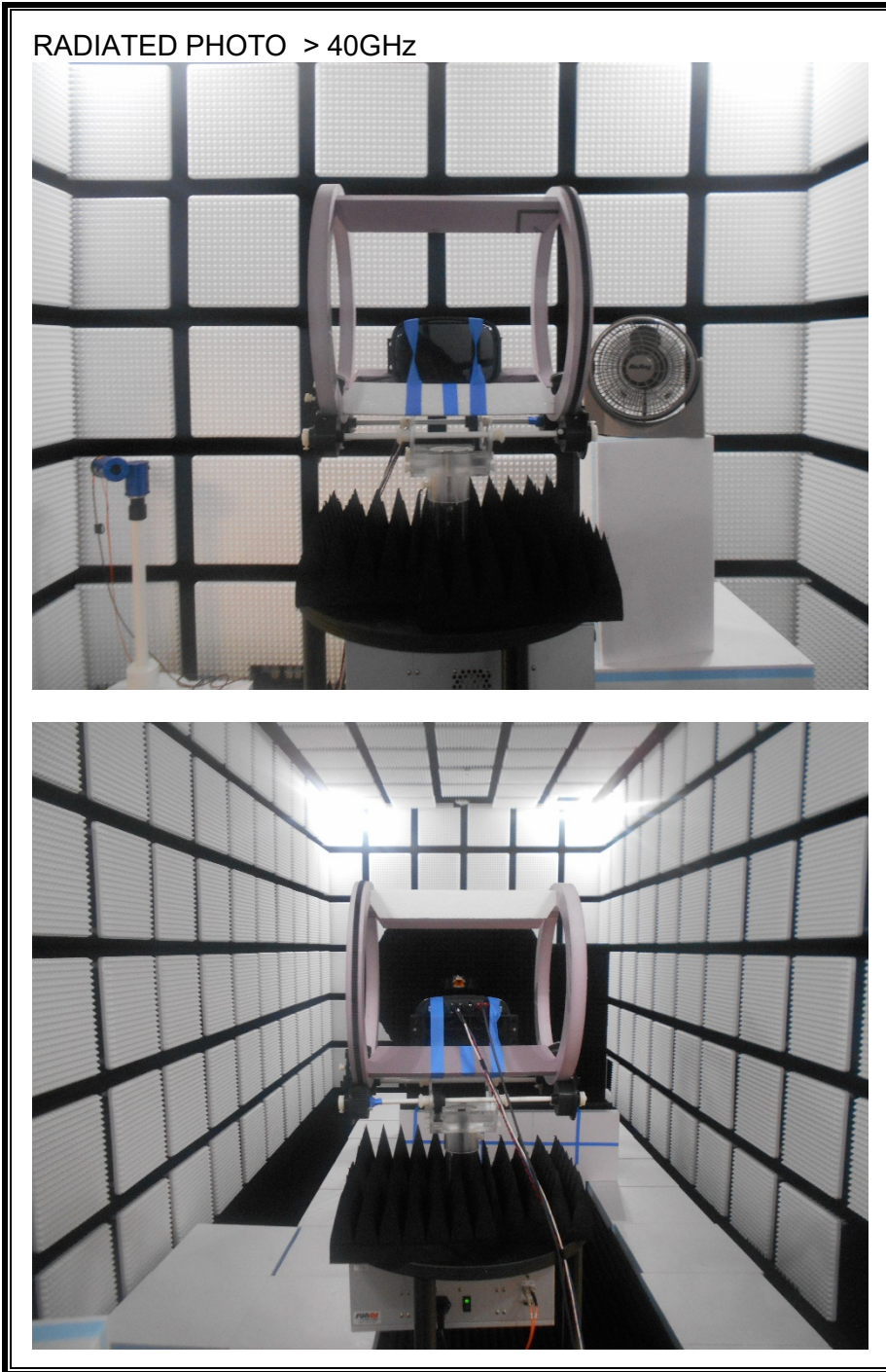












## END OF TEST REPORT