



www.egloo.co.kr



Easy and Smart Security **EGLOO** Camera

Quick guide for Registration



What's in the box

- Egloo Camera
- Power Cable
- Mount Bracket
- Screws & Anchors
- Quick Guide



Before getting started

- You can download the EGLOO App for free from the Apple App Store or Google Play Store.

1 Sign up & Log in

- If you don't have an account, please tap **"sign up"** to create the account using your email address.
- After signing up, please log in with your account.



2 Registering device

- Please tap the **"Register Device"** + icon to start



1. Quick guide for Registration

3

3 Adding Device



- Please select the device you want to install and before starting camera registration you can proceed after watching the EGLOO Camera Installation video.

※ Installation is not possible when selecting another product.

4 Camera registration



5 Check the status of camera

- When you hear an alarm sound from the camera and the white LED starts to flicker, please tap the "Next" button.
- Please refer to the LED status at the bottom before proceeding.



6 Connect smart phone to Camera

- Please tap the "Wi-Fi Setup" button in the middle of the screen to go to the Wi-Fi setting page on your smartphone. Please select
- "EGLOO_CAM_XXXX" from the list on your smartphone.



1. Quick guide for Registration

4

- ※ "Internet may not be available" message will appear below the "EGLOO_CAM_XXXXXX" Wi-Fi connected to your smartphone as shown in the picture below.
- ※ This means that the connection is done successfully. After this message appears, please ignore it and proceed.



7 Go to the 'Select camera'

- If "EGLOO_CAM_XXXXXX" Wi-Fi connection is complete, use the "Back" button to go back to the 'Select camera' page on no.6.



8 Go to 'Wi-Fi Selection' screen

- Please tap the "Next" button at the bottom.



1. Quick guide for Registration

5

9 Select Wi-Fi

- Please select router's Wi-Fi to connect to the camera.

※ If Wi-Fi isn't detected in use

1. When using a telecommunications company's Wi-Fi router

→ Please request 2.4Ghz activation to the telecommunications company.

2. When using an individual Wi-Fi router

→ Please activate 2.4Ghz in the router's setting.



10 Enter Wi-Fi password

- Please enter a correct password for Wi-Fi.

※ (Please enter capital, small letter and special character correctly.)



11 Connecting to server

- Please wait until the camera gets connected to the server.
- When it's done, it will proceed to the next step automatically.



1. Quick guide for Registration

6

※ Caution

If camera registration fails, you need to go back to the Wi-Fi settings, disconnect the "EGLoo_CAM_XXXX" connection, and restart registration from no.5.



12 Select service and tap "Complete"

- Please enter camera name and select storage method.
: SD card or Cloud Service.



13 Select the camera, and Enjoy!



2. QR Code Registration

7

1 Tap "Register by QR code"

- If registration fails, you can register using a QR code. In the Failed Camera Registration window, please press the "Register with QR Code" button at the bottom.



2 Enter Wi-Fi information

- Please enter a correct name (SSID) and password for Wi-Fi.
※ (Please enter capital, small letter and special character correctly.)



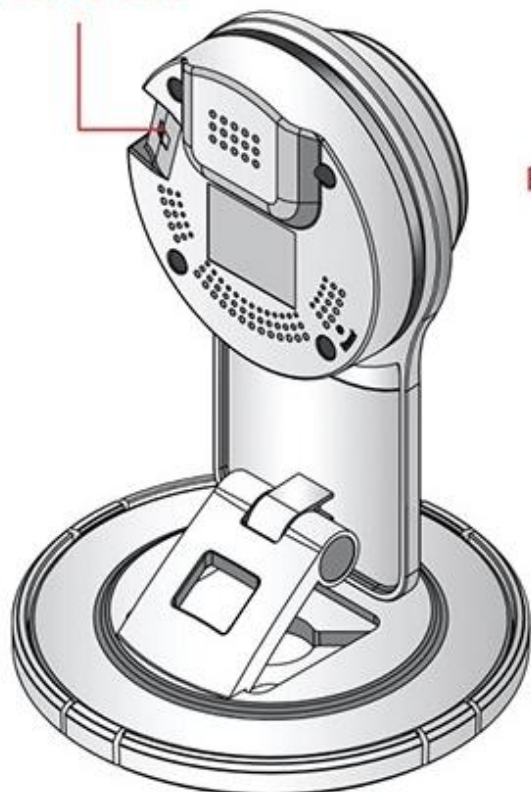
3 Scan QR Code

- Please try scanning the QR code that appears on your smartphone at a distance of 5~10cm from your camera.
- Please continue scanning until you hear the 'harmonic' sound from the camera.

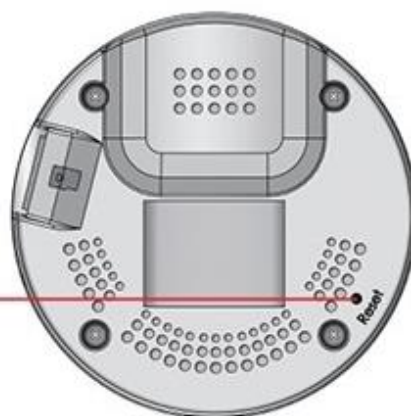


3. How to Reset

Micro SD Card



Reset Bottom



Red LED



※ With the camera powered on, please press the reset button for about 10 seconds.

※ When the LED light turns red, camera has been reset successfully.



FCC Statement

CAUTION: Changes or modifications not expressly approved by the party responsible for compliance could void the user's authority to operate the equipment.

NOTE: This equipment has been tested and found to comply with the limits for a Class B digital device, pursuant to Part 15 of the FCC Rules. These limits are designed to installation. This equipment generates uses and can radiate radio frequency energy and, if not installed and used in accordance with the instructions, may cause harmful interference to radio communications. However, there is no guarantee that interference will not occur in a particular installation. If this equipment does cause harmful interference to radio television reception, which can be determined by turning the equipment off and on, the user is encouraged to try to correct the interference by one or more of the following measures.

- Reorient or relocate the receiving antenna.
- Increase the separation between the equipment and receiver.
- This equipment complies with fcc radiation exposure limits set forth for an uncontrolled environment. This equipment should be installed and operated with minimum distance 20cm between the radiator&your body. This transmitter must not be co-located or operating in conjunction with any other antenna or transmitter.