

SPECIFICATION

Shenzhen Guandetong Electronic Limited



深圳市冠得通电子有限公司

Shenzhen Guandetong Electronic Co., Ltd.

2.4G (3dBi) white blade antenna output 350MM

Product Specification

custom	深圳市中科讯驰	Frequency band	2400MHz——2500MHz
Wire Name		edition	A1
Customer part number	1.01.10.00042	Customer part number	
Guandetong No			
R F design	肖彬	RF Manager	刘亮
Structure Design	王栋	Institutional Manager	王华
Technical Director	ANDY	date	2022-06-28

Customer confirmation:

装配是否符合贵司要求: OK NG

保 密 要 求

本公司已拥有专有技术所提供的资料，这些专有资料应严加保密，在未经深圳冠得通电子有限公司事先书面同意的时不允许透露给任何人或公司。

Catalogue

Cover	1
Catalogue	2
一、Product image	3
二、Product parameters	3
三、SII data	4
四、Product structure diagram	5
五、Environmental reliability experiment report	6

保密要求

本公司已拥有专有技术所提供的资料，这些专有资料应严加保密，在未经深圳冠得通电子有限公司事先书面同意的时不允许透露给任何人或公司。

一、Product image**二、Product parameters**

Product testing parameters			
产品名称(Name)	2.4G 刀锋胶棒天线	产品型号(Model Type)	GDT-2.4G-SM-350
电性能指标 (Electrical Specifications)			
频率范围 (Frequency Range)	2400MHz-2500MHz	极化方式 (Polarization)	垂直
输入阻抗(Impedance)	50 Ω	辐射方向	全向
驻波比 (VSWR)	≤3.0	功率容量(Power)	50W
增益(Gain)	3dBi	带宽 (Bandwidth)	100MHz
机械指标 (Mechanical Specifications)			
尺寸 (Dimensions)	151±1	外壳颜色(Radome Color)	白色
连接器型号 (Connector)	IPEX 1代	引线长度(Cable Length)	350±2mm
外壳材料 Radome Material	ABS		
工作温度 (Working Temperature)	-40℃-+85℃	存放温度 (Limit Temperature)	-40℃-+85℃

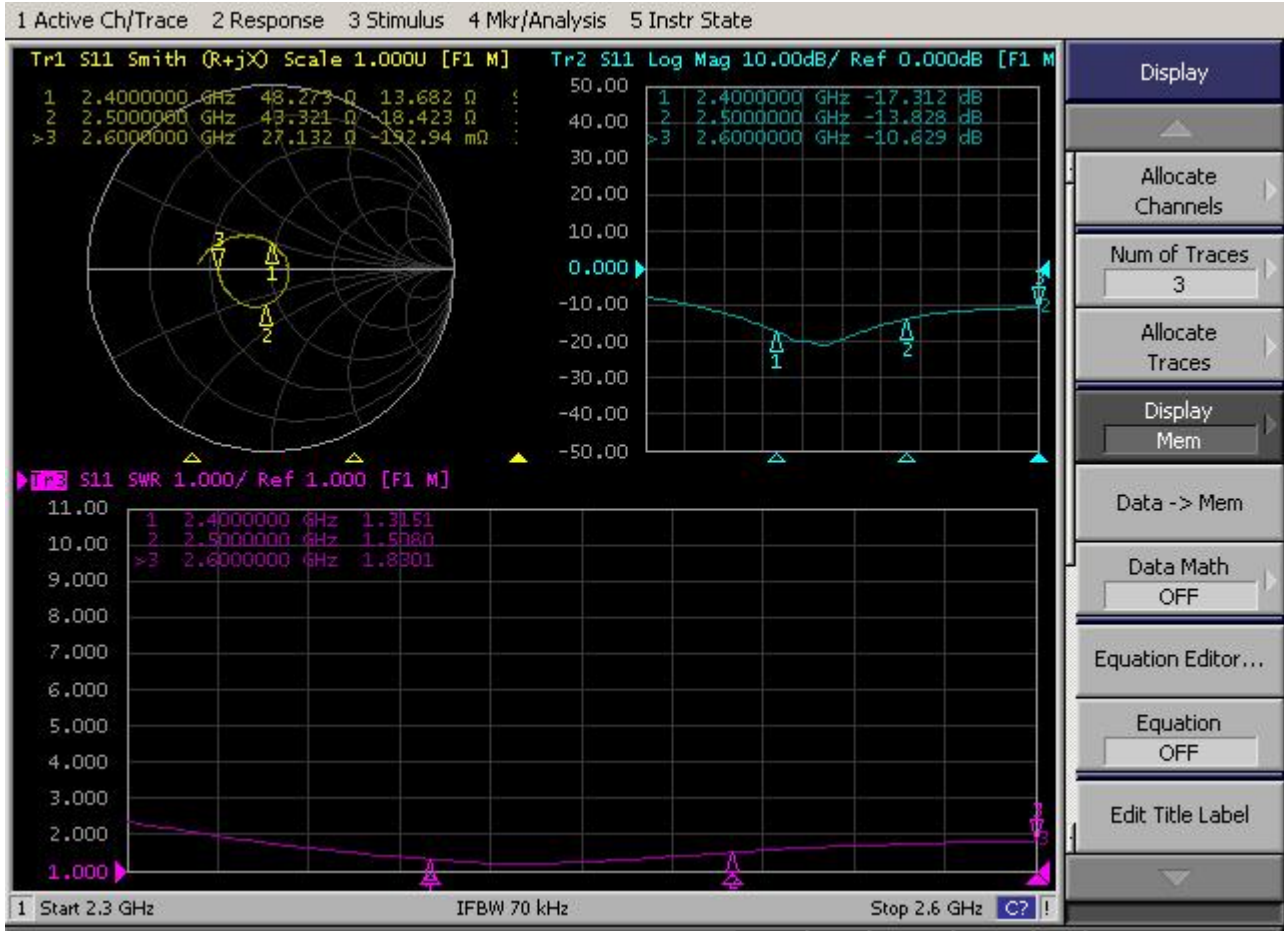
公司地址：深圳市龙华区观湖街道环观南茂源工业园 D 栋 3 楼 电话：0755-88298396 传真：0755-89733896

<http://www.szgdtrf.com>

保密要求

本公司已拥有专有技术所提供的资料，这些专有资料应严加保密，在未经深圳冠得通电子有限公司事先书面同意的时不允许透露给任何人或公司。

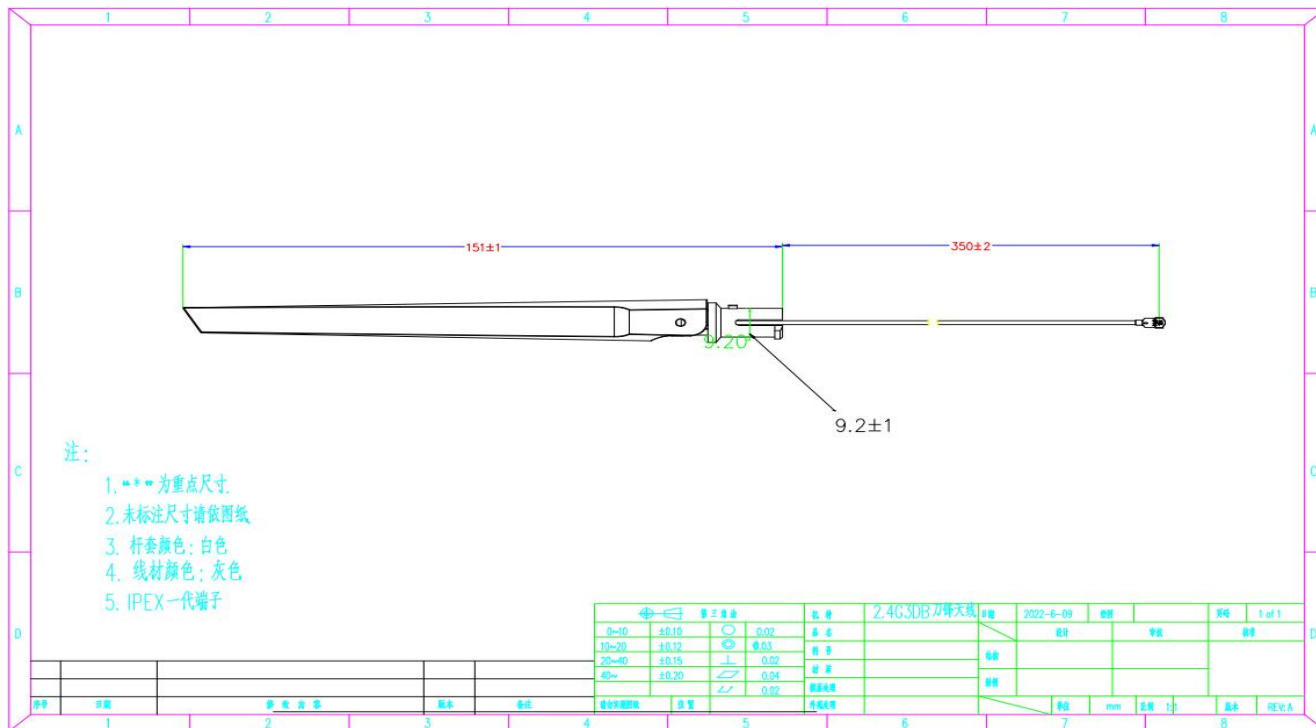
三、VSWR 、 Return loss 、 Smith 数据



保密要求

本公司已拥有专有技术所提供的资料，这些专有资料应严加保密，在未经深圳冠得通电子有限公司事先书面同意的时不允许透露给任何人或公司。

四、Product structure diagram



五、Environmental performance testing:

Project	Test conditions	Specifications
Storage environment	Test the temperature, humidity, and air pressure without specifying them as follows: 1. The temperature is -30 °C to+80 °C 2. The relative humidity is 45% -85% 3. The air pressure is 86kpa-106kpa	Normal electrical and mechanical performance
High and low temperature test	in70°C与40°C Perform 5 cycles between them, and then check the appearance quality under normal conditions for 1-2 hours.	The size should meet the regulations and meet the requirements Mechanical and electrical performance
Constant damp heat resistance test	Relative humidity of 95 ± 3%, test temperature: 40 °C. After continuous action for 2 hours, the electrical performance of the test sample is measured within 5 minutes after removal. The test sample is under normal conditions for 1-2 hours, and the appearance quality is checked	The size should meet the regulations and meet the mechanical and electrical performance requirements
vibration test	Vibration frequency range 10-55HZ, displacement amplitude: 0.35MM, acceleration amplitude: 50.0M/s, frequency sweep cycles: 30 times	Normal electrical and mechanical performance
Drop test	Free fall 3 times from a height of 1M in the direction of mutually perpendicular axes	Normal electrical and mechanical performance