

To bring you a better experience, please read these Instructions carefully.

A. Bind Your Device

a. Download and Install the App

Download the InxFIT App by scanning the QR code or searching in the App Store.

Note: the operating system of your mobile phone needs to meet the following requirements:



iOS 10.0

or



Android 6.0



Bluetooth 4.2

1. Scan the QR code below to download the InxFIT App.



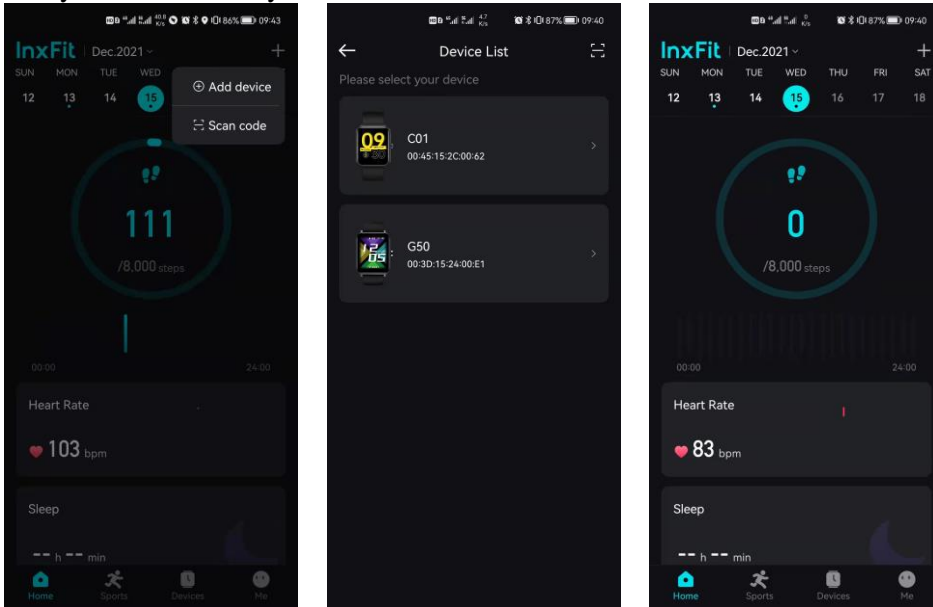
(The QR code may be updated.)

2. Open the App Store on your mobile phone, search for “InxFIT”, and then download the InxFIT App.

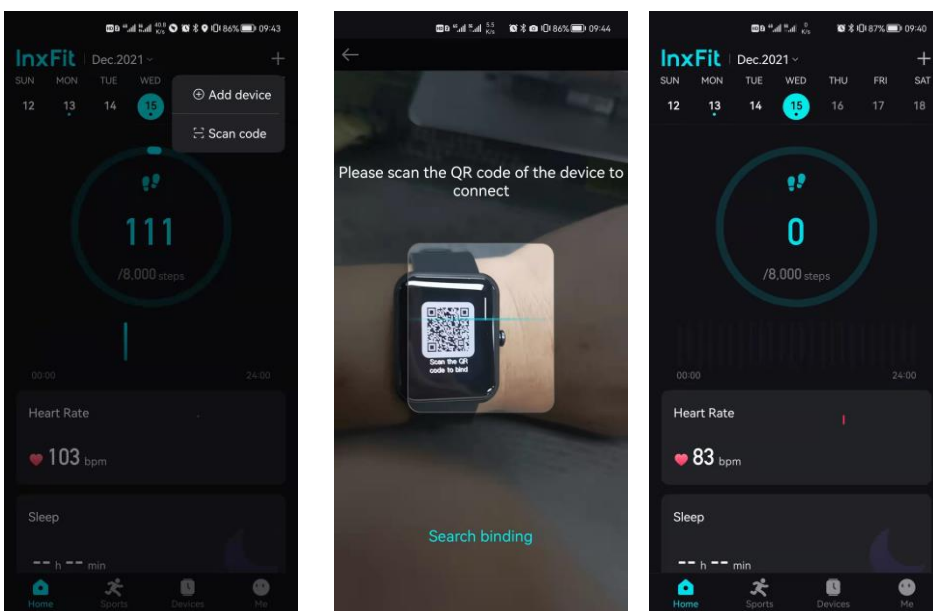
b. Binding Steps

(Note: during the binding process, InxFIT will ask you to turn on the Bluetooth of your mobile phone and authorize InxFIT to access the GPS of your mobile phone. For IOS user, when a binding error occurs, please ignore this device in the Bluetooth list of your mobile phone first.)

1. On the Home page of the App, click “+” at the upper right corner and select [Add Device] to search for your watch. Find your watch in the Device List and click it to bind it.



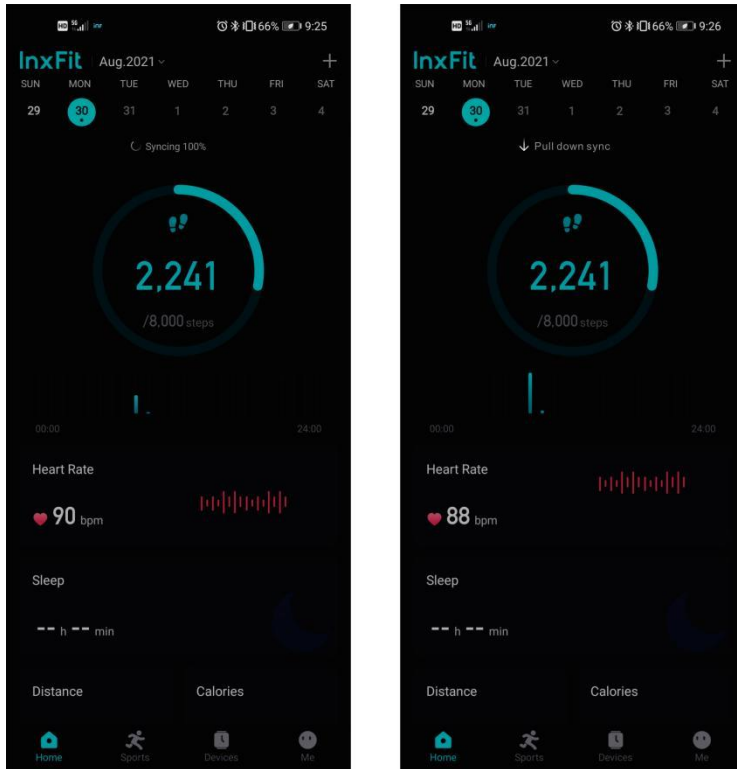
2. On the Home page of the App, click “+” at the upper right corner and select [Scan]. Then scan the QR code that is displayed on your watch when it is turned on for the first time. If you accidentally exit the QR code page, select [Device]→[Setup]→[QR code] to find the QR code.



B. Data Synchronization

The watch records various data on your activities when it is worn on your wrist.

You can synchronize data with the App as follows: start the InxFIT App, and pull down the page to start a data synchronization. The synchronization progress is displayed on the page.

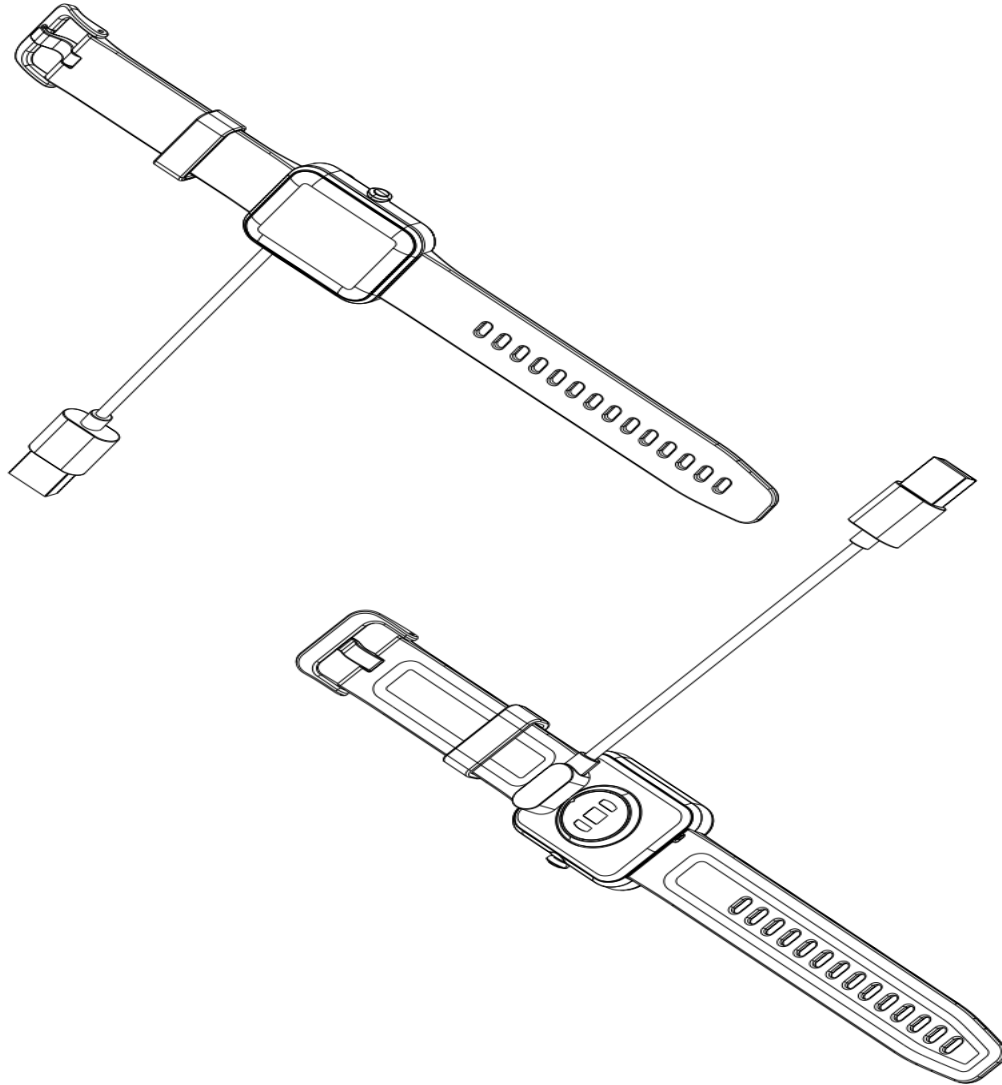


Note: please perform a data synchronization at least every 7 days, or the data will be overwritten when the memory is full.

C. Instructions for Use

a. Charging Diagram

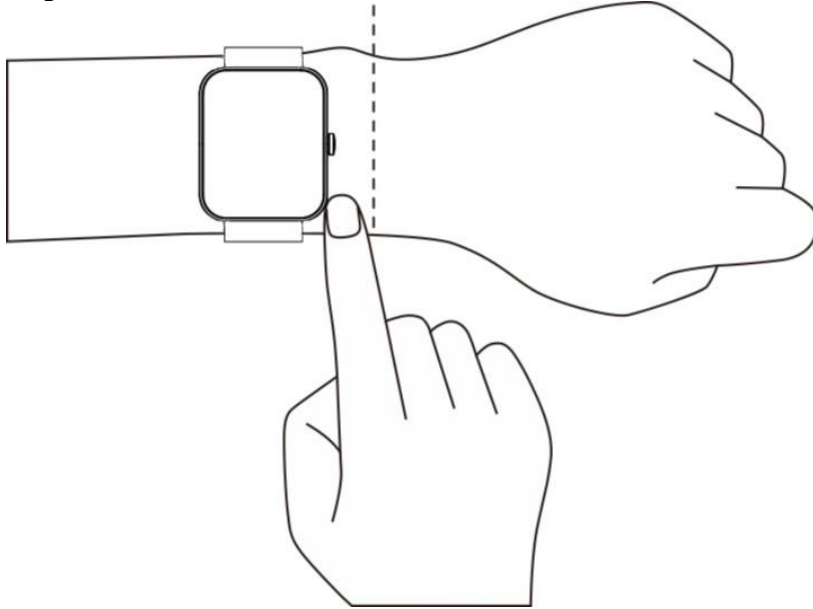
Follow the diagram below to connect and charge your watch. We recommend that you charge your watch before turning it on for the first time.



b. Wearing and Adjustment

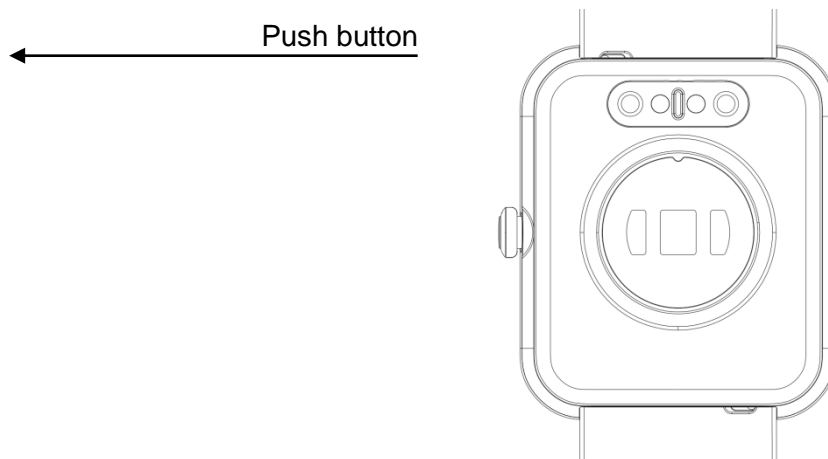
1. Wear Your Watch

Leave one-finger gap between the watch and your wrist bone, and adjust the strap to a comfortable length.



2. Replace the Strap

Push the push button horizontally to loosen the strap, and then remove the strap.



Note: too loose or too tight wearing may affect the accuracy of HR or SpO2 measurement.

D. Operating Instructions

a. Button Operations

Press the button: return to the dial, or switch between the dial and function list.
Press and hold the button: turn on/off the device.



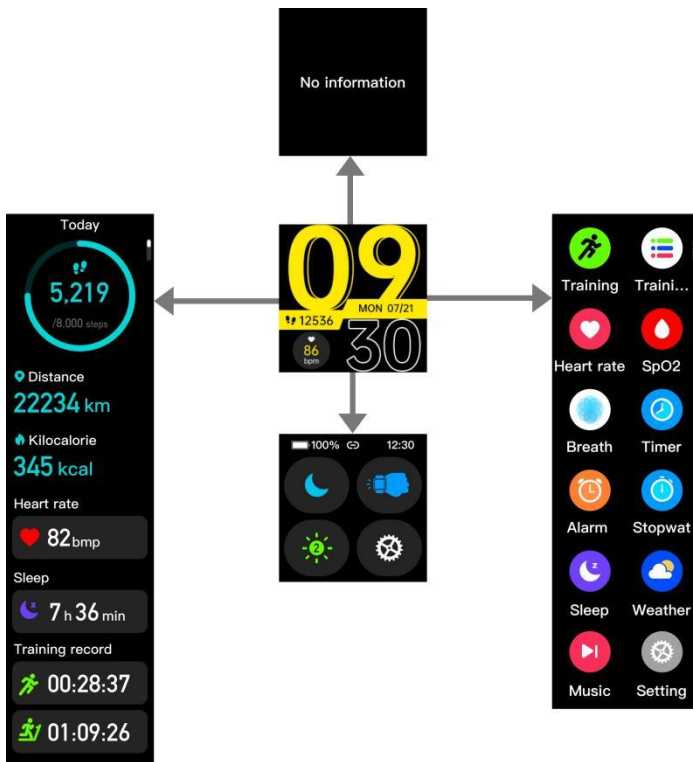
b. Change the Dial

Press and hold the dial screen to display the dial selection list after vibration. Swipe horizontally to select the desired dial, and then click it to apply it.



c. Screen Operations

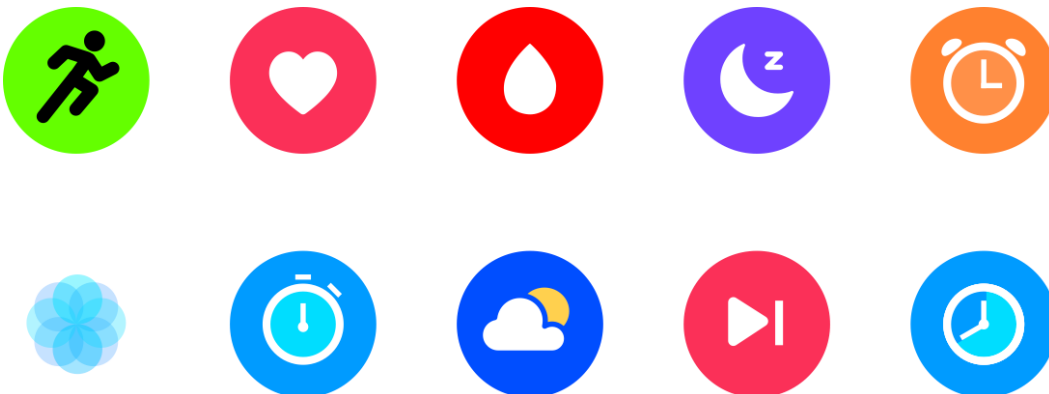
Swipe the screen to enter different interfaces as shown below.



E. Function Overview

1. Functions

Sports / HR / SpO2 / Sleep / Alarm Clock /
Breathing Exercise / Timer / Weather / Music Control / Stopwatch



Note: the Weather function needs to be enabled on the App. More details on the functions can be found on the App.

2. Initiate an Exercise

- a. To start an exercise: click the “Sports” icon → select a sport → the exercise data recording will start at the end of the countdown.
- b. Control the exercise: press the side button to pause the exercise recording; press the side button again **or** click [Resume] on the screen to resume the exercise recording.
- c. Stop the exercise: press and hold the side button to stop the exercise, or click [Stop] on the screen to stop the paused exercise.

F. Specifications

Model	C01	Screen type	1.4 inch
Battery capacity	250mAh	Charging voltage	5V
Charging time	About 2 hours	Bluetooth Version	4.2
Waterproof level	IP68	Charging mode	Magnetic charge
Operating temperature	-20°C - 45°C	Watch size	H: 242 W: 35.5 D: 12.1
iOS	IOS 10.0+		
Andriod	Android 6.0+		

G. Note: do not wear the device to take a bath, because high temperature or steam may damage the device.

H. Cleaning and Maintenance



It is recommended to wear and clean the product as follows:

1. Keep the product clean.
2. Keep the product dry.
3. Don't wear the product too tightly.

Do not use detergents to clean the device. You can use soap-free detergents.
For stains that are not easy to remove, it is recommended to clean with alcohol.

I. Safety and Certification (see the certificates)



The device meets the EU ROHS criterion.
Please refer to IEC 62321, EU ROHS
Directive 2011/65/EU and revised directive.

This device complies with Part 15 of the FCC Rules. Operation subject to the following two conditions:

- (1) this device may not cause harmful interference, and
- (2) this device must accept any interference received, that may cause undesired operation.

Changes or modifications not expressly approved by the party responsible for compliance could avoid the user's authority to operate the equipment. This equipment has been tested and found to comply with the limits for a Class B digital device, pursuant to Part 15 of the FCC Rules. These limits are designed to provide reasonable protection against harmful interference in a residential installation.

This equipment generates, uses and can radiate radio frequency energy and, if not installed and used in accordance with the instructions, may cause harmful interference to radio communications. However, there is no guarantee that interference will not occur in a particular installation.

If this equipment does cause harmful interference to radio or television reception, which can be determined by turning the equipment off and on, the user is encouraged to try to correct the interference by one or more of the following measures:

- Reorient or relocate the receiving antenna.
- Increase the separation between the equipment and receiver.
- Connect the equipment into an outlet on a circuit different from that to which the receiver is connected.
- Consult the dealer or an experienced radio/TV technician for help.

CAUTION
RISK OF EXPLOSION IF BATTERY IS REPLACED
BY AN INCORRECT TYPE
DISPOSE OF USED BATTERIES ACCORDING
TO THE INSTRUCTIONS



Old electrical appliances must not be disposed of together with the residual waste, but have to be disposed of separately. The disposal at the communal collecting point via private persons is for free. The owner of old appliances is responsible to bring the appliances to these collecting points or to similar collection points. With this little personal effort, you contribute to recycle valuable raw materials and the treatment of toxic substances.

FCC Warning

This device complies with part 15 of the FCC Rules. Operation is subject to the following two conditions:(1) This device may not cause harmful interference, and (2) this device must accept any interference received, including interference that may cause undesired operation.

Any Changes or modifications not expressly approved by the party responsible for compliance could void the user's authority to operate the equipment.

This equipment has been tested and found to comply with the limits for a Class B digital device, pursuant to part 15 of the FCC Rules. These limits are designed to provide reasonable protection against harmful interference in a residential installation. This equipment generates uses and can radiate radio frequency energy and, if not installed and used in accordance with the instructions, may cause harmful interference to radio communications. However, there is no guarantee that interference will not occur in a particular installation. If this equipment does cause harmful interference to radio or television reception, which can be determined by turning the equipment off and on, the user is encouraged to try to correct the interference by one or more of the following measures:

- Reorient or relocate the receiving antenna.
- Increase the separation between the equipment and receiver.
- Connect the equipment into an outlet on a circuit different from that to which the receiver is connected.
- Consult the dealer or an experienced radio/TV technician for help.

FCC RF exposure statement:

The device has been evaluated to meet general RF exposure requirement. The device can be used in portable exposure condition without restriction.

FCC ID : 2AZHM-C01

Manufacturer's Name: Shenzhen XiaoJu Intelligent Technology Co., Ltd.
Address: 708, Block E, E-commerce Incubation Base, Taojindi, Longhua District, Shenzhen, China.

C01 Smart Watch

Model number: C01

Operating Temperature: -20° C to 45° C

This device was tested for typical body-worn operations. To comply with RF exposure requirements, a minimum separation distance of 0mm must be maintained between the user's body and the watch, including the antenna. Third-party belt-clips, holsters, and similar accessories used by this device should not contain any metallic components. Body-worn accessories that do not meet these requirements may not comply with RF exposure requirements and should be avoided. Use only the supplied or an approved antenna.

This device in compliance with the essential requirements and other relevant provisions of S.I. 2017 No. 1206. All essential radio test suites have been carried out. The device complies with RF specifications when the device used at 0mm from your body.

This device in compliance with the essential requirements and other relevant provisions of UK Radio Equipment Regulations (SI 2017/1206); UK Electrical Equipment (Safety) Regulations (SI 2016/1101); and UK Electromagnetic Compatibility Regulations (SI 2016/1091). All essential radio test suites have been carried out.



Function	Operation Frequency	Max RF output power:	Limit
BT	2402~2480MHz	<u>1.50</u> dBm	20dBm.

DECLARATION OF CONFORMITY

I hereby declare that the product

Product name: **C01 Smart Watch**

Model name: **C01**

Series model : **N/A**

Trademark: **N/A**

HW: **C01_MB_V11_20211008**

SW: **V1.08**

(Name of product, type or model, batch or serial number)

satisfies all the technical regulations applicable to the product within the scope of UK Radio Equipment Regulations (SI 2017/1206); UK Electrical Equipment (Safety) Regulations (SI 2016/1101); and UK Electromagnetic Compatibility Regulations (SI 2016/1091) and declare that the same application has not been lodged with any other UK Approved Body.

EN 55032:2015+A1:2020
EN 55035:2017+A11:2020
EN IEC 61000-3-2:2019+A1:2021
EN 61000-3-3:2013+A1:2019
EN 301 489-1 V2.2.3 (2019-11)
EN 301 489-17 V3.2.4 (2020-09)

EN 62479:2010
EN 50663:2017
EN 62368-1:2014+A11:2017

EN 300 328 V2.2.2 (2019-07)

(Title(s) of regulations, standards, etc.)

All essential radio test suites have been carried out.

USB Cable

No shield

0.65m

NOTIFIED BODY: MiCOM Labs Inc

– **Address:**

575 Boulder Court,
Pleasanton, California 94566
USA
Identification Number: AB 2280

MANUFACTURER or AUTHORISED REPRESENTATIVE:

– **Address:**

Shenzhen XiaoJu Intelligent Technology Co.,
Ltd.
708, Block E, E-commerce Incubation Base,
Taojindi, Longhua District, Shenzhen, China.

This declaration is issued under the sole responsibility of the manufacturer and, if applicable, his authorised representative.

Point of contact:

Name:Shan Jiang TEL.:18507551729 fax:
(Name, telephone and fax number)

2022-01-17
(Place, date of issue)

Shan Jiang
(Signature)

Hardware Engineer
(Name and title in block letters)