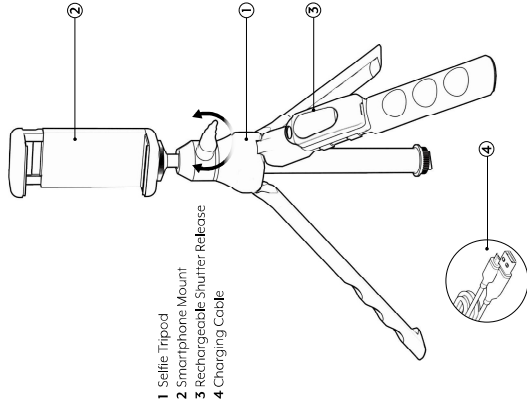


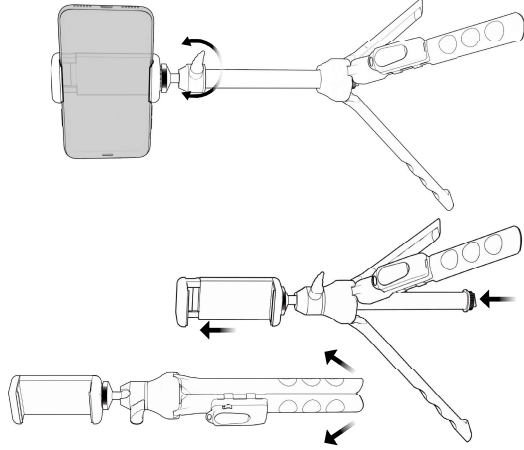


PRODUCT INTRODUCTION PARTS

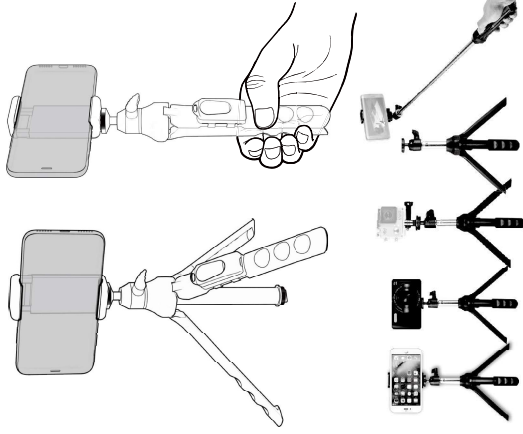


- 1 Selfie Tripod
- 2 Smartphone Mount
- 3 Rechargeable Shutter Release
- 4 Charging Cable

INSTALLATION



INSTALLATION



USING YOUR MULTIPOD WITH A SMARTPHONE

1. Attached the Smart Phone holder to the tripod mount turning it clockwise.
2. Tighten the holder until secure. Do not force or over tighten mount
3. Put smart phone into holder. Smart Phone should fit securely.

USING YOUR MULTIPOD WITH AN ACTION CAMERA

1. Attach the action camera mount to the 360° ball head by turning it clockwise to tighten.
2. Attach your action camera to the action camera mount, tightening the screw until secure.
3. Do not force or over tighten mount.

USING YOUR MULTIPOD WITH A DIGITAL CAMERA

1. Attach your digital camera to the 360° ball head, and tighten by turning clockwise.
2. Do not force or over tighten digital camera to mount.
3. Do not use cameras over 1lb of weight.

USING YOUR MULTIPOD

1. Lift the top of the smartphone mount and insert your smartphone.
2. The included wireless shutter release is compatible with iOS and Android devices. Make sure the wireless shutter remote is charged. To charge it, insert the included micro USB cable and connect it to a wall outlet or USB port on a computer.

CONNECTING SHUTTER REMOTE TO SMARTPHONE

1. Make sure remote is charged, slide the side switch/button downward to turn on remote
2. Blue light will turn on & stay solid for 2.5 second, then will blink (this is discover mode)
3. Go to Bluetooth menu on mobile device, make sure your device is discoverable
4. Bluetooth shutter remote is labeled MO-09 Bluetooth
5. Press the option to start pairing (you may need to turn your device's discovery mode on & on to pair)
6. Once remote pairs with device, blue light will no longer be visible

USING YOUR MULTIPOD AS A TRIPOD

1. Connect your action camera, digital camera, or smartphone to the multipod, following the directions described above.
2. Extend the three (3) legs of the tripod fully and place it on a flat level surface.
3. By loosening the locking collar, you can adjust the height of the tripod.
4. Loosen the screw and slide the tripod head up to your desired height, then re-tighten the screw.
5. To have the multipod in a standing state, push the center metal post upwards for the tripod to become balanced on all three (3) of the supporting legs.

FEATURES

This device can be used to take "selfie" style pictures with any smartphone or digital camera. In order to get the best results, please read this manual before using your device.

SPECIFICATION

- Height adjustable from 7" to 36"
- Range: 10 meters
- Frequency : 2.4 Ghz

SPECIFICATION (Wireless shutter release)

This device complies with part 15 of the FCC Rules. Operation is subject to the following two conditions: (1) This device may not cause harmful interference, and (2) This device must accept any interference that may cause undesired operation.

This device complies with part 15 of the FCC Rules. Operation is subject to the following two conditions: (1) This device may not cause harmful interference, and (2) this device must accept any interference received, including interference that may cause undesired operation.

Any changes or modifications not expressly approved by the party responsible for compliance could void the user's authority to operate the equipment.

NOTE: This equipment has been tested and found to comply with the limits for a Class B digital device, pursuant to Part 15 of the FCC Rules. These limits are designed to provide reasonable protection against harmful interference in a residential installation. This equipment generates, uses and can radiate radio frequency energy and, if not installed and used in accordance with the instructions, may cause harmful interference to radio communications. However, there is no guarantee that interference will not occur in a particular installation. If this equipment does cause harmful interference to radio or television reception, which can be determined by turning the equipment off and on, the user is encouraged to try to correct the interference by one or more of the following measures:

- Reorient or relocate the receiving antenna.
 - Increase the separation between the equipment and receiver.
 - Connect the equipment into an outlet on a circuit different from that to which the receiver is connected.
 - Consult the dealer or an experienced radio/TV technician for help.
- The device has been evaluated to meet general RF exposure requirement. This device can be used in portable exposure condition without restriction.

FCC ID: 2A2H-WA-WPDD36