



TEST DATA

Applicant Hannto Technology Co., Ltd.
Product Photo Printer
Model DHP512, DHP513
HW Version FW0016
SW Version FN002_80601_REVA
Report No. Y2203A0218-T1
Issue Date March 4, 2022

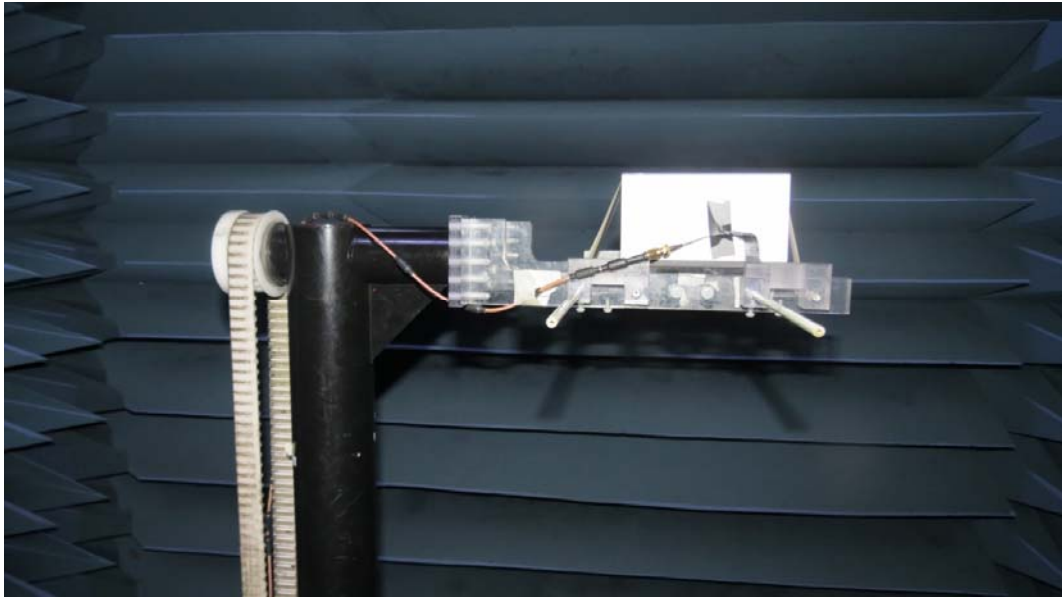
TA Technology (Shanghai) Co., Ltd.

No.145, Jintang Rd, Tangzhen Industry Park, Pudong Shanghai, China

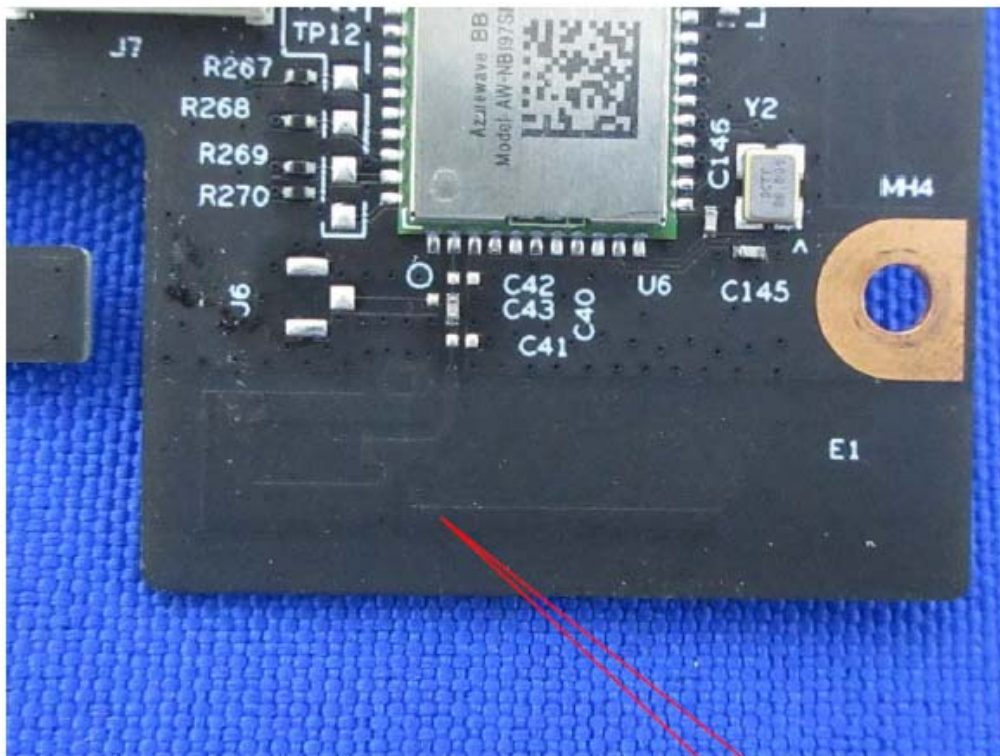
TEL: +86-021-50791141/2/3

FAX: +86-021-50791141/2/3-8000

1. Test Setup



2. Antenna Sample

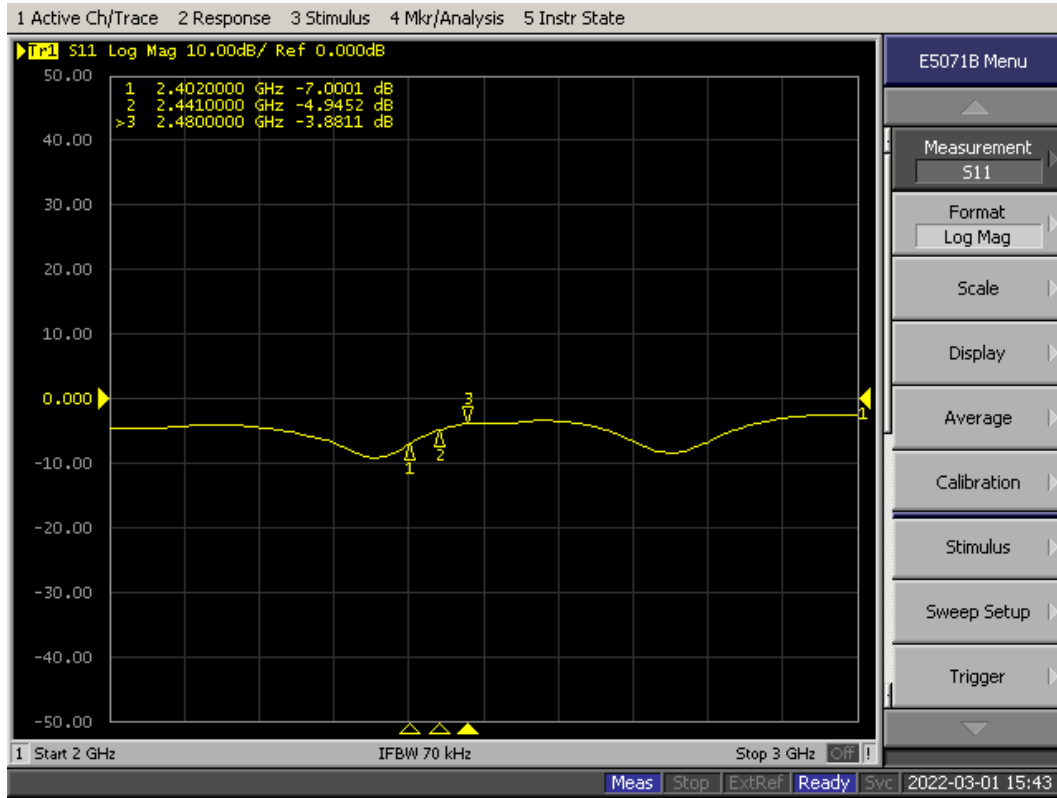


2.4G Ant.
22.85 x 7.05mm

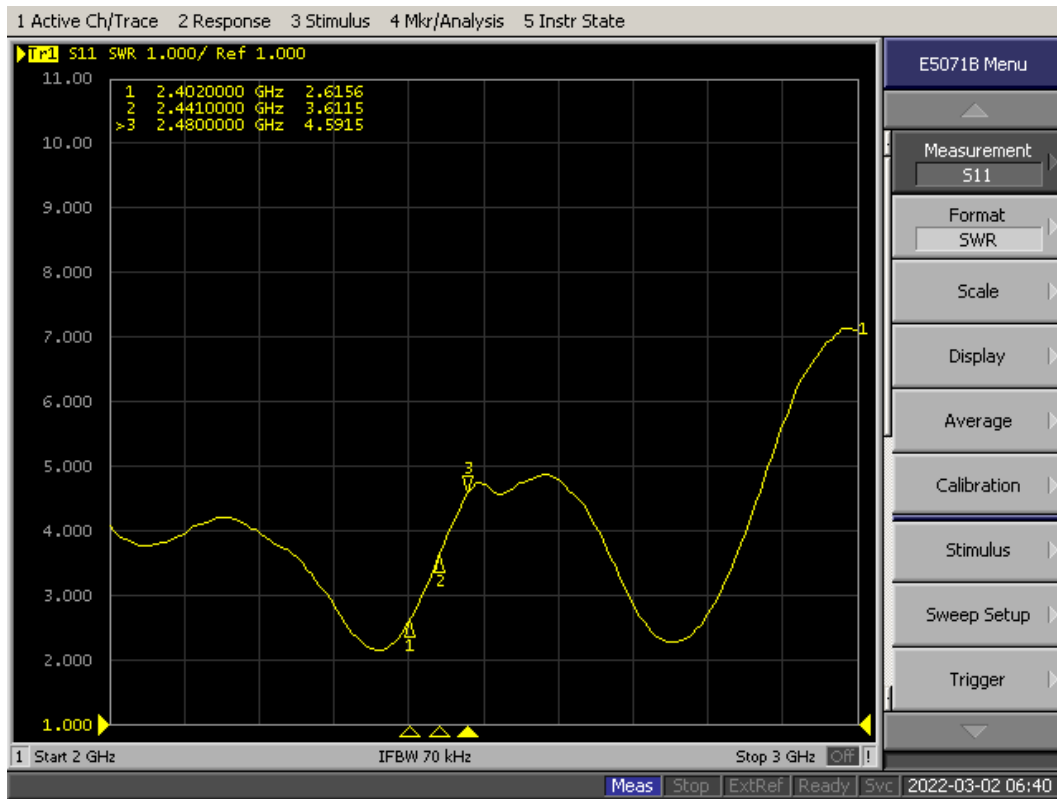
peak Gain=1.8dBi



3. Return Loss



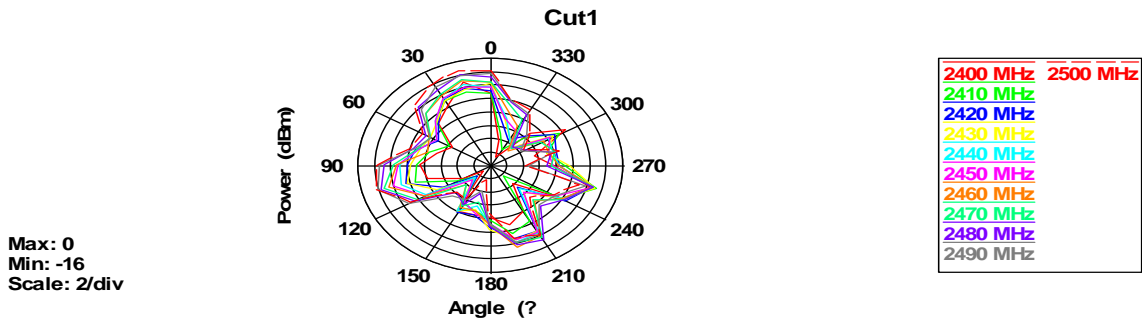
4. VSWR



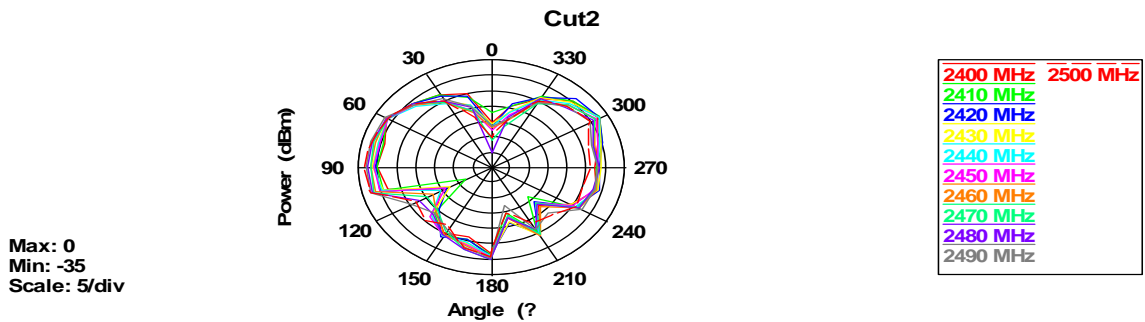


5. Efficiency and Gain

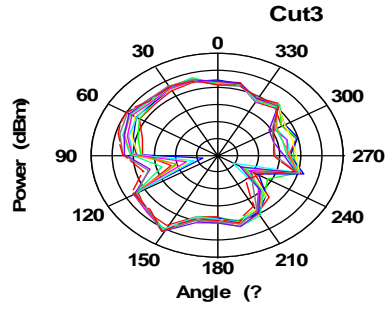
| Test Item | Test State | Frequency (MHz) | Efficiency (%) | Gain(dBi) | Note |
|-----------|------------|-----------------|----------------|-----------|------|
| GAIN | FS | 2400 | 43.80 | 0.61 | 15° |
| | | 2410 | 46.27 | 1.04 | |
| | | 2420 | 49.04 | 1.19 | |
| | | 2430 | 45.72 | 1.23 | |
| | | 2440 | 41.92 | 1.19 | |
| | | 2450 | 41.68 | 1.12 | |
| | | 2460 | 45.13 | 1.41 | |
| | | 2470 | 46.19 | 1.80 | |
| | | 2480 | 46.75 | 1.76 | |
| | | 2490 | 47.09 | 1.79 | |
| | | 2500 | 46.52 | 1.59 | |



Horizontally Polarized XY plane



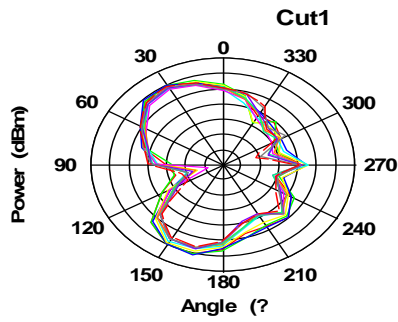
Horizontally Polarized XZ plane



Max: 5
 Min: -25
 Scale: 5/div

| | |
|----------|----------|
| 2400 MHz | 2500 MHz |
| 2410 MHz | |
| 2420 MHz | |
| 2430 MHz | |
| 2440 MHz | |
| 2450 MHz | |
| 2460 MHz | |
| 2470 MHz | |
| 2480 MHz | |
| 2490 MHz | |

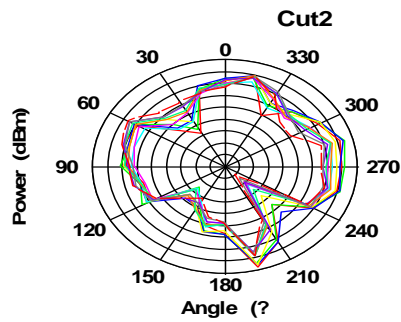
Horizontally Polarized YZ plane



Max: 5
 Min: -30
 Scale: 5/div

| | |
|----------|----------|
| 2400 MHz | 2500 MHz |
| 2410 MHz | |
| 2420 MHz | |
| 2430 MHz | |
| 2440 MHz | |
| 2450 MHz | |
| 2460 MHz | |
| 2470 MHz | |
| 2480 MHz | |
| 2490 MHz | |

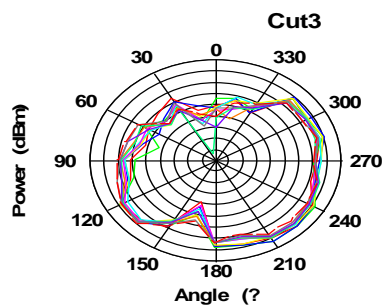
Vertical Polarization XY plane



Max: 0
 Min: -18
 Scale: 2/div

| | |
|----------|----------|
| 2400 MHz | 2500 MHz |
| 2410 MHz | |
| 2420 MHz | |
| 2430 MHz | |
| 2440 MHz | |
| 2450 MHz | |
| 2460 MHz | |
| 2470 MHz | |
| 2480 MHz | |
| 2490 MHz | |

Vertical Polarization XZ plane



Max: 0
 Min: -45
 Scale: 5/div

| | |
|----------|----------|
| 2400 MHz | 2500 MHz |
| 2410 MHz | |
| 2420 MHz | |
| 2430 MHz | |
| 2440 MHz | |
| 2450 MHz | |
| 2460 MHz | |
| 2470 MHz | |
| 2480 MHz | |
| 2490 MHz | |

Vertical Polarization YZ plane