

ZVOX AV52 Noise Cancelling Headphones Instructions Manual



Package List:



X1

ZVOX AV52 Headphone



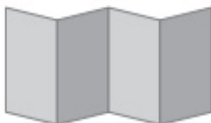
X1

3.5mm Aux Cable



Micro SD Power Cable

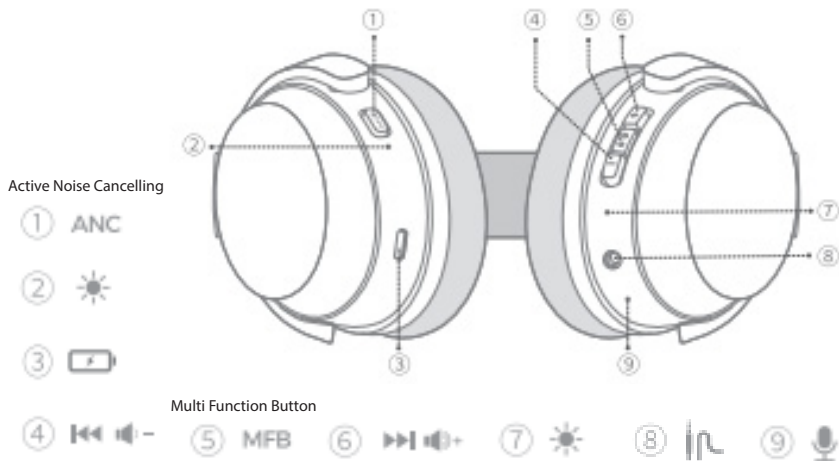
Manual



X1

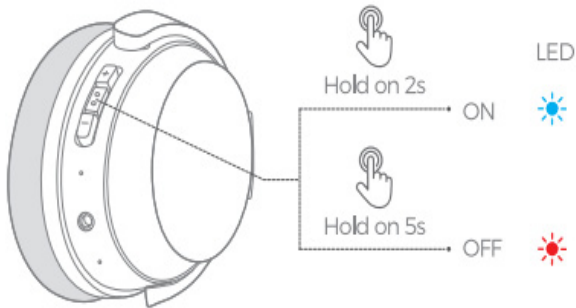
Hard shell case

Diagram:



Power ON/OFF:

1. Power On: Press and hold the MFB (Multi Function Button) for 2 seconds, a blue light will flash and an audible voice command saying "Power on" will be heard through the headphones.
2. Power OFF: Press and hold the same MFB (Multi Function Button) for 5 seconds, a red light will flash and an audible voice command saying "Power on" will be heard through the headphones.

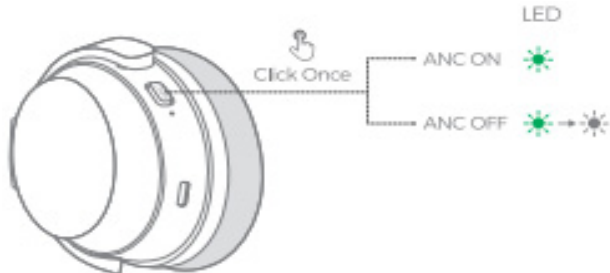


ANC (Active Noise Cancelling) ON/OFF:

To turn ON ANC (Active Noise Cancelling) tap the ANC button, a GREEN indicator light will appear.

To turn OFF ANC (Active Noise Cancelling) tap the same ANC button, the green indicator light will disappear.

Note: For constant ANC ONLY Choose 1 of 3 options: Bluetooth connection must be established, the provided audio cable must be plugged in, or a single audio 3.5mm stereo male connector is needed. Email ZVOX for details.



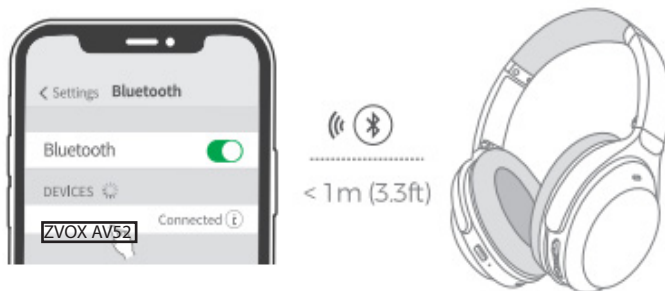
How To Pair to Phone or Tablet:

1. Press and hold the MFB (Multi Function Button) for 5 seconds to enter the pairing mode. Red and blue lights will appear flashing followed by a voice command "pairing".
2. Immediately turn on the Bluetooth function within the phone/tablet, search ZVOX AV52 in the bluetooth list, then click to connect. The voice command "Connected" will be heard after successfully connecting.

Step 1:



Step 2:



How To Pair Wireless To a Television:

To connect the ZVOX AV52 headphones wireless via bluetooth to a TV, the TV must be equipped with bluetooth capabilities (See tv manual), if not equipped you must purchase a Universal Bluetooth Transmitter that you will then connect to an audio output on the TV to stream wireless audio to the ZVOX AV52 headphones. Streaming devices may also have built in Bluetooth transmitters. Call ZVOX or visit support.zvox.com for details.

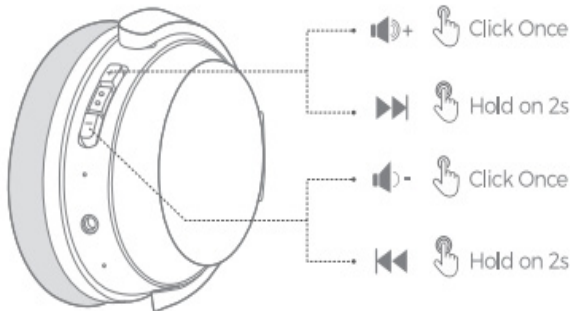
Volume Control/Music Control:

Volume Up - Click + once

Volume Down - Click - once

Skip Track Forward - Hold + for 2 seconds

Skip track Backwards - Hold - for 2 seconds



Play/Pause/Answer a Call/Hang Up a Call/Reject a Call:

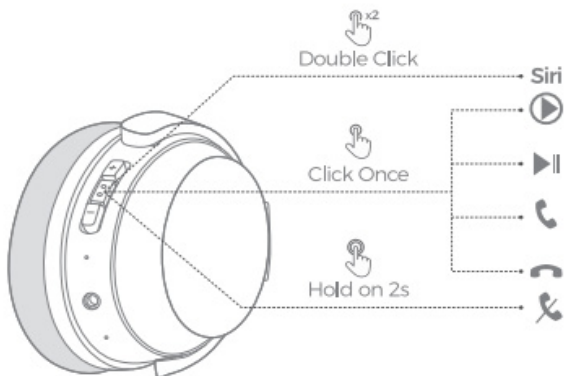
Pick Up Call - Click MFB once during incoming call

Hang Up Call - Click MFB once during phone call

Reject Call - Hold MFB for 2 seconds during incoming call

Play/Pause Track - Click MFB Once while audio is playing

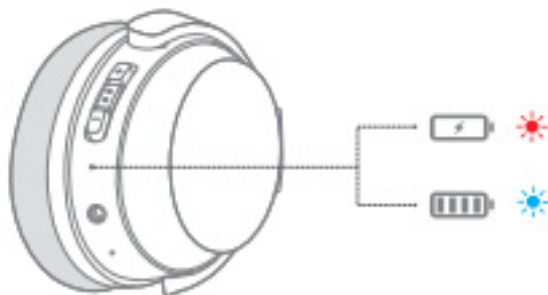
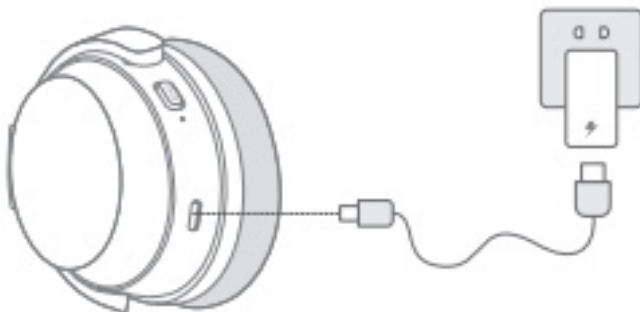
Siri - Double click MFB



How To Charge:

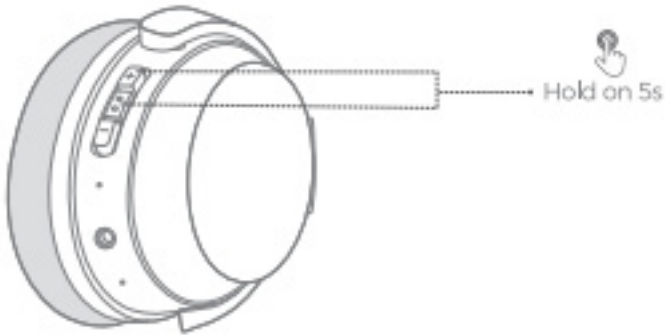
To charge the ZVOX AV52 headphones you will plug into a standard wall outlet with a cell phone charger like universal wall wart or a USB input on a computer, TV, or cablebox.

The micro cable end goes into the left side of the headphones for charging. When the headphones are charging a red indicator light appear. A blue solid light will indicate a full battery charge.



Clearing Bluetooth Pairing Records:

With your ZVOX AV52 headphones powered on, keeping simultaneously hold the MFB (multi function button) & Volume + for 5 seconds, the blue LED light will stay light for 2 seconds followed by red and blue flashing alternately.



FCC Statement:

Changes or modifications not expressly approved by the party responsible for compliance could void the user's authority to operate the equipment. This equipment has been tested and found to comply with the limits for a Class B digital device, pursuant to Part 15 of the FCC Rules. These limits are designed to provide reasonable protection against harmful interference in a residential installation. This equipment generates uses and can radiate radio frequency energy and, if not installed and used in accordance with the instructions, may cause harmful interference to radio communications. However, there is no guarantee that interference will not occur in a particular installation. If this equipment does cause harmful interference to radio or television reception, which can be determined by turning the equipment off and on, the user is encouraged to try to correct the interference by one or more of the following measures:

- Reorient or relocate the receiving antenna.
- Increase the separation between the equipment and receiver.
- Connect the equipment into an outlet on a circuit different from that to which the receiver is connected.
- Consult the dealer or an experienced radio/TV technician for help.

This device complies with part 15 of the FCC rules operation is subject to the follow tow conditions (1) This device may not cause harmful interference and (2) this device must accept any interference received, including interference that may cause undesired operation.

The device has been evaluated to meet general RF exposure requirement.

Any changes or Modifications not expressly approved by the party responsible for compliance could voice the users Authority to operate the equipment

FCC Radiation Exposure Statement:

This equipment complies with FCC radiation exposure limits set forth for an uncontrolled enviroment.

USA Warranty & Registration

For warranty information applicable to an AV52, please visit this webpage:

<https://zvox.com/pages/warranty-returns>

<https://zvox.com/pages/product-registration>

support.zvox.com

DO YOU NEED ASSISTANCE? If your TV is not the same as the descriptions in this guide, don't hesitate to send an inquiry to info@zvoxaudio.com or call ZVOX Audio at (866) 367-9869. Please provide your TV brand and model number. A ZVOX Audio representative should be available (Eastern Time zone) 9:00 AM to 9 PM Monday through Friday and 10:00 AM to 6:00 PM on Saturday. For further information about additional options, please refer to the ZVOX Audio website, www.zvoxaudio.com or support.zvox.com

ZVOX®
Great Sound Made Simple
www.zvox.com