



Features & Applications:

GPS1575.42MHZ and 2400-2500MHZ

ELECTRICAL SPECIFICATIONS @ 25°C

General Specifications

Antenna type	Nominal Impedance	Polarization	Radiation pattern
metal antenna	50Ω	Right-handed polarization	Omni

Frequency (MHz)	1575.42MHz, 2400-2500 MHz
Return Loss	<-5dB
Efficiency (%) (pasted on non-metal)	1575.42MHz band: 10% 2400-2500MHz band: 9%

Brand:	佳禾	Model:	铝合金 6063
Manufacturer:	Pulse (Suzhou) Wireless Products Co., Ltd		
Manufacturer address:	No.99 Huo Ju Road, Suzhou New District Jiangsu Province, China 215009		

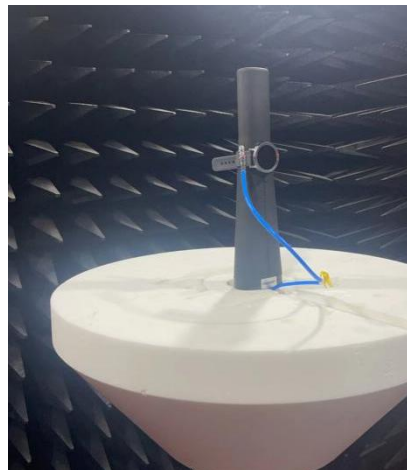
ENVIRONMENTAL SPECIFICATIONS

铝合金 6063

Storage Temperature	Operating Temperature	Ingress Protection	RoHS Compliant
-40/+85° C	-40/+85° C	N/A	Yes

Test setup

佳禾手表



1

2

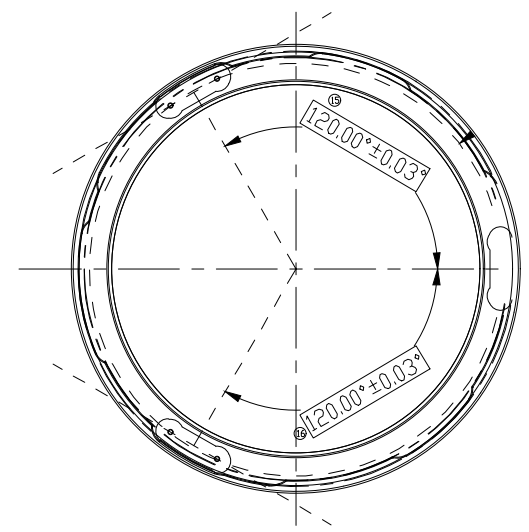
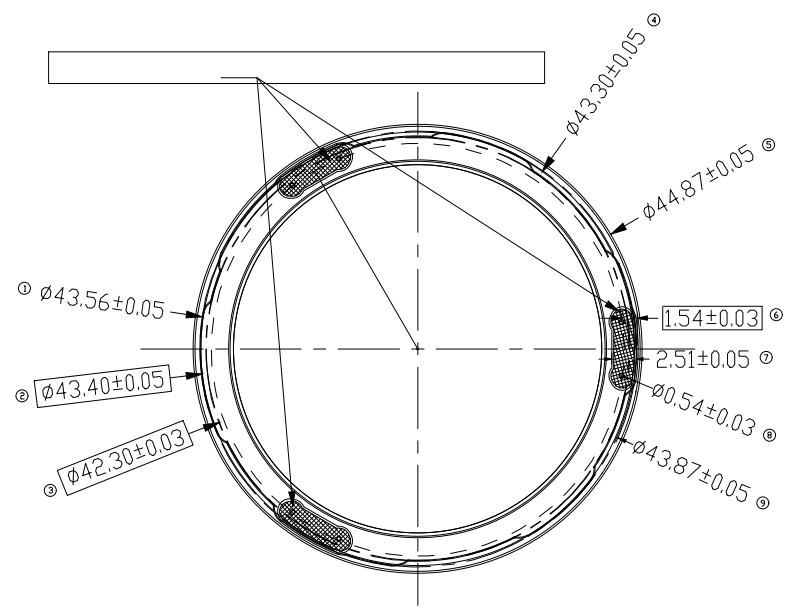
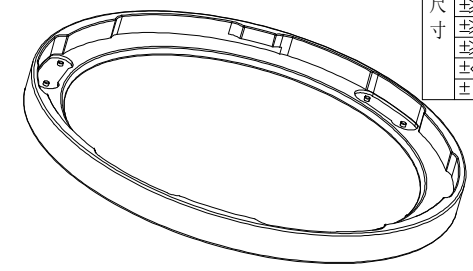
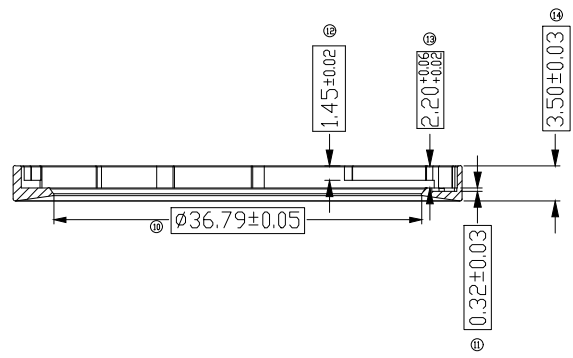
3

5

6

未标注公差以指定公差表计算 单位:mm

檢定公差	◆	◇	◇
公差等级	A级	B级	C级
±0.40	±0.25	±0.40	±0.80
±150<200	±0.20	±0.35	±0.70
±100<150	±0.16	±0.30	±0.60
±60<100	±0.13	±0.25	±0.50
±30<60	±0.10	±0.20	±0.40
±10<30	±0.07	±0.15	±0.30
±1<10	±0.05	±0.10	±0.20
±1	±0.03	±0.05	±0.10
±1°	±0.5°	±1°	±1°



1

2

3

4

5

6

1

2

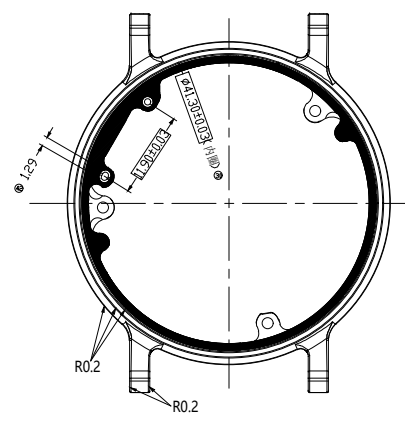
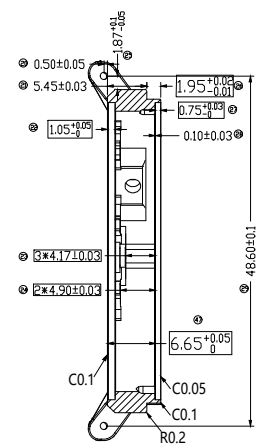
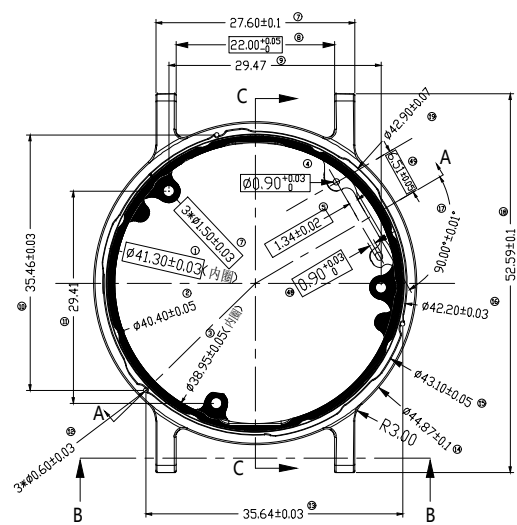
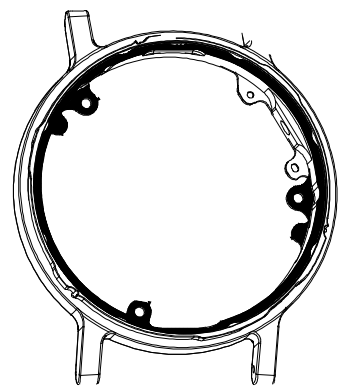
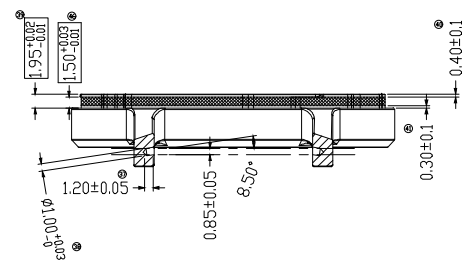
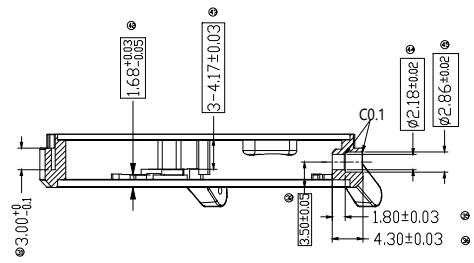
3

5

6

未标注公差以指定公差表计算 单位:mm

檢定公差	◆	◇	◇
公差等级	A级	B级	C级
±0.40	±0.25	±0.40	±0.80
±150<200	±0.20	±0.35	±0.70
±100<150	±0.16	±0.30	±0.60
±60<100	±0.13	±0.25	±0.50
±30<60	±0.10	±0.20	±0.40
±10<30	±0.07	±0.15	±0.30
±1<10	±0.05	±0.10	±0.20
±1	±0.03	±0.05	±0.10
±1°	±0.5°	±1°	±1°

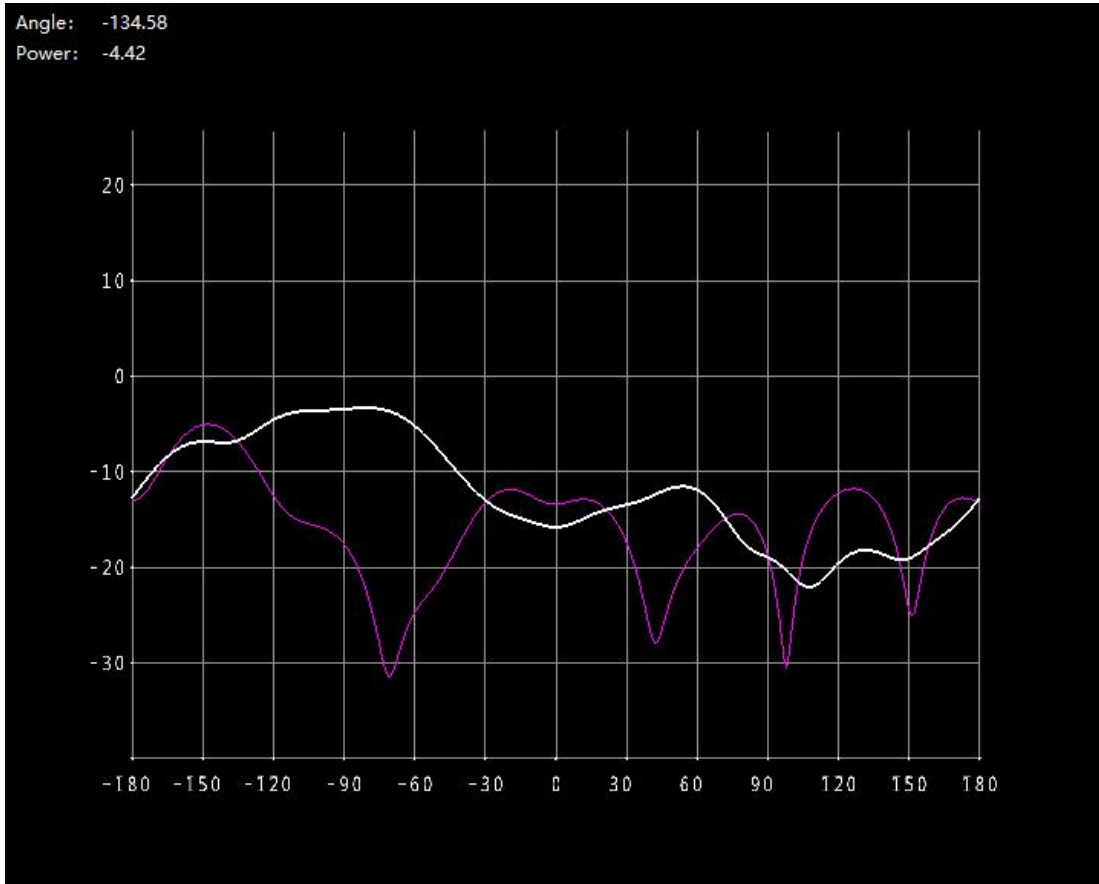


1

2

Charts- Antenna Return loss

佳禾手表



Charts – Efficiency & Peak Gain

佳禾手表

频率 (MHz)	增益 (dB)	效率 (dB)	效率 (%)
1495	-2.99	-10.32	9.29
1510	-2.37	-9.87	10.31
1525	-1.80	-9.42	11.42
1540	-1.40	-9.11	12.28
1555	-1.16	-8.88	12.94
1570	-0.99	-8.68	13.56
1585	-1.09	-8.69	13.51
1600	-1.13	-8.65	13.65
1615	-1.14	-8.60	13.80
1630	-1.24	-8.70	13.50
1645	-1.33	-8.81	13.15
1660	-1.64	-9.12	12.23
1675	-2.84	-10.42	9.07
1690	-3.00	-10.77	8.37
1705	-3.23	-11.17	7.63
1720	-3.48	-11.56	6.99
1735	-3.76	-11.83	6.57
1750	-3.26	-11.22	7.55
1765	-3.61	-11.37	7.30

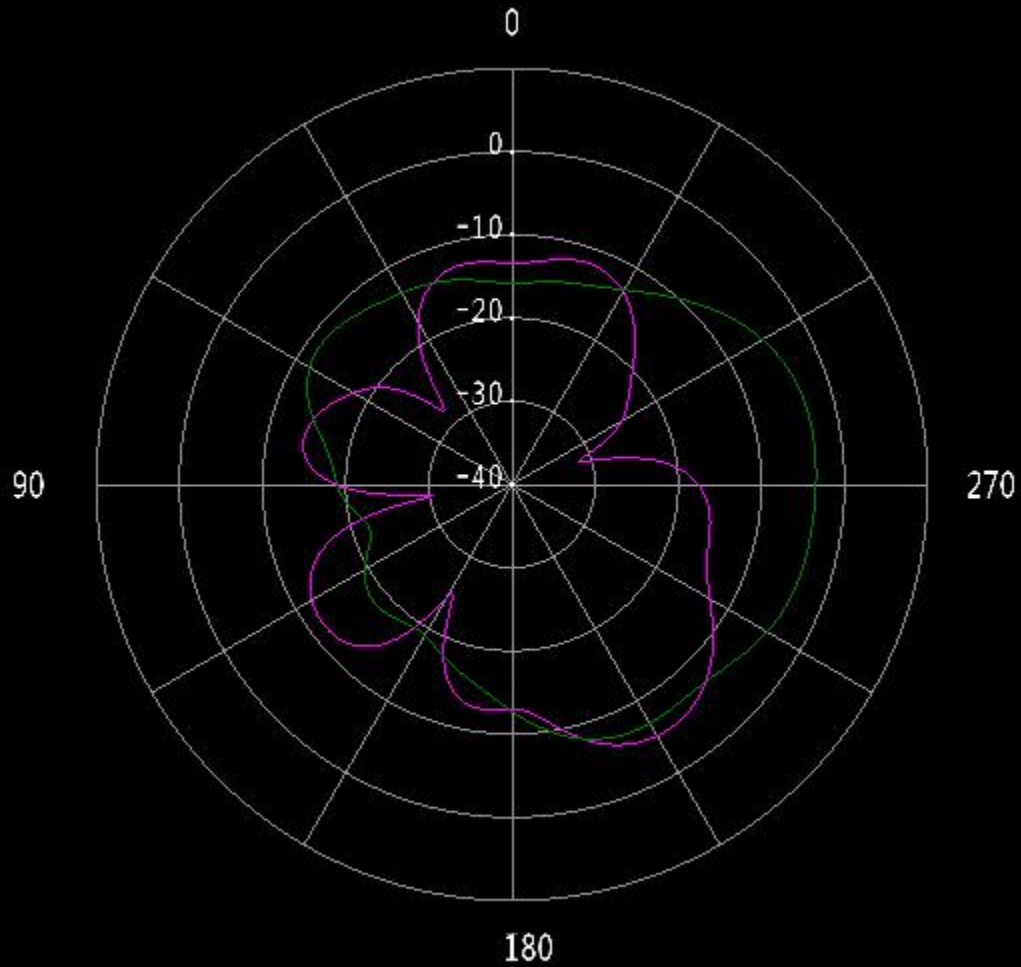
频率 (MHz)	增益 (dB)	效率 (dB)	效率 (%)
2215	-3.21	-11.04	7.87
2230	-2.86	-10.82	8.28
2245	-2.64	-10.68	8.56
2260	-2.45	-10.53	8.85
2275	-2.26	-10.38	9.16
2290	-2.27	-10.40	9.11
2305	-2.16	-10.32	9.28
2320	-2.20	-10.35	9.22
2335	-2.21	-10.35	9.22
2350	-2.51	-10.42	9.07
2365	-2.58	-10.27	9.39
2380	-2.77	-10.24	9.46
2395	-2.99	-10.25	9.44
2410	-3.10	-10.20	9.55
2425	-2.97	-10.11	9.76
2440	-2.98	-10.10	9.76
2455	-2.91	-10.03	9.93
2470	-2.78	-9.92	10.20
2485	-2.73	-9.81	10.46

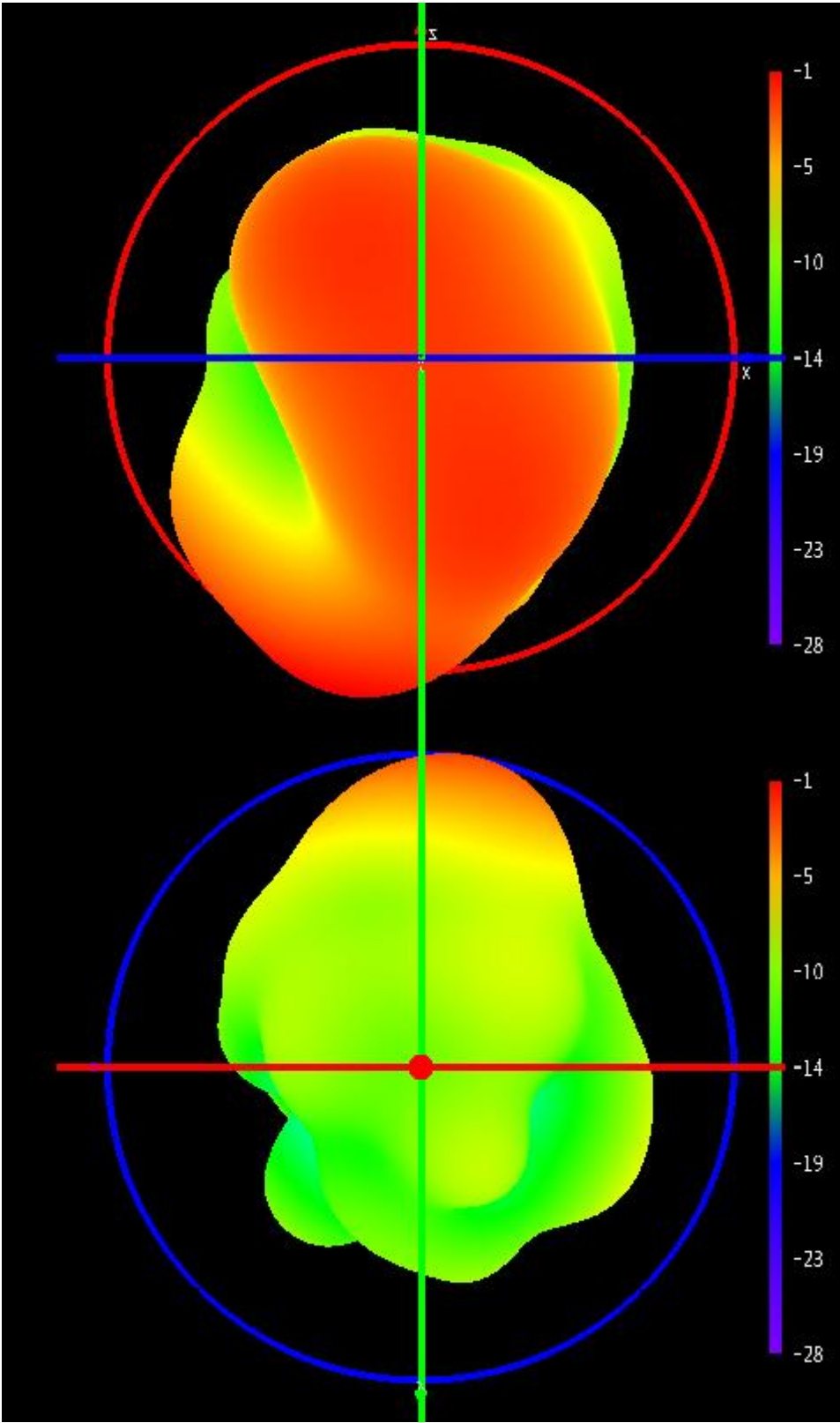
Charts – Antenna Radiation Gain Pattern

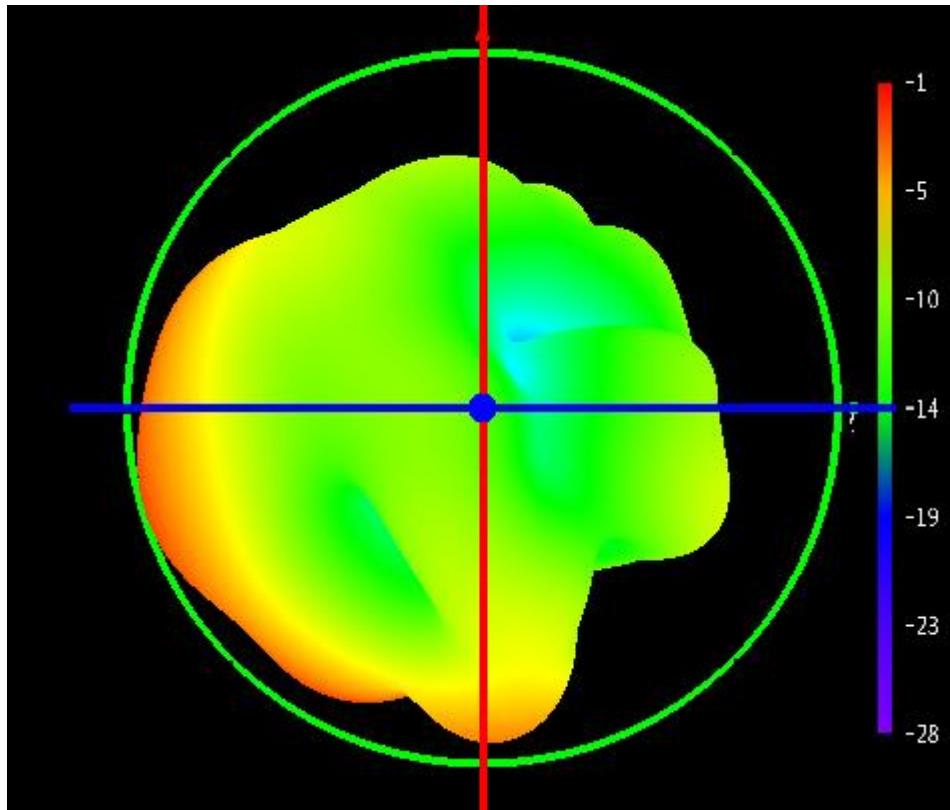
佳禾手表

1575MHz

Angle: 5.03
Power: 28.58



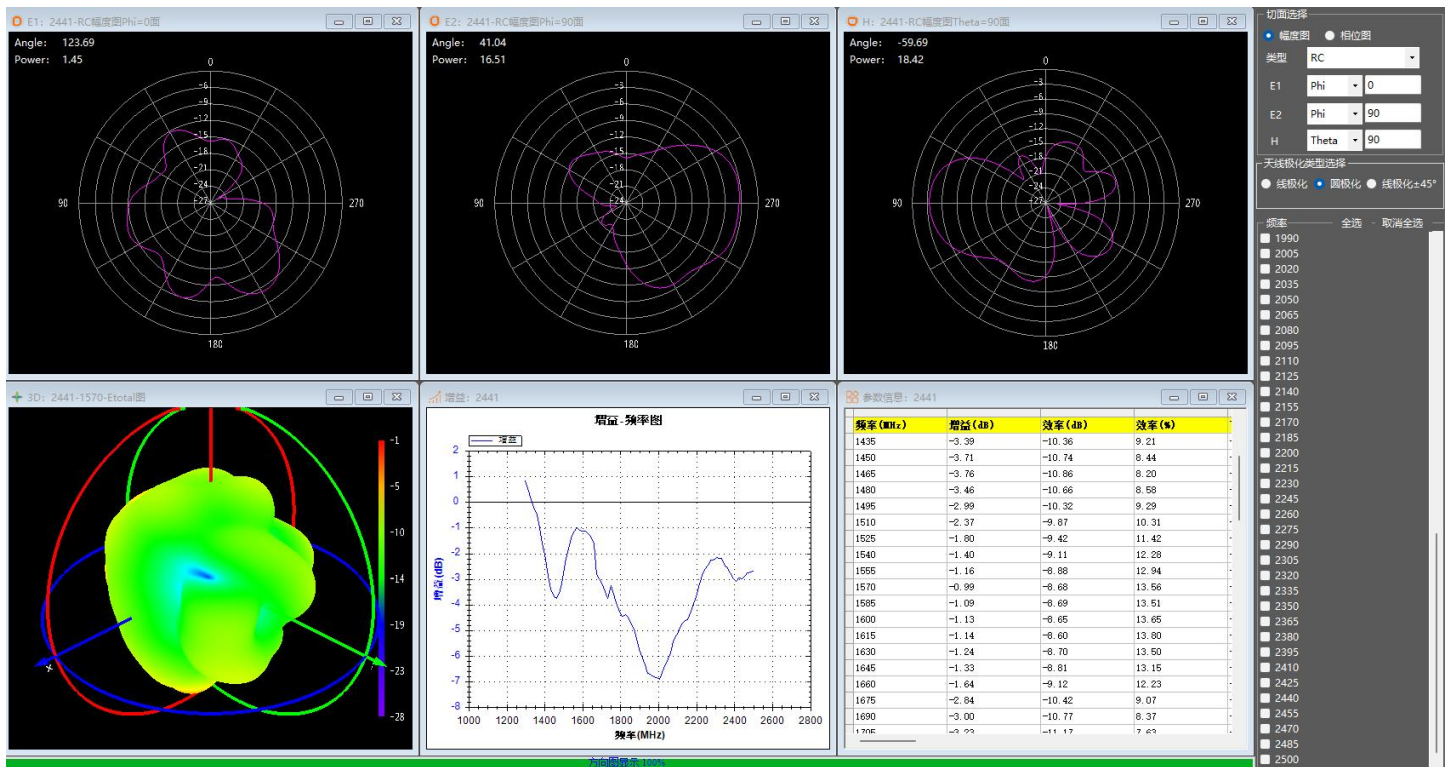




Charts – Antenna Radiation Gain Pattern

佳禾手表

2441MHz



-END-