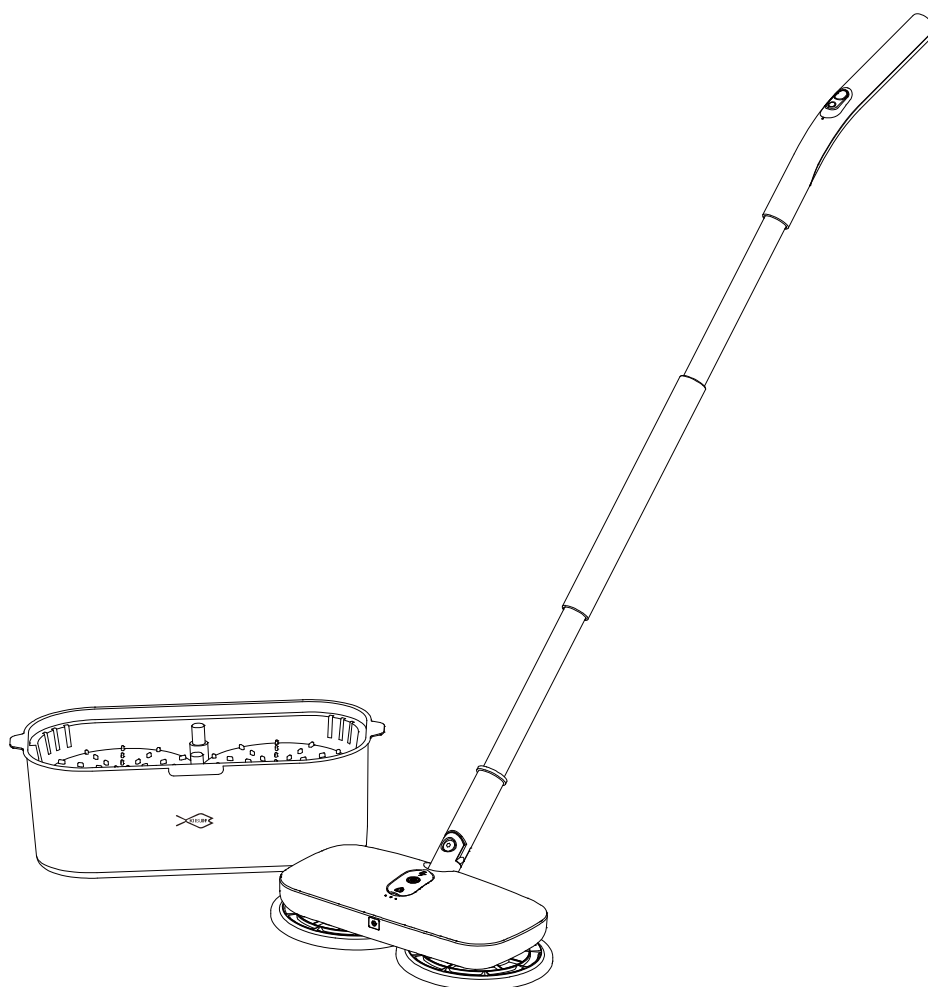
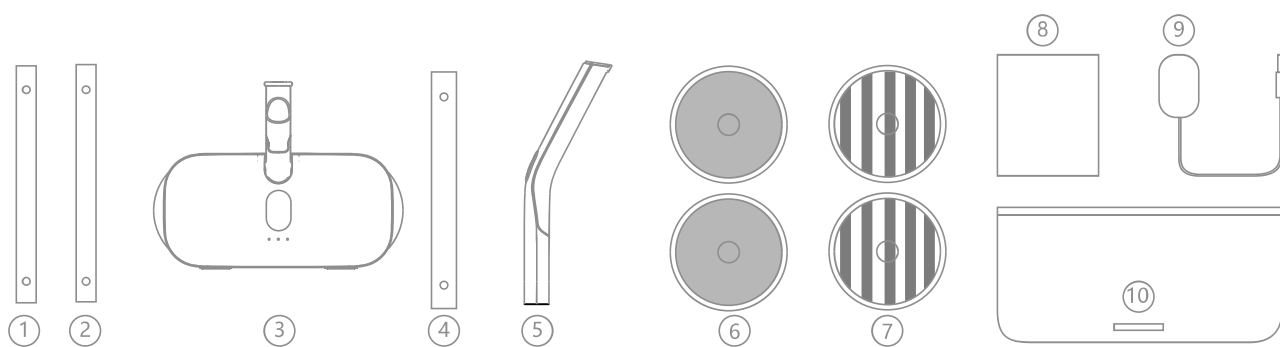


BEVIMI

Cordless Handheld Electronic Mop

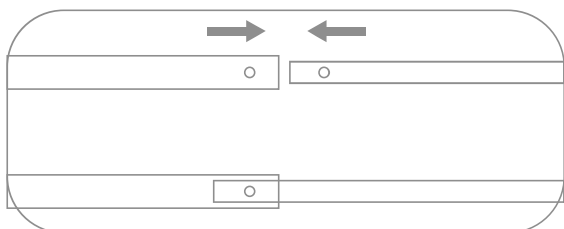


1. ACCESSORIES

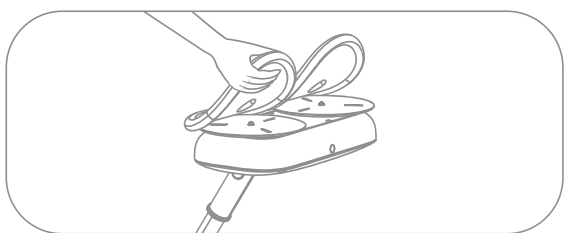


- | | | |
|----------------|-----------------------|------------------------------|
| ① Metal Tube | ⑤ Handle (Controller) | ⑨ Power Adapter |
| ② Metal Tube | ⑥ Waxing Mop Pad | ⑩ Cleaning Bucket (Optional) |
| ③ Main Machine | ⑦ Wet and Dry Mop Pad | |
| ④ Plastic Tube | ⑧ Instruction Manual | |

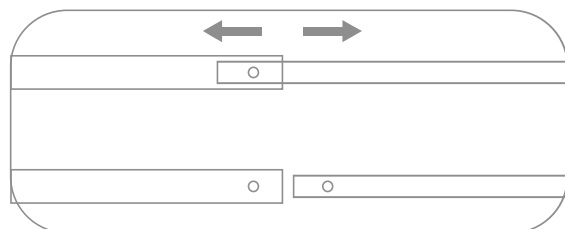
2. ASSEMBLY



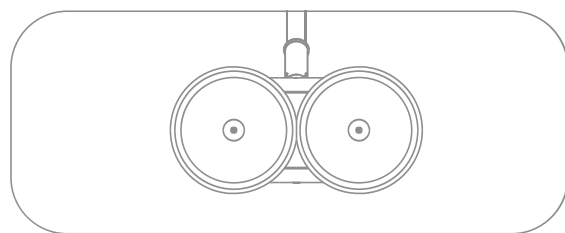
Insert the metal tube into the plastic tube (both ends of the metal tube can be inserted).



Stick the inner face of mop pads on the wheels at the bottom of the main machine.



The connected metal and plastic tubes can be disassembled by pressing down the joint point.



Be sure to stick in the center of the wheels. Please re-stick if it is not centered.

Note: When the controller fails to manipulate the main machine, re-match them.

a. Shut down the machine, then press the power button on the controller and the main machine. Hold until the rapid flash of three white lights indicates a successful match.

Dry Pad (off-white)



Wet Pad/Waxing Pad (blue)



B. Power on/Power off

Power on: In the first use of the product, press the power button and enter standby mode. (The current levels of battery capacity are shown on the panel: three levels of battery full, two levels of battery medium, and one level of battery low; please charge in time when the right-side light flickers).

Power off: Press and hold the power button for about three seconds.

Note: The machine enters sleep mode after 3 minutes of no operating under the standby mode. Press and hold the start/pause button or press the power button to wake up the machine. Please press the power button to switch off the mop if it is not used for a long time.



Battery Full



Battery Medium



Battery Low



Battery Exhausted
(right-side light flickers)

C. Start / Pause

Start: Under standby mode, press the start/pause button on the controller, then the main machine starts to work after three lights flash. (If the machine is in sleep mode, press and hold for about 3 seconds to enter standby mode.)

Pause: Press the start/pause button, then the operating mode will be paused and turn back to standby mode.

Note: The mop will automatically pause when it is lifted above the ground. Put the machine in the working area and press the start/pause button to restart.

D. Water Spray

To spray water, press the spray button on the controller in standby or operating mode.

E. Charge

Insert the power adapter plug, and the main machine enters the charging state. Three white lights will be steady on after the charging is complete.

Note: When in use, when the handle (remote control) switch or water spray button is pressed, a red indicator light on the handle (remote control) lights up. If the indicator light does not light up, check whether the battery behind the handle (remote control) is installed correctly or whether the battery Whether there is power shortage.

F. Water Injection

Lift the water tank's lid, pour water with a measuring cup, and return the lid after the water tank is filled. (For floor disinfectant/ floor conditioner, follow the instructions.)

G. Power Indicator Light

Three indicator lights indicate 100%, 65%, and 30% of battery capacity, respectively.

The right-side light flickers when the battery runs out. Please charge the machine in time.

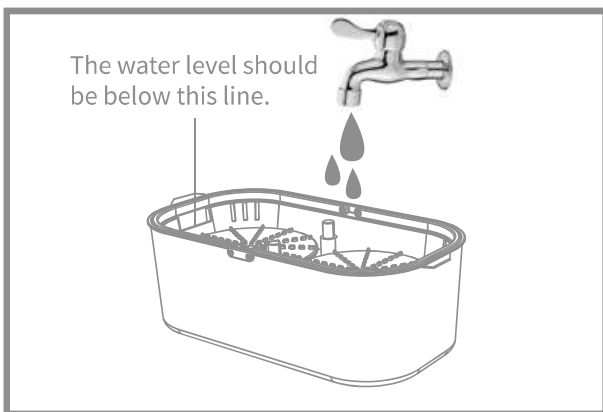
Note: To charge this product, be sure to use the power adapter based on the manufacturer's standard.

H. Cautions for Cleaning

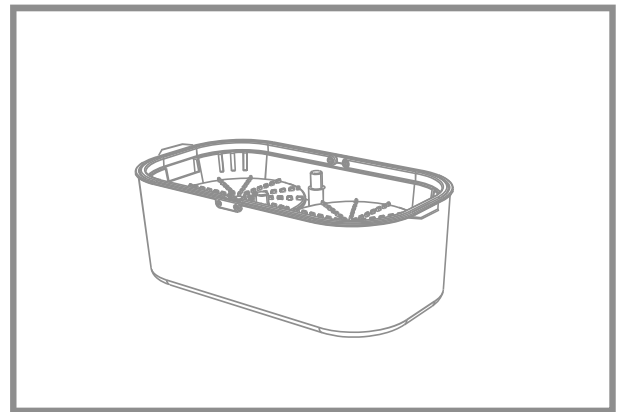
1. It is suggested to sweep out the dirt before using the electronic mop when the ground is obviously dirty or has not been cleaned for a long time.
2. Using the mop directly on a dusty ground may generate a mass of flocs that could hardly be cleaned up.

I. Use Cleaning Bucket (Optional Accessory)

CAUTIONS FOR ADDING WATER

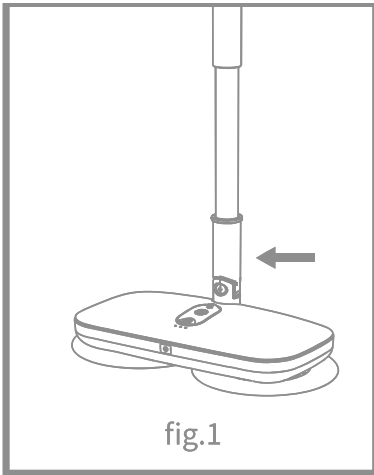


To avoid water overflow into the internal bucket, do not exceed the maximum water level when adding water.

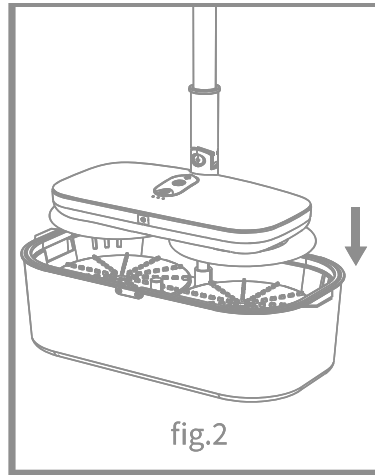


Please put the cleaning bucket in the bathroom or on the balcony.

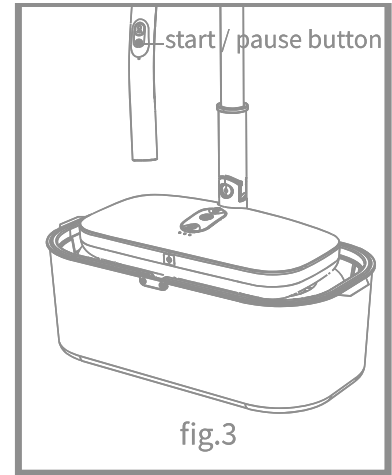
CAUTIONS FOR CLEANING MOP



Rotate the handle to vertical. (fig.1)



Aim at two cylindrical points and place the mop vertically into the cleaning bucket. (fig.2)



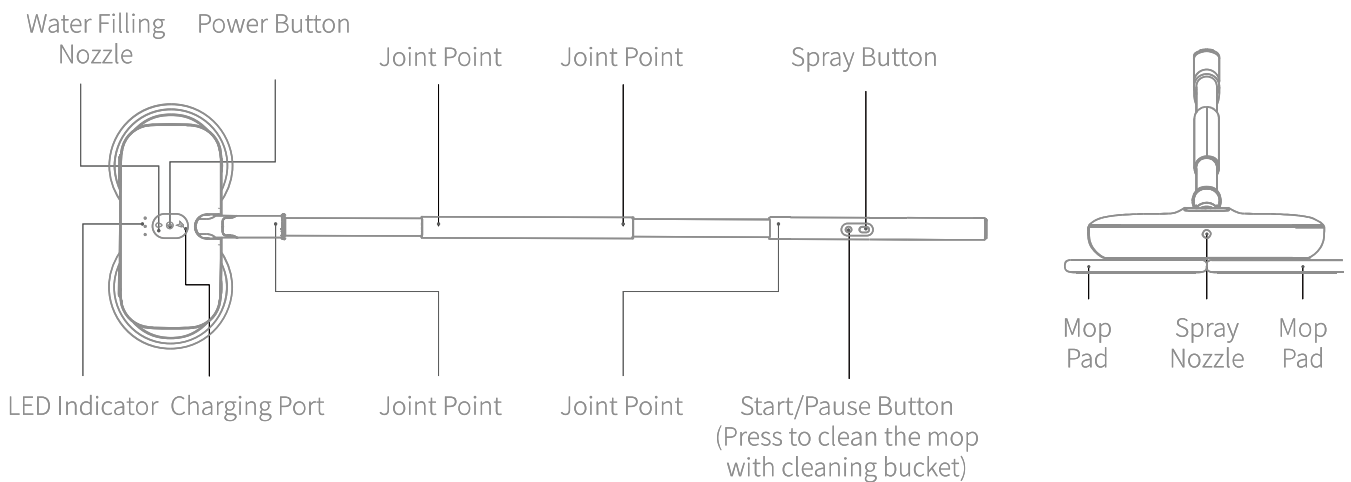
Press the start/pause button to start cleaning when the mop head is put in. Press the start/pause button again to stop.

Caution: Do not lift the mop when cleaning. Otherwise, the cleaning process will stop.

Note:

1. Mop pads need to be dried after cleaning. Pour out the dirty water and re-press the start/pause button to spin and start dehydration.
2. To avoid damaging the machine, do not put the mop under the faucet for washing.

J. Mop Body



4. CAUTIONS

A. The product is equipped with wet and dry and waxing mop pads. Please select correctly according to the actual needs before use.

Note: Do not use the waxing pad with an excessive amount of floor conditioner. Otherwise, the ground will be too slippery to cause unnecessary loss.

It is generally recommended for a 100 m² area to use about 80 ml of floor conditioner, and so on.

B. Please empty water or other liquids in the mop's water tank if the product is not used for a long time (press and hold the spray button to empty the water tank).

C. When charging this product, please use the standard power adapter.

D. Instructions for Using Floor Disinfectant

a. Please strictly follow the ratio of 1/100 to use the floor disinfectant. In case of discrepancies, please refer to the official instructions.

b. The mix proportion above is only appropriate for disinfecting the surface of floorboards and floor tiles.

c. Do not dilute the disinfectant with water above 40°C. In case of discrepancies, please refer to the official instructions.

d. To avoid accidental conditions, keep ventilation and avoid direct contact with skin when using.

e. It is recommended to dilute the disinfectant separately. Be sure not to mix the disinfectant with the original cleaner or floor conditioner.

f. For further information, please refer to the disinfectant's official instructions.

Note: To avoid the situation that residual disinfectant blocks the nozzle, add a small amount of clean water and press the spray button to empty the water tank.

*Caution:

1. Normally, the motor emits heat during operation. When the machine continuously works for a long time (especially with wet pads), the motor enters overheating protection and will be automatically suspended (a normal phenomenon). Please wait until the motor cools down before continuing.

2. Please suspend using if the indicator light warns motor overheating during use.

* Please contact our after-sales service for assistance if the instruction manual is not helpful for troubleshooting.

E. Battery Safety

* Do not disassemble, open, shred or pierce the battery with metal.

* Avoid physical shock, impact or extrusion.

* Stop using the battery if it is severely swollen.

* Do not use the battery after soaking in water.

* The exhausted battery cannot be disposed of as general waste. Please refer to the local regulations on the disposal of electronic waste. An incorrect treatment method may lead to a battery explosion.

5. PRODUCT SPECIFICATIONS

Product Model: YD-MOP1	Voltage: 14.8 V ===	Power: 32.56 W	N.W.: 1.75 Kg
Water Tank: 250 ml	Charging Time: Around 3-5 hrs	Battery Capacity: 2000mAh	
Product Size: 150*290*1200 mm			

6. TROUBLESHOOTING GUIDE

Common Problem	Possible Cause	Solution
No water comes out	Shortage of water or other liquids	Add water or other liquids in time.
	Air in the water circuit	Press the spray button several times until the air is expelled.
Intermittent water	Nozzle clogging	Gently scratch the tip of the nozzle with a sharp needle.
Nozzle leakage	Liquid wax/floor conditioner with particles	Rinse several times with water.
The handle does not light up when pressed in controlling	AAA battery exhausted	Replace battery.
During spraying the red light flickers twice	Tank water shortage	Refill the water tank in time.
During mopping the red light and the left white light flicker simultaneously	Left motor overload protection	<ol style="list-style-type: none"> 1. Check whether the left mop is installed in place. 2. Suspend work to let the motor cool down.
During cleaning the red light and the right white light flicker simultaneously	Right motor overload protection	<ol style="list-style-type: none"> 1. Check whether the right mop is installed in place. 2. Suspend work to let the motor cool down.
During power-on the indicator does not light up	Low battery voltage or battery overcurrent protection	Charge the main machine in time.
During charging the middle light flickers in red	High battery temperature or abnormal charging	Suspend charging and contact the after-sales service.
The left light is white and the middle light flickers quickly in red	Left wheel blocked	Check the left wheel if foreign objects stuck on it (please clean up).

The right light is white and the middle light flickers quickly in red	Right wheel blocked	Check the right wheel if foreign objects stuck on it (please clean up).
The Left and right lights are white and the middle light is red (machine suspended work)	Over-temperature protection	Please wait for the motor to cool naturally before continuing to use it.

7. HAZARDOUS SUBSTANCES

Part Name	Hazardous Substances					
	Lead (Pb)	Mercury (Hg)	Cadmium (Cd)	Hexavalent chromium (Cr (VI))	Polybrominated biphenyls (PBB)	Polybrominated diphenyl ethers (PBDE)
Rubber parts	<input type="radio"/>	<input type="radio"/>	<input type="radio"/>	<input type="radio"/>	<input type="radio"/>	<input type="radio"/>
Hardware	<input type="radio"/>	<input type="radio"/>	<input type="radio"/>	<input type="radio"/>	<input type="radio"/>	<input type="radio"/>
Circuit board	<input type="radio"/>	<input type="radio"/>	<input type="radio"/>	<input type="radio"/>	<input type="radio"/>	<input type="radio"/>
Battery	<input type="radio"/>	<input type="radio"/>	<input type="radio"/>	<input type="radio"/>	<input type="radio"/>	<input type="radio"/>
Adapter	<input type="radio"/>	<input type="radio"/>	<input type="radio"/>	<input type="radio"/>	<input type="radio"/>	<input type="radio"/>

Compilation of this form based on the provisions of SJ/T11364

O: Indicates that said hazardous substance contained in all of the homogenous material of the part is below the limit specified in GB/T26572.

X: Indicates that the content of the hazardous substance in at least one of the homogeneous materials used in this part is above the requirement of GB/T26572 but conforms to the limit requirements of the “List of Exceptions for the Application of Restricted Substances”.



8. Warranty Card

<p>In the regular use of the product, if the malfunction caused by non-artificial reasons occurred, the customer is entitled to have a free warranty for the product within 12 months from the date of signing.</p> <p>One of the following circumstances that happen during the warranty period shall invalidate the free warranty:</p> <p>1. Damage and malfunction caused by not using the product according to the instruction manual or human factors.</p>	Product Model
	Purchase Date

2. Damage caused by disassembling and repairing by the person who is non-professional and not the staff of our company.

3. Damage caused by natural causes and other external factors.

4. Disassembling, repairing, dropping the product or soaking it in water, and so on without the authorization of Youdian Technology Co., Ltd.

5. Damage caused by force majeure.

Repair and maintenance services would be provided at a reasonable cost for products beyond the warranty period.

The company reserves the right of final interpretation and is subject to change without notice.

Service hotline: 400-002-9889

Customer Name	
Customer Phone	
Customer Address	
Other Information	

This device complies with part 15 of the FCC Rules. Operation is subject to the following two conditions: (1) This device may not cause harmful interference, and (2) this device must accept any interference received, including interference that may cause undesired operation.

Any Changes or modifications not expressly approved by the party responsible for compliance could void the user's authority to operate the equipment.

Note: This equipment has been tested and found to comply with the limits for a Class B digital device, pursuant to part 15 of the FCC Rules. These limits are designed to provide reasonable protection against harmful interference in a residential installation. This equipment generates uses and can radiate radio frequency energy and, if not installed and used in accordance with the instructions, may cause harmful interference to radio communications. However, there is no

guarantee that interference will not occur in a particular installation. If this equipment does cause harmful interference to radio or television reception, which can be determined by turning the equipment off and on, the user is encouraged to try to correct the interference by one or more of the following measures:

- Reorient or relocate the receiving antenna.
- Increase the separation between the equipment and receiver.
- Connect the equipment into an outlet on a circuit different from that to which the receiver is connected.
- Consult the dealer or an experienced radio/TV technician for help.

This equipment complies with FCC radiation exposure limits set forth for an uncontrolled environment. This equipment should be installed and operated with minimum distance 20cm between the radiator & your body.

Manufacturer: Youdian Technology Co., Ltd.

Address: Room 401, Research Building, Tsinghua Hi-tech Park, Nanshan District, Shenzhen

Postal Code: 518052

Service Hotline: 400-002-9889

Official Website: www.youdianhome.com