

COMFORT WORKSPACE

COMFORT OFFICE FURNITURE CO., LTD GUANGDONG
ADD No. 3 Lujing Industry Zone, Nansha Street, Nansha
District, Guangzhou, Guangdong, China
TEL: 86-20-84982147
FAX: 86-20-34680856/86-20-84983656
WEB: WWW.COMFORTWORKSPACE.COM

UPPER USER MANUAL





COTENTS

● IMPORTANT SAFETY INSTRUCTIONS	01
● PARTS LIST	03
● ASSEMBLY INSTRUCTIONS	06
● OPERATION INSTURTIONS	11
● UPPER TABLES SYSTEM CONTROL	12
● MONITOR ELECTRIC ARM	13
● ATTENTIONS	15
● UPPER Control System Connection Diagram	17
● GROUNDING INSTRUCTIONS	18
● USER MAINTENANCE INSTRUTION	18
● "COMFORT SMART" APP USER MANUAL	19

IMPORTANT SAFETY INSTRUCTIONS



When using an electrical furnishing, basic precautions should always be followed, including the following:

Read all instructions before using (this furnishing).

DANGER – To reduce the risk of electric shock:

Always unplug this furnishing from the electrical outlet before cleaning or servicing.

WARNING – To reduce the risk of burns, fire, electric shock, or injury to persons:

1. Unplug from outlet before putting on or taking off parts.
2. Close supervision is necessary when this furnishing is used by, or near children, invalids, or disabled persons.
3. Use this furnishing only for its intended use as described in these instructions. Do not use attachments not recommended by the manufacturer.
4. Never operate this furnishing if it has a damaged cord or plug, if it is not working properly, if it has been dropped or damaged, or dropped into water. Return the furnishing to a service center for examination and repair.
5. Keep the cord away from heated surfaces.
6. Never operate the furnishing with the air openings blocked. Keep the air openings free of lint, hair, and the like.
7. Never drop or insert any object into any opening.
8. Do not use outdoors.
9. Do not operate where aerosol (spray) products are being used or where oxygen is being administered.
10. To disconnect, turn all controls to the off position, then remove plug from outlet.
11. **“WARNING: Risk of Injury – Keep children away from extended lifting standing table and lifting monitor arm.”**
12. **“WARNING: Risk of Electric Shock – Connect this furnishing to a properly grounded outlet only. See Grounding Instructions. 7”**
13. For loading always put heavier items at the bottom and not near the top in order to help prevent the possibility of the furnishing tipping over.

14. **Warning: Risk of Injury to Persons – do not place video equipment such as televisions or computer monitors on lifting standing table.**

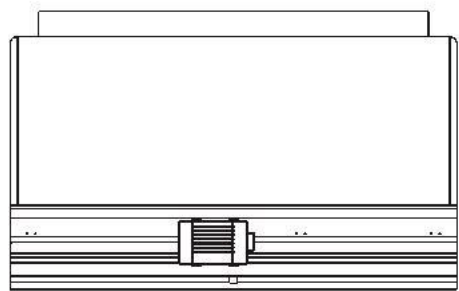
15. **CAUTION** : Risk of Electric Shock –this unit has two power supply cords. Unplug both cords before moving or servicing this furnishing.

16. **WARNING: Risk of Electric Shock, Fire, and Injury** – review the assembly instructions to confirm that the appropriate critical components and accessories are being used with the furnishing.”

17. **WARNING: RISK OF INJURY** - not to be used in locations where children, or people with cognitive disabilities are anticipated to be present. If present, closely supervised.

SAVE THE INSTRUCTIONS

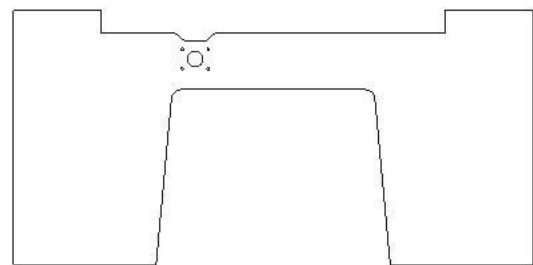
PARTS LIST



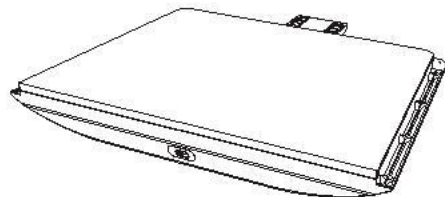
1 Electric Lifting Screen*1



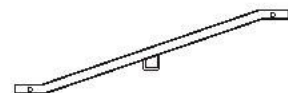
2 Electric Lifting Monitor Arm*1



3 Desktop Board*1



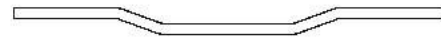
4 Electric Lifting Standing Table*1



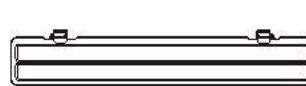
5 Vertical Square Tube*2



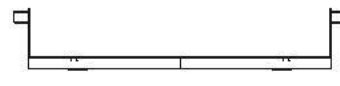
6 Inside Horizontal Square Tube*1



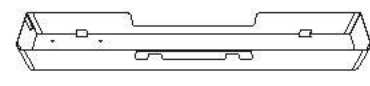
7 Outside Horizontal Square Tube*1



8 Screen Under Table*1

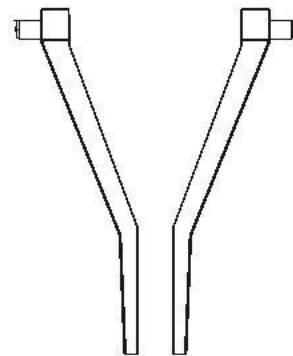


9 Main Aluminum rectangular support tube*1



10 Main Aluminum rectangular support tube*1

11 Table Left Legs*2



11 Table Right Legs*2



12 Electric Wire Box Handle *2



13 Support blocks for Desktop board*3



14 Fixed Parts for Electric Wire Box*3



15 Connection Parts for Square Tube*2



16 Fixed Parts for Rotating Electric Wire Box *2



17 Manual Control Panel for Electric Lifting Table*1



18 Central Control Box*1



19 Central Control Box Power Plug*1

PARTS LIST

Screws for Lifting Table



20 Screw #1: M6*13 *4pcs



21 Screw #2: 1/4*3/4 *8pcs



22 Screw #3: M8*28.5 *2pcs



23 Screw #4: M8*35 *2pcs



24 Screw #5: M8*55 *8pcs



25 Screw #6: M5*9 *4pcs



26 Screw #7: M4*15 *9pcs



27 Screw #8: M5*8.2 *6pcs

Screws for Electric Lifting Table



28 Screw #9: 4*22 *12pc



29 Screw #10: 4*25 *4pc



30 Screw #11: 4*18 *4pc

Screws for Electric Lifting Arm



31 Screw #12: M5*17.5 *1pc



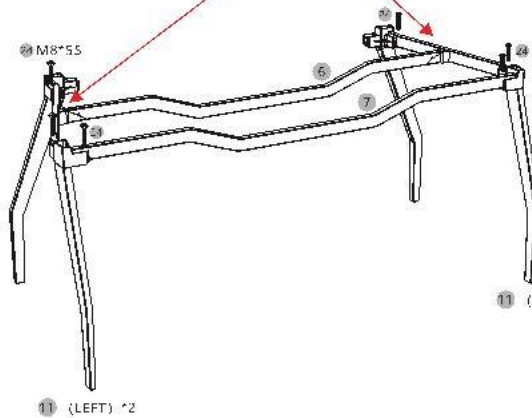
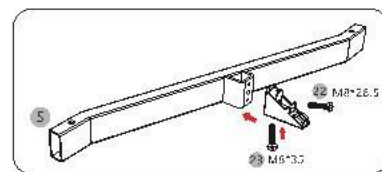
32 Screw #13: 1/4*1-3/8*4pc



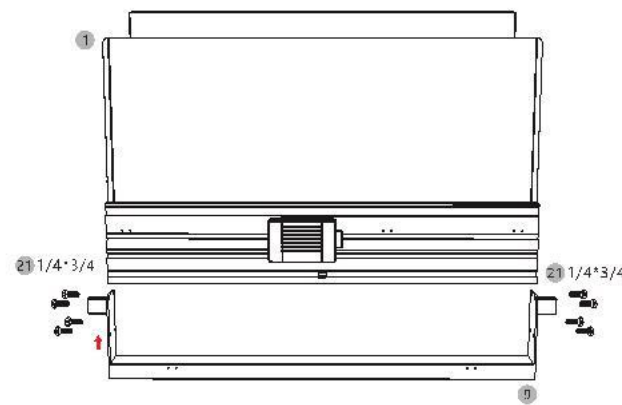
33 Screw #14: M5*8.2 *4pc

ASSEMBLY INSTRUCTIONS

STEP1

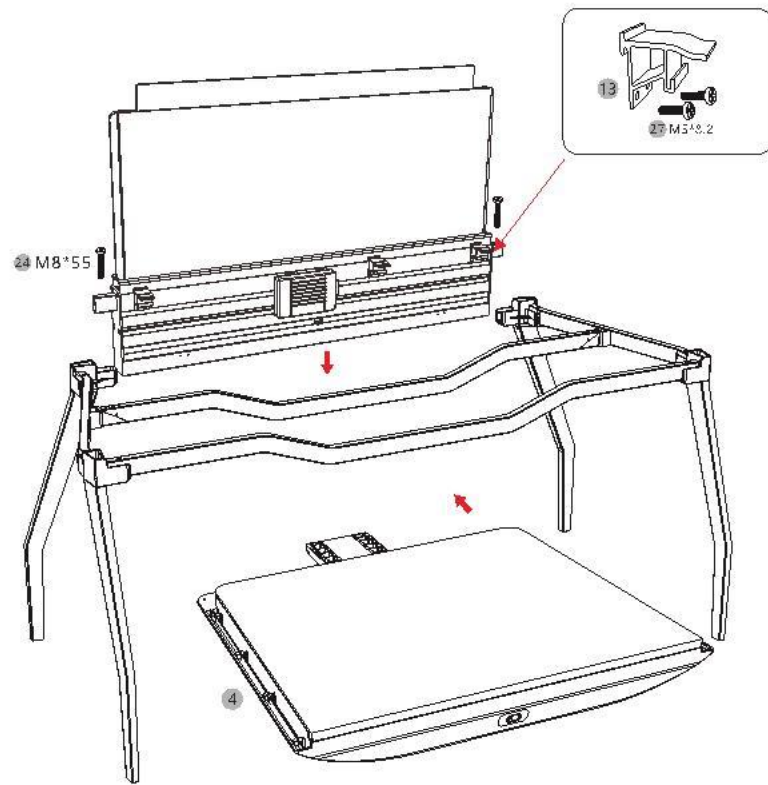


STEP2

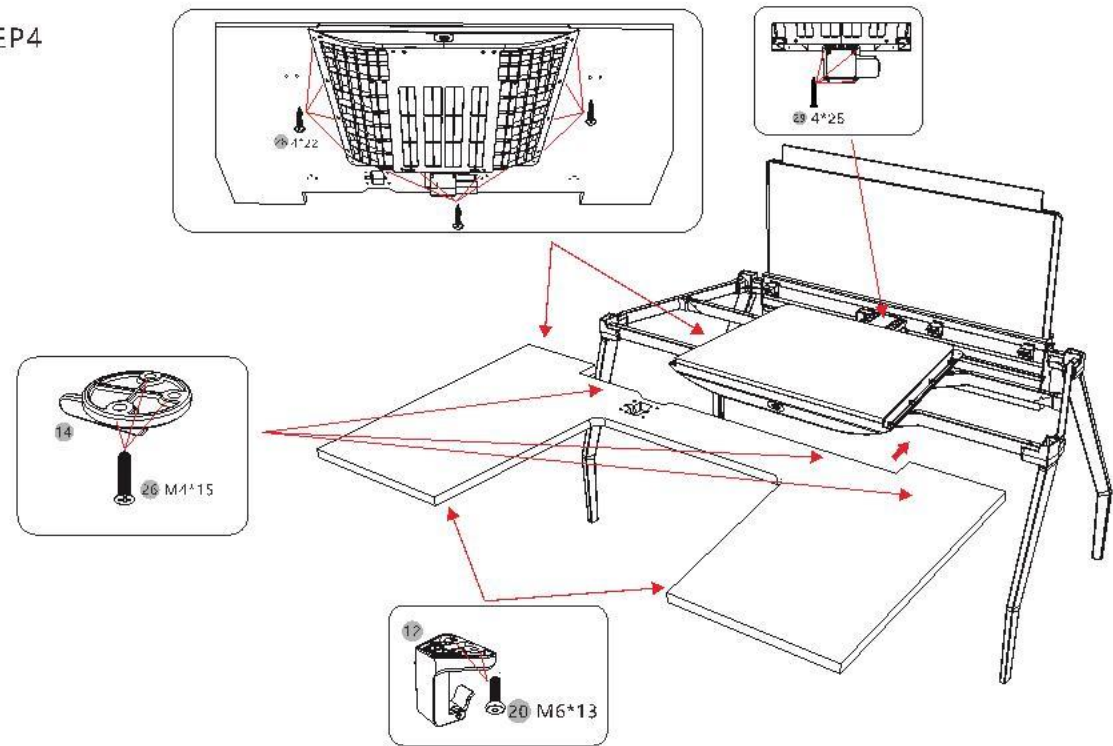


ASSEMBLY INSTRUCTIONS

STEP 3

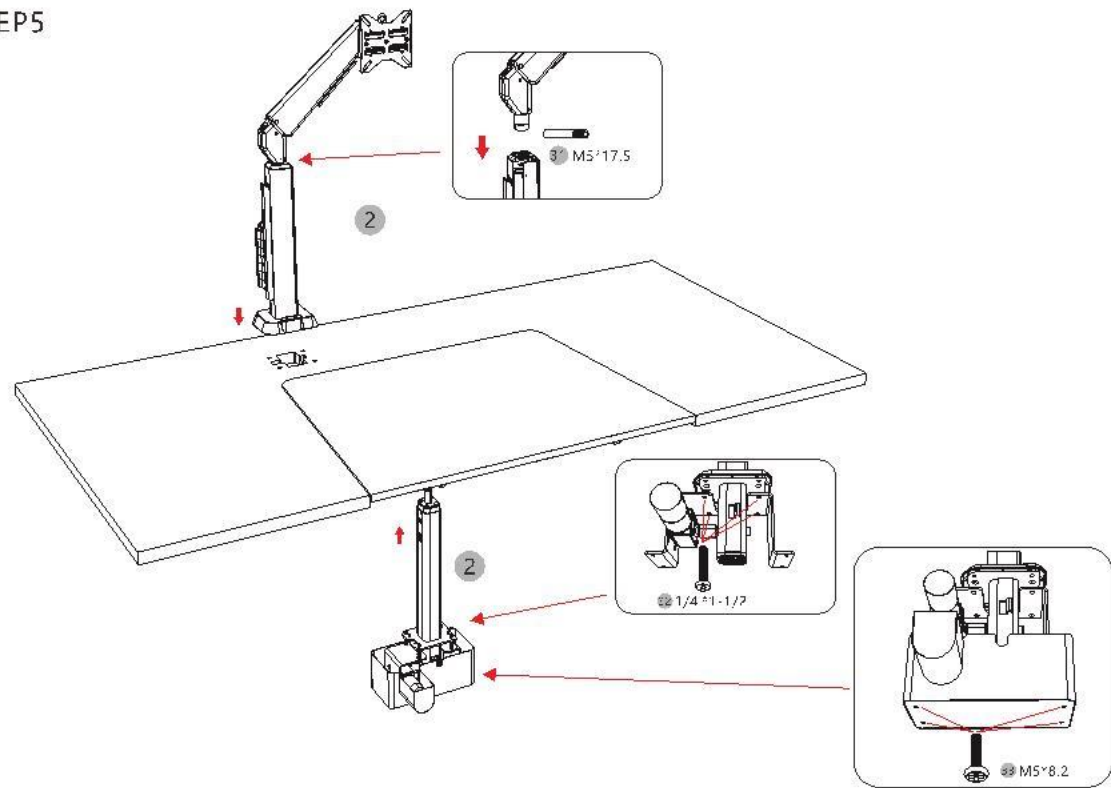


STEP 4

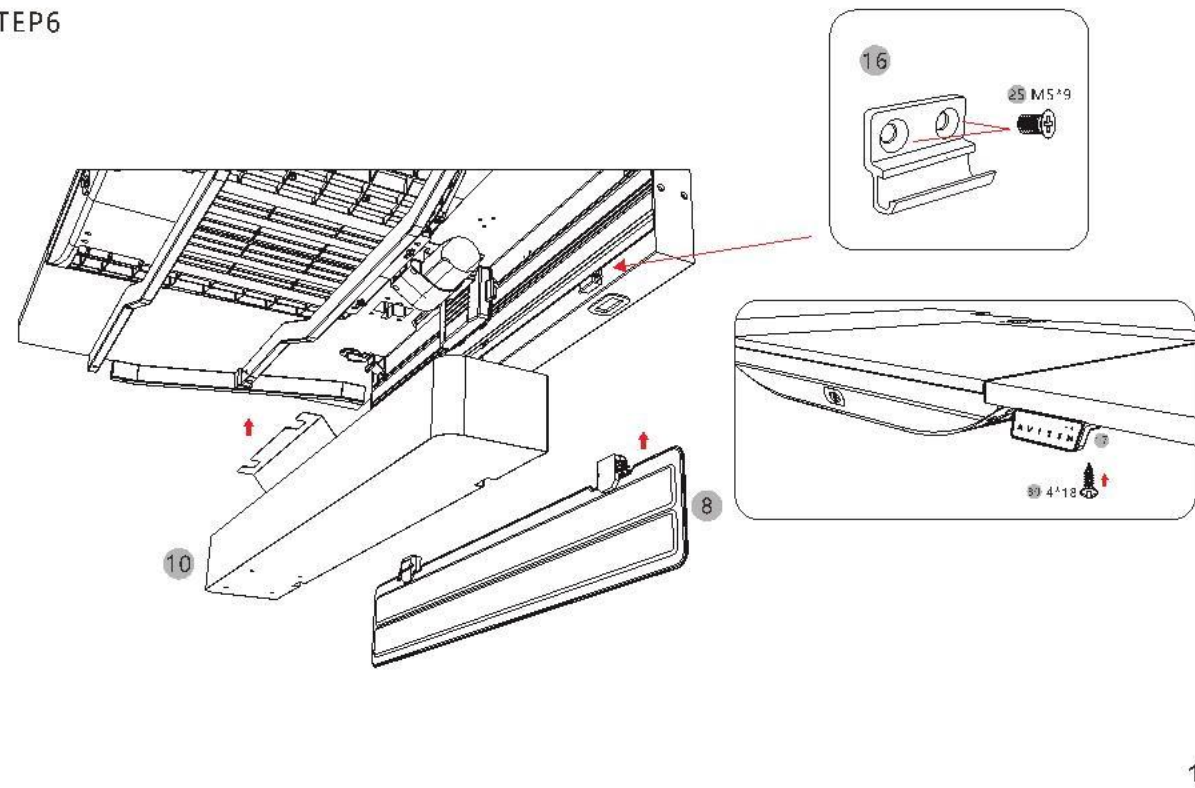


ASSEMBLY INSTRUCTIONS

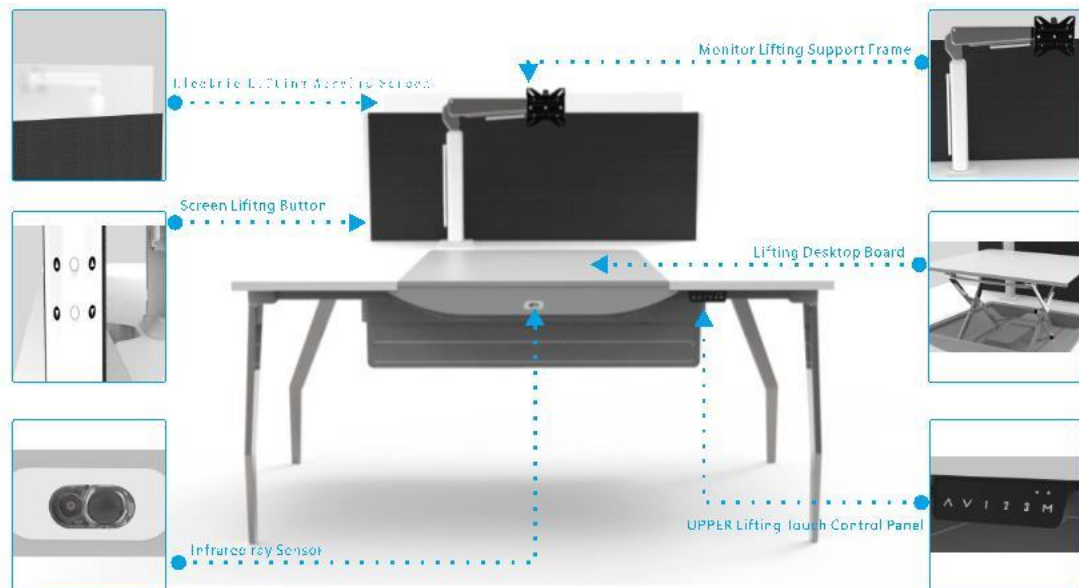
STEP 5



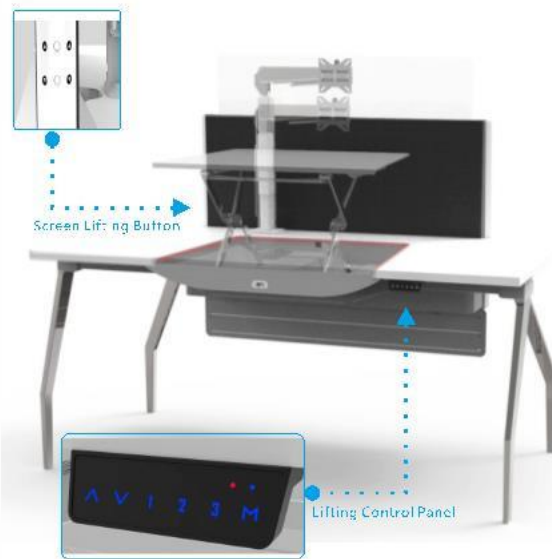
STEP 6



OPERATION INSTRUCTION



UPPER SYSTEM CONTROL INSTRUCTION



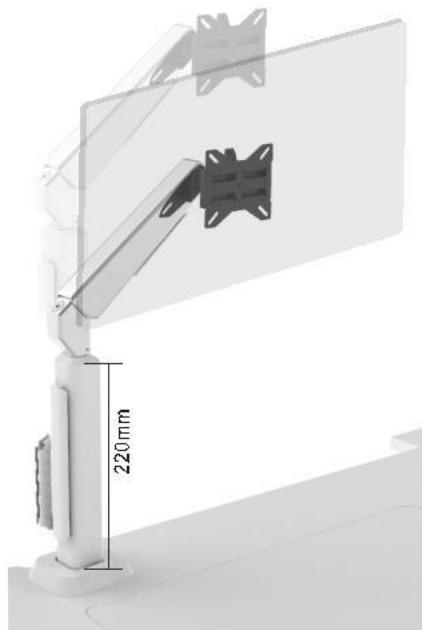
1. 'A' Lifting button, when pressed long time, the lifting desktop board is going up. When the monitor lifting arm and the acrylic screen sense the rise of the table, they follow to the highest position.
2. 'V' Going down button, when pressed long time, the lifting desktop board is going down. When the monitor lifting arm and the acrylic screen sense that the lifting table drops to the bottom, they follow to the lowest position.
3. When the screen lifting button is pressed, the screen continues to rise to the highest point; when pressed the going down button, the screen continues to decrease to the lowest point; when the screen is raised to the proper height, press the up or down button to stop lifting.
4. '1, 2, 3' are for positions heights. Combine with 'M' Button to set memory positions according to users' height and match different height users.
5. 'M' is setting memory heights button. When using the desktop board to adjust to the proper height, press and hold the M button, the blue light will continue to flash, then press the memory position that needs to set the corresponding number to finish the setting, and blue light goes out.
6. When the lifting table board is caught in the falling process or the human body enters the anti-pinch sensing area (red marking areas), the red warning light continues to flash, the desktop board will stop falling, and then slowly rebound, indicating that there is foreign matter involved, requiring the user check that the device is used correctly.
7. When an abnormality occurs during the use of the device, press the up 'A' and down 'V' buttons at the same time, the red warning light is always on. When the 'drop' sound is heard, the desktop board is lowered to the bottom, indicating that the reset is completed and the warning light is off.
8. When lifting desktop board is used, the weight of the desktop board is 10 KG. When the desktop board exceeds the set weight value, the device may be abnormally used.
9. Users can download the 'Comfort Smart' APP to remotely assist and collect and analyze the data.

Attention:

- ①: The reset setting can be used when the lifting device is not humanized during the lifting process, causing the device to stop operating, that is, the device is abnormal.
- ②: Any control buttons on the control panel will light up all blue lights. When the operation is completed, the blue light will automatically go out after 10 seconds.

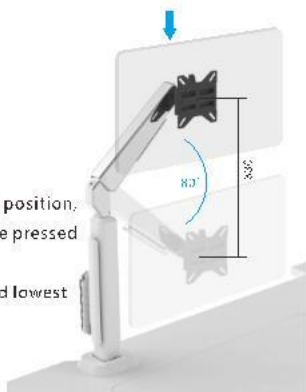
UPPER MONITOR ARM OPERATION INSTRUCTION

Monitor Lifting Support Bar can be lifted up or down with a distance of 220mm.



When Upper Arm in the original position, the Front Arm Support Bar can be pressed down by 80°.

The distance of highest point and lowest one is 330mm



⚠ Hang the monitor on the connection part from up to down, and make sure fix tightly.

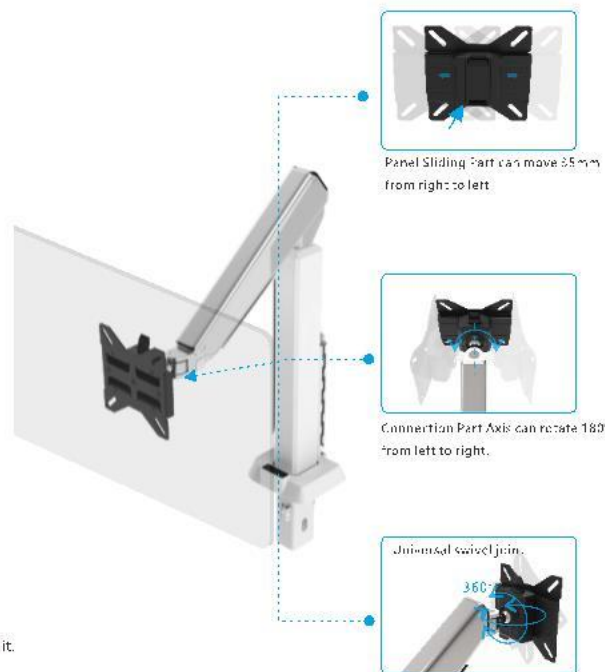


Slide up the monitor fixed part to take out.

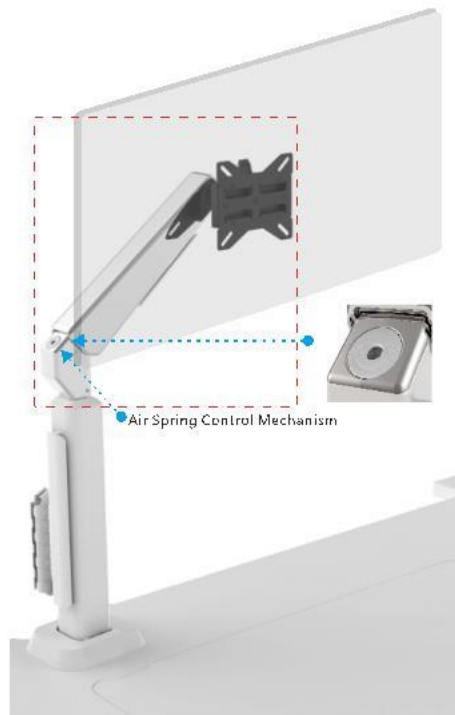
Monitor



Lock the monitor fixed part with screws to fix it.



ATTENTIONS



- ⚠ Front Arm Support Bar (circled by red line) can load 2.5-9KG. During process of lifting up, the load weight exceed maximum load, the lifting function will out of action and arm support bar will stop freely. Do not disassemble and inspect at will.
- After assemble the monitor, if it can not stop in any heights when adjusting monitor, reduce load weight of front arm support bar by adjusting "-", adjusting "+" to increase load weight. It can make balance of monitor weight and load weight of front arm support bar to achieve stopping freely. (Please use #4 hexagonal wrench if adjusting arm support bar.)
- Tidy Cables

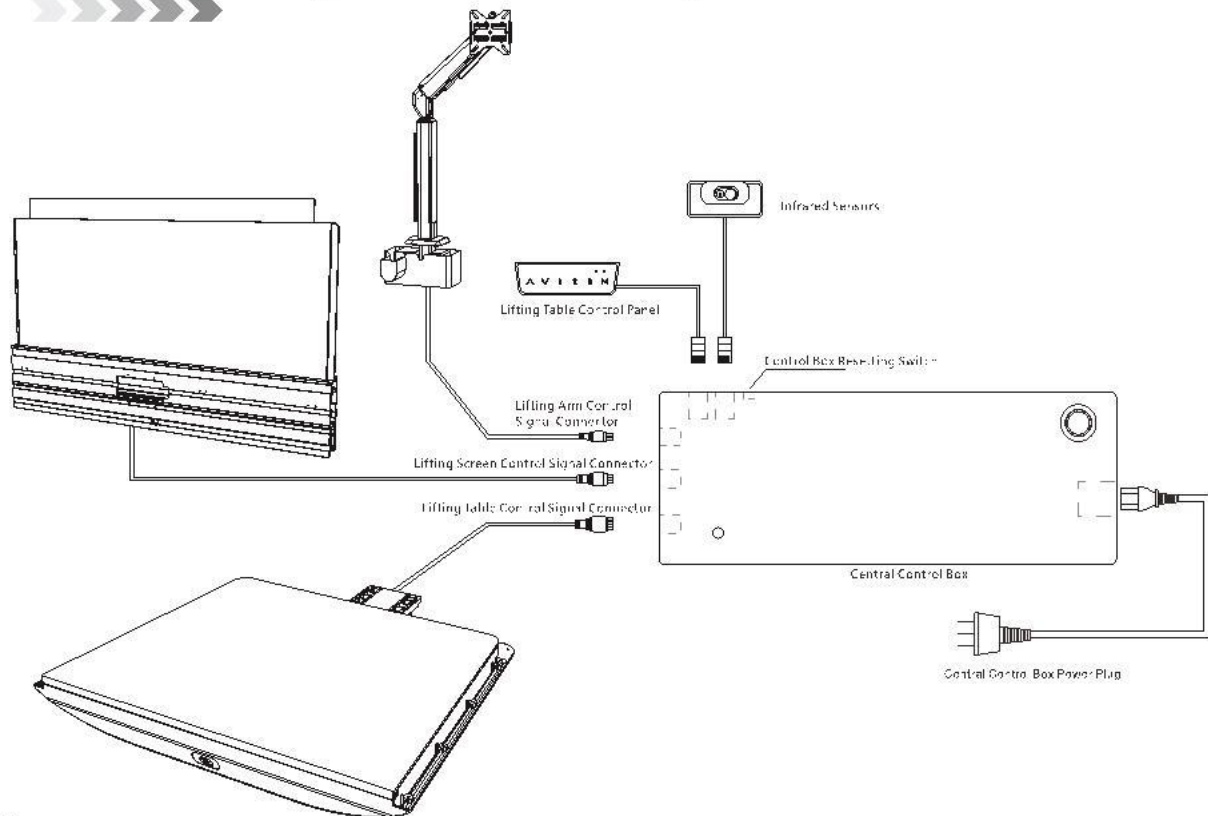


- ⚠ Upper Lift Screen (marked by red frame), do not load or heavy load.



- ⚠ For Upper lifting table (marked by the red frame), the static load capacity is 35KG, and the load capacity is <10KG when using.
- When using Upper lifting table, it is recommended to use the lifting and lowering for 5 minutes, then stop the lifting operation for 5 minutes before use to protect the normal operation of the motor; and when the load exceeds its ultimate load, the motor will automatically turn off the power protection function.

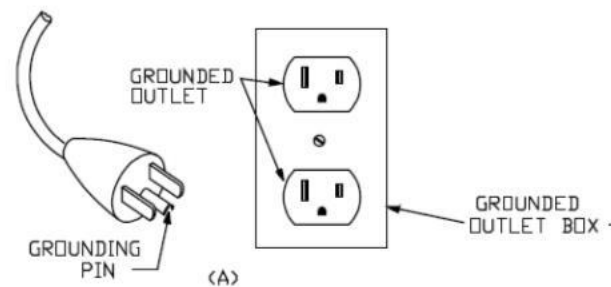
UPPER Control System Connection Diagram



GROUNDING INSTRUCTIONS

For a grounded, cord-connected product rated max 15 amperes and intended for use on a nominal 120-volt supply circuit:

This product is for use on a nominal 120-volt circuit and has a grounding plug that looks like the plug illustrated in sketch A. Make sure that the product is connected to an outlet having the same configuration as the plug. No adapter should be used with this product.



User maintenance instructions

1. Caution : When cleaning or maintenance the table, unplug the table from the receptacle.
2. The table has no user serviceable parts, please do not maintenance any electrical part. When the table can not normal operated, returned the appliance to an authorized service facility for examination and /or repair."
3. Do not run cord under carpeting. Do not cover cord with throw rugs, runners, or similar coverings. Do not route cord under furniture or appliances.
4. When the table is not in use, remove the supply cord from the table. Storage the cord and total table in a dry location and a location where children can not touched.

COMFORT SMART APP USER GUIDE

1 APP SETTING

 APP DOWNLOAD  LOGIN

2 USE & ADJUSTMENT

 CREATE PROFILE  CONNECT

3 UBIQUITOUS HEALTHCARE

 FUNCTIONS OF THE HOME PAGE

 STANDING WORKING WARNING

 WORKING MODES EVALUATION

 WORKING MODES STATISTICS

 SETTING FOR UPPER TABLE

4 FACILITIES MAINTENANCE

 SOFTWARE SETTING  FAQ

1 APP SETTING  DOWNLOAD

Search "Comfort Smart" and download from Apple store or Android platform



 In order to achieve APP smart functions, please set your smart phone authority management.

APPLE: Setting -> Notice -> Comfort Smart -> Allow notice

ANDROID: Setting -> Application Management -> Comfort Smart -> Notice -> Turn on lock screen display

1 APP SETTING  LOGIN

2 WAYS TO LOGIN





1 CREATE ACCOUNT

Click "Create Account" to register account by mailbox to get verification code and set password.

2 LOG IN VIA THIRD-PARTY

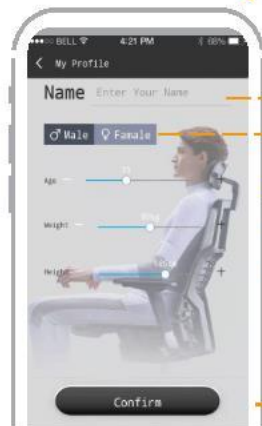
"Comfort Smart" APP can log in via wechat, facebook or linkedin. Confirm authority of the third-party to complete quick login, then turn to "My Profile" directly.



2 USE&ADJUSTMENT CREATE PROFILE

After logging in, you will access to "CREATE PROFILE" to enter your personal information as per request in order to get scientific & proper suggestion through smart healthy monitoring warning.

After logging in



CREATE PROFILE

Enter your profile

Name

Gender

Age

Weight

Height

Then click

Confirm

2 USE&ADJUSTMENT CONNECT

1ST CONNECT

1. APP Connecting with UPPER:

Press and hold the "Connect" Button under the desk for five seconds. When the indicator light flashes rapidly, turn on the phone settings to find and connect the WiFi hotspots sent by UPPER. The default name of the UPPER hotspot is "BDisk+wifi-D No." and the password is "12345678".



1. Click "Settings"



2. Click Mobile Internet



3. Click "WLAN"

4. Choose & Connects the WiFi network (Default network) successfully, if not, you can connect it manually.

2. UPPER network configuration:

After successfully connecting to the bases, open "Comfort Smart" app, click the "i" button in the upper right corner of the interface, enter the product serial and select the "UPPER" can (as shown in Picture 1).



Picture 1

After selecting "UPPER", it will enter the "Nearby Networked Device" interface (since the desk is not connected, there is no device list, on this interface, as shown in Picture 2), click "New Desk" on the top right of the page, select the available wireless in the WIFI list that appears, Network and enter the WIFI password for network linking. After the linking is successful, the reminder of "connected successfully" will pop up and return to the homepage of "Comfort Smart".



Picture 2

1ST USE

When 1st time for use, you can find the new connected desk by going to "Nearby Networked Devices". Or you can connect by scanning the QR code by clicking the desk icon you want to connect.



1st way for Connecting:
Click the desk icon which you want to connect

2nd way for Connecting:
Connecting by scanning QR code

3HEALTHCARE Functions of Home Page



- 1 Device Connecting Status
- 2 Highly real-time monitoring
Make the posture data to a qualitative weight of working table
- 3 Memory Height Positions
Three main height positions can be set to the summer of the app and button in place.
- 4 Functions Setting Reminder
Get the push messages from standing working, work mode evaluation, work mode statistics, and ergonomic settings to light memory position.

3HEALTHCARE Standing Work Warning



Turn on the "Standing Work Warning" function, and the "Duration time of Sitting Cycle" setting will pop up. After the sedentary reaches the set time, "Comfort Smart" will remind the user to choose the standing work posture.

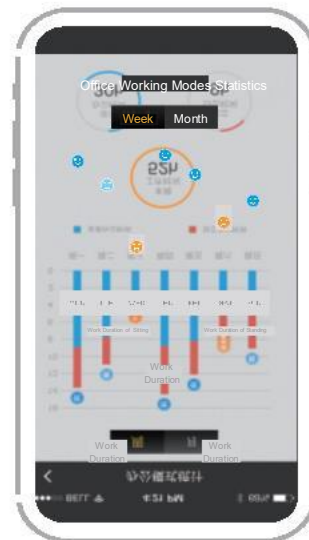
3HEALTHCARE Working Mode Evaluation



APP will analyze **your data of your data of Work Mode**, and send evaluation messages to your phone.

3HEALTHCARE Work Mode Statistics

The APP backstage records the daily sitting time of the user, and generates **daily, weekly, and monthly** health statistics reports, which can be checked in the "work mode statistics".



3 HEALTHCARE

UPPER TABLE SETTINGS

- Click "UPPER TABLE SETTING" to access "Height Memory Position" (shown as picture 1).
- Press ▲ ▼ to adjust the table height as desired. If there is a foreign object in the falling area, the APP will pop up a "warning reminder" (shown as picture 2).
- Click "OK" (turn on the save function of height positions), then click the 1, 2 or 3 to save three height memory positions you need.

Note: Long press the memory positions to modify the name, for example: relaxation height, awake height, concentration height



Picture 1

Picture 2

4 MAINTENANCE

APP SETTINGS



Enter the APP settings interface through the "Comfort Smart" APP homepage

- My Profile:** Review & revise personal information
- Change e-mail address:** Change "Comfort Smart" APP Account
- Language:** Chinese, English, Japanese, Spanish, Korean
- Ringer:** Turn on the Ringer and Vibration to get the sitting posture status in time, never miss any healthy reminders
- Change password:** Change password for logging in

Caution: The user is cautioned that changes or modifications not expressly approved by the party responsible for compliance could void the user's authority to operate the equipment.

This device complies with Part 15 of the FCC Rules and Industry Canada licence-exempt RSS standard(s). Operation is subject to the following two conditions: (1) this device may not cause harmful interference, and (2) this device must accept any interference received, including interference that may cause undesired operation.

Le présent appareil est conforme aux CNR d'Industrie Canada applicables aux appareils radio exempts de licence. L'exploitation est autorisée aux deux conditions suivantes :

- (1) l'appareil ne doit pas produire de brouillage, et
- (2) l'utilisateur de l'appareil doit accepter tout brouillage radioélectrique subi, même si le brouillage est susceptible d'en compromettre le fonctionnement.

NOTE: This equipment has been tested and found to comply with the limits for a Class B digital device, pursuant to Part 15 of the FCC Rules. These limits are designed to provide reasonable protection against harmful interference in a residential installation. This equipment generates, uses and can radiate radio frequency energy and, if not installed and used in accordance with the instructions, may cause harmful interference to radio communications. However, there is no guarantee that interference will not occur in a particular installation.

If this equipment does cause harmful interference to radio or television reception, which can be determined by turning the equipment off and on, the user is encouraged to try to correct the interference by one or more of the following measures:

- Reorient or relocate the receiving antenna.
- Increase the separation between the equipment and receiver.
- Connect the equipment into an outlet on a circuit different from that to which the receiver is connected.
- Consult the dealer or an experienced radio/TV technician for help.

FCC& IC Radiation Exposure Statement:

This equipment complies with FCC and Canada radiation exposure limits set forth for an uncontrolled environment. This equipment should be installed and operated with a minimum distance of 20cm between the radiator and your body.

This transmitter must not be co-located or operating in conjunction with any other antenna or transmitter.

Déclaration d'IC sur l'exposition aux radiations:

Cet équipement est conforme aux limites d'exposition aux radiations définies par le Canada pour des environnements non contrôlés. Cet équipement doit être installé et utilisé à une distance minimum de 20 cm entre l'antenne et votre corps.

Cet émetteur ne doit pas être installé au même endroit ni utilisé avec une autre antenne ou un autre émetteur.