

## 6 Safety Human Exposure

### 6.1 Radio Frequency Exposure Compliance

#### 6.1.1 Electromagnetic Fields

RESULT:

Pass

##### Test Specification

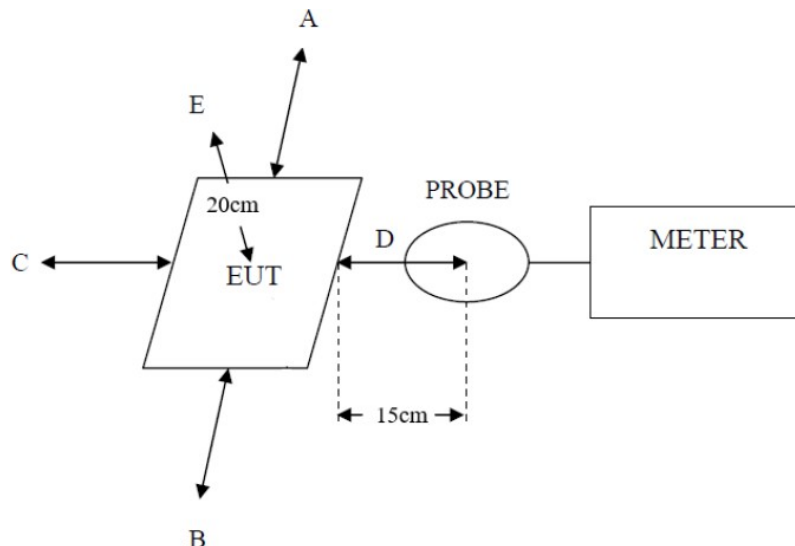
Test standard : CFR47 FCC Part 2: Subpart J Section 1.1310  
 FCC CFR 47 Part 1(1.1310) KDB 680106 D01 v03

According to the table 1 of FCC Part 2.1310, the reference limit as below:

| Frequency range (MHz)  | Electric field strength (V/m) | Magnetic field strength (A/m) | Power density (mW/cm <sup>2</sup> ) | Averaging time (minutes) |
|--|-------------------------------|-------------------------------|-------------------------------------|--------------------------|
| <b>(A) Limits for Occupational/Controlled Exposure</b>         |                               |                               |                                     |                          |
| 0.3-3.0  | 614                           | 1.63                          | *100                                | 6                        |
| 3.0-30   | 1842/f                        | 4.89/f                        | *900/f <sup>2</sup>                 | 6                        |
| 30-300   | 61.4                          | 0.163                         | 1.0                                 | 6                        |
| 300-1,500  |                               |                               | f/300                               | 6                        |
| 1,500-100,000  |                               |                               | 5                                   | 6                        |
| <b>(B) Limits for General Population/Uncontrolled Exposure</b> |                               |                               |                                     |                          |
| 0.3-1.34   | 614                           | 1.63                          | *100                                | 30                       |
| 1.34-30  | 824/f                         | 2.19/f                        | *180/f <sup>2</sup>                 | 30                       |
| 30-300   | 27.5                          | 0.073                         | 0.2                                 | 30                       |
| 300-1,500  |                               |                               | f/1500                              | 30                       |
| 1,500-100,000  |                               |                               | 1.0                                 | 30                       |

f = frequency in MHz \* = Plane-wave equivalent power density

Test Setup:



**Prüfbericht - Nr.: CN22TAVM 001**  
Test report no.

Seite 29 von 30  
Page 29 of 30

**Test Result:**

Table: H-Field Strength at 15 cm from the edges surrounding the EUT and 20cm from the top surface of the EUT

| EUT Test Mode                       | Measured H-Field Strength Values (A/m) |                 |                 |                 |                 | 50% Limit (A/m) | Limit (A/m) | Result |
|-------------------------------------|--|-----------------|-----------------|-----------------|-----------------|-----------------|-------------|--------|
|                                     | Test Position A                        | Test Position B | Test Position C | Test Position D | Test Position E |                 |             |        |
| Device working at the maximum power | 0.1952                                 | 0.2296          | 0.1912          | 0.1936          | 0.2064          | 0.815           | 1.63        | Pass   |