

FCC RADIO TEST REPORT

FCC ID:2AZBU-SM50TX

Product: Baby Monitor
Trade Name: N/A
Model Name: SM50TX
Serial Model: SM950TX, SM51TX
Report No.: UNIA21012810ER-02

Prepared for

Shenzhen Mingchuangzhilian Technology Co., Ltd
4/F, B Block, No.3, East Region, Shangxue Science Park, Bantian St,
Longgang Dist, Shenzhen, China

Prepared by

Shenzhen United Testing Technology Co., Ltd.
2F, Annex Bldg, Jiahuangyuan Tech Park, #365 Baotian 1 Rd, Tiegang
Community, Xixiang Str, Bao'an District, Shenzhen, China

TEST RESULT CERTIFICATION

Applicant's name.....: Shenzhen Mingchuangzhilian Technology Co., Ltd
Address.....: 4/F, B Block, No.3, East Region, Shangxue Science Park, Bantian St, Longgang Dist, Shenzhen, China
Manufacture's Name.....: Shenzhen Mingchuangzhilian Technology Co., Ltd
Address.....: 4/F, B Block, No.3, East Region, Shangxue Science Park, Bantian St, Longgang Dist, Shenzhen, China

Product description

Product name.....: Baby Monitor
Trade Mark.....: N/A
Model and/or type reference : SM50TX, SM950TX, SM51TX

Standards.....: FCC Rules and Regulations Part 15 Subpart C Section 15.249,
ANSI C63.10: 2013

This device described above has been tested by Shenzhen United Testing Technology Co., Ltd., and the test results show that the equipment under test (EUT) is in compliance with the FCC requirements. And it is applicable only to the tested sample identified in the report.

This report shall not be reproduced except in full, without the written approval of UNI, this document may be altered or revised by Shenzhen United Testing Technology Co., Ltd., personnel only, and shall be noted in the revision of the document.

Date (s) of performance of tests.....: Jan. 28, 2021 ~ Mar. 13, 2021
Date of Issue.....: Mar. 23, 2021
Test Result.....: Pass

Prepared by:

Bob Liao

Bob Liao/Editor

Kahn Yang

Reviewer:

Kahn yang/Supervisor

Approved & Authorized Signer:

Liuze

Liuze/Manager

| Table of Contents | Page |
|--|------|
| 1 . TEST SUMMARY | 4 |
| 2 . GENERAL INFORMATION | 5 |
| 2.1 GENERAL DESCRIPTION OF EUT | 5 |
| 2.2 Carrier Frequency of Channels | 6 |
| 2.3 Operation of EUT during testing | 6 |
| 2.4 DESCRIPTION OF TEST SETUP | 6 |
| 2.5 MEASUREMENT INSTRUMENTS LIST | 7 |
| 3 . CONDUCTED EMISSIONS TEST | 8 |
| 3.1 Conducted Power Line Emission Limit | 8 |
| 3.2 Test Setup | 8 |
| 3.3 Test Procedure | 8 |
| 3.4 Test Result | 8 |
| 4 RADIATED EMISSION TEST | 11 |
| 4.1 Radiation Limit | 11 |
| 4.2 Test Setup | 11 |
| 4.3 Test Procedure | 12 |
| 4.4 Test Result | 13 |
| 5 BAND EDGE | 18 |
| 5.1 Limits | 18 |
| 5.2 Test Procedure | 18 |
| 5.3 Test Result | 18 |
| 6 20dB Bandwidth | 20 |
| 6.1 Test Setup | 20 |
| 6.2 Test Procedure | 20 |
| 6.3 Measurement Equipment Used | 20 |
| 6.4 Test Result | 20 |
| 7 ANTENNA REQUIREMENT | 22 |
| 8 PHOTOGRAPH OF TEST | 23 |
| 8.1 Radiated Emission | 23 |
| 8.2 Conducted Emission | 24 |

1. TEST SUMMARY

TEST PROCEDURES AND RESULTS

| DESCRIPTION OF TEST | RESULT | STANGARD |
|--------------------------|-----------|------------------------|
| CONDUCTED EMISSIONS TEST | COMPLIANT | FCC Part 15.207 |
| RADIATED EMISSION TEST | COMPLIANT | FCC Part 15.209/15.249 |
| BAND EDGE | COMPLIANT | FCC Part 15.249(d) |
| 20dB Bandwidth | COMPLIANT | FCC Part 15.215 |
| ANTENNA REQUIREMENT | COMPLIANT | FCC Part 15.203 |

TEST FACILITY

Test Firm : Shenzhen United Testing Technology Co., Ltd.
 Address : 2F, Annex Bldg, Jiahuangyuan Tech Park, #365 Baotian 1 Rd, Tiegang Community, Xixiang Str, Bao'an District, Shenzhen, China

The testing quality ability of our laboratory meet with "Quality Law of People's Republic of China" Clause 19.The testing quality system of our laboratory meets with ISO/IEC-17025 requirements. This approval result is accepted by MRA of APLAC.

Our test facility is recognized, certified, or accredited by the following organizations:

A2LA Certificate Number: 4747.01

The EMC Laboratory has been accredited by A2LA, and in compliance with ISO/IEC 17025:2017 General Requirements for testing Laboratories.

FCC Registration Number: 674885

The EMC Laboratory has been registered and fully described in a report filed with the (FCC) Federal Communications commission.

IC Registration Number: 21947

The EMC Laboratory has been registered and fully described in a report filed with the (IC) Industry Canada.

MEASUREMENT UNCERTAINTY

| Measurement Uncertainty | |
|---|---------------|
| Conducted Emission Expanded Uncertainty | = 2.23dB, k=2 |
| Radiated emission expanded uncertainty(9kHz-30MHz) | = 3.08dB, k=2 |
| Radiated emission expanded uncertainty(30MHz-1000MHz) | = 4.42dB, k=2 |
| Radiated emission expanded uncertainty(Above 1GHz) | = 4.06dB, k=2 |

2. GENERAL INFORMATION

2.1 GENERAL DESCRIPTION OF EUT

| | |
|--------------------|--|
| Equipment | Baby Monitor |
| Trade Mark | N/A |
| Model Name | SM50TX |
| Serial No. | SM950TX, SM51TX |
| Model Difference | All model' s the function, software and electric circuit are the same, only with a product color and model named different. Test sample model: SM50TX. |
| FCC ID | External antenna |
| Antenna Type | 2AZBU-SM50TX |
| Antenna Gain | 1dBi |
| Frequency Range | 2410.001~2477.001MHz |
| Number of Channels | 20CH |
| Modulation Type | GFSK |
| Battery | N/A |
| PowerSource | 100-240V 50/60Hz |

2.2 Carrier Frequency of Channels

| Channel List | | | | | | | |
|--------------|-----------------|---------|-----------------|---------|-----------------|---------|-----------------|
| Channel | Frequency (MHz) | Channel | Frequency (MHz) | Channel | Frequency (MHz) | Channel | Frequency (MHz) |
| 00 | 2410.001 | 05 | 2427.501 | 10 | 2445.001 | 15 | 2462.501 |
| 01 | 2413.501 | 06 | 2431.001 | 11 | 2448.501 | 16 | 2466.001 |
| 02 | 2417.001 | 07 | 2434.501 | 12 | 2452.001 | 17 | 2469.501 |
| 03 | 2420.501 | 08 | 2438.001 | 13 | 2455.501 | 18 | 2473.001 |
| 04 | 2424.001 | 09 | 2441.501 | 14 | 2459.001 | 19 | 2477.001 |

2.3 Operation of EUT during testing

Operating Mode

The mode is used: Transmitting mode

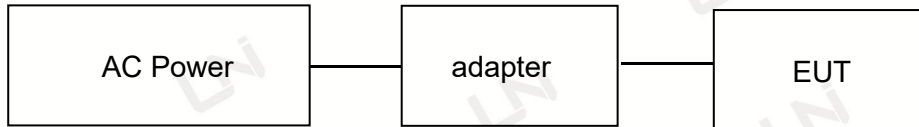
Low Channel: 2410.001MHz

Middle Channel: 2441.501MHz

High Channel: 2477.001MHz

2.4 DESCRIPTION OF TEST SETUP

Operation of EUT during Conducted testing:



Operation of EUT during Radiation testing:



Table for auxiliary equipment:

| Equipment Description | Manufacturer | Model | Calibration Due Date |
|-----------------------|--------------|-----------|----------------------|
| adapter | LISTED | 0500100UV | N/A |

2.5 MEASUREMENT INSTRUMENTS LIST

| Item | Equipment | Manufacturer | Model No. | Serial No. | Calibrated until |
|----------------------------------|----------------------------------|-------------------------|----------------|------------|------------------|
| Conduction Emissions Measurement | | | | | |
| 1 | Conducted Emission Test Software | EZ-EMC | Ver.CCS-3A1-CE | N/A | N/A |
| 2 | AMN | Schwarzbeck | NNLK8121 | 8121370 | 2021.10.15 |
| 3 | AMN | ETS | 3810/2 | 00020199 | 2021.10.15 |
| 4 | AAN | TESEQ | T8-Cat6 | 38888 | 2021.10.15 |
| 5 | Pulse Limiter | CYBRTEK | EM5010 | E115010056 | 2021.05.26 |
| 6 | EMI Test Receiver | Rohde&Schwarz | ESCI | 101210 | 2021.10.15 |
| Radiated Emissions Measurement | | | | | |
| 1 | Radiated Emission Test Software | EZ-EMC | Ver.CCS-03A1 | N/A | N/A |
| 2 | Horn Antenna | Sunol | DRH-118 | A101415 | 2021.10.18 |
| 3 | Broadband Hybrid Antenna | Sunol | JB1 | A090215 | 2021.11.15 |
| 4 | PREAMP | HP | 8449B | 3008A00160 | 2021.10.21 |
| 5 | PREAMP | HP | 8447D | 2944A07999 | 2021.05.26 |
| 6 | EMI Test Receiver | Rohde&Schwarz | ESR3 | 101891 | 2021.10.15 |
| 7 | MXA Signal Analyzer | Keysight | N9020A | MY51110104 | 2021.10.15 |
| 8 | Active Loop Antenna | Com-Power | AL-310R | 10160009 | 2021.05.28 |
| 9 | Horn Antenna | Schwarzbeck | BBHA9120D | 9120D-1680 | 2021.05.28 |
| 10 | Horn Antenna | A-INFOMW | LB-180400-KF | J211060660 | 2021.10.23 |
| 11 | Loop Antenna | Beijing daze Technology | ZN30401 | 13015 | 2021.10.15 |
| 12 | EM Clamp | Schwarzbeck | MDS21 | 03350 | 2021.10.20 |

3. CONDUCTED EMISSIONS TEST

3.1 Conducted Power Line Emission Limit

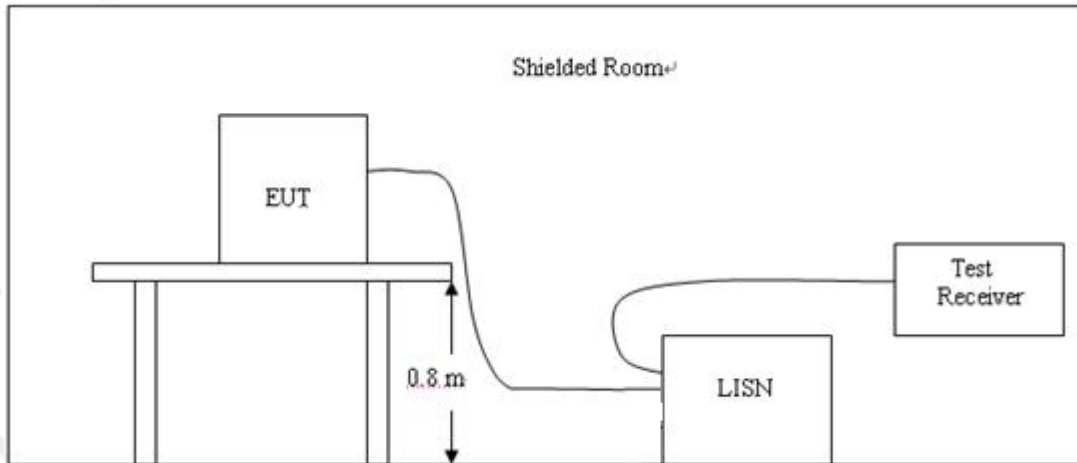
For unintentional device, according to § 15.107(a) Line Conducted Emission Limits is as following

| Frequency (MHz) | Maximum RF Line Voltage(dBμV) | | | |
|--------------------|-------------------------------|------|---------|--------|
| | CLASS A | | CLASS B | |
| | Q.P. | Ave. | Q.P. | Ave. |
| 0.15~0.50 | 79 | 66 | 66~56* | 56~46* |
| 0.50~5.00 | 73 | 60 | 56 | 46 |
| 5.00~30.0 | 73 | 60 | 60 | 50 |

* Decreasing linearly with the logarithm of the frequency

For intentional device, according to §15.207(a) Line Conducted Emission Limit is same as above table.

3.2 Test Setup



3.3 Test Procedure

- 1, The equipment was set up as per the test configuration to simulate typical actual usage per the user's manual. The EUT is a tabletop system, a wooden table with a height of 0.8 meters is used and is placed on the ground plane as per ANSI C63.10.
- 2, Support equipment, if needed, was placed as per ANSI C63.10.
- 3, All I/O cables were positioned to simulate typical actual usage as per ANSI C63.10.
- 4, If a EUT received DC power from the USB Port of Notebook PC, the PC's adapter received AC120V/60Hz power through a Line Impedance Stabilization Network (LISN) which supplied power source and was grounded to the ground plane.
- 5, All support equipments received AC power from a second LISN, if any.
- 6, The EUT test program was started. Emissions were measured on each current carrying line of the EUT using a spectrum Analyzer / Receiver connected to the LISN powering the EUT. The LISN has two monitoring points: Line 1 (Hot Side) and Line 2 (Neutral Side). Two scans were taken: one with Line 1 connected to Analyzer / Receiver and Line 2 connected to a 50 ohm load; the second scan had Line 1 connected to a 50 ohm load and Line 2 connected to the Analyzer / Receiver.
- 7, Analyzer / Receiver scanned from 150 KHz to 30MHz for emissions in each of the test modes.

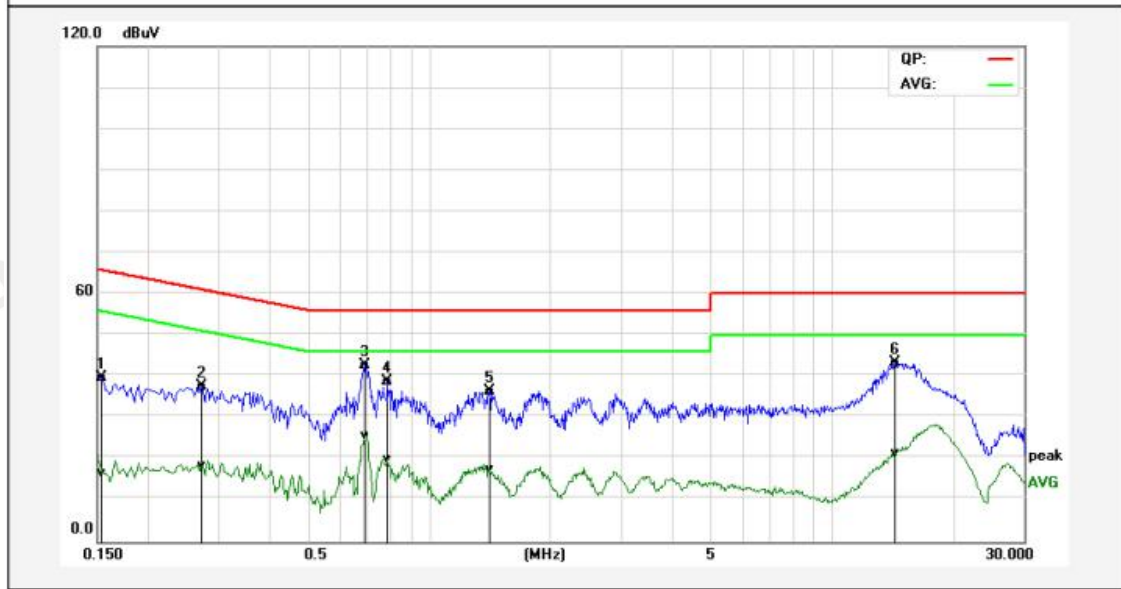
3.4 Test Result

Pass

Remark:

1. All modes were tested at AC 120V and 240V, only the worst result of AC 120V was reported.
2. All modes of Low, Middle, and High channel were tested, only the worst result of High Channel was reported as below:

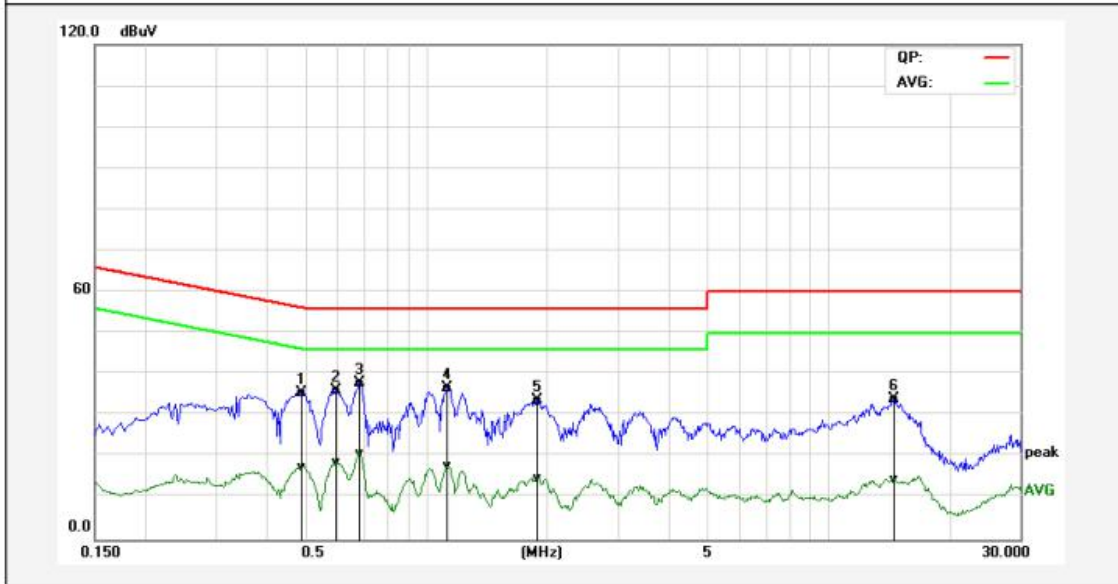
| | | | |
|---------------|---------------------------------------|--------------------|---------|
| Temperature: | 24°C | Relative Humidity: | 45% |
| Test Date: | Mar. 10, 2021 | Pressure: | 1010hPa |
| Test Voltage: | AC 120V, 60Hz | Phase: | Line |
| Test Mode: | Transmitting mode of GFSK 2477.001MHz | | |



| No. | Frequency (MHz) | QuasiPeak reading (dBuV) | Average reading (dBuV) | Correction factor (dB) | QuasiPeak result (dBuV) | Average result (dBuV) | QuasiPeak limit (dBuV) | Average limit (dBuV) | QuasiPeak margin (dB) | Average margin (dB) | Remark |
|-----|-----------------|--------------------------|------------------------|------------------------|-------------------------|-----------------------|------------------------|----------------------|-----------------------|---------------------|--------|
| 1P | 0.1539 | 30.18 | 7.11 | 9.65 | 39.83 | 16.76 | 65.78 | 55.79 | -25.95 | -39.03 | Pass |
| 2P | 0.2740 | 27.80 | 8.77 | 9.79 | 37.59 | 18.56 | 60.99 | 51.00 | -23.40 | -32.44 | Pass |
| 3* | 0.6900 | 32.95 | 15.85 | 9.81 | 42.76 | 25.66 | 56.00 | 46.00 | -13.24 | -20.34 | Pass |
| 4P | 0.7900 | 29.03 | 9.99 | 9.85 | 38.88 | 19.84 | 56.00 | 46.00 | -17.12 | -26.16 | Pass |
| 5P | 1.4140 | 26.46 | 7.71 | 9.92 | 36.38 | 17.63 | 56.00 | 46.00 | -19.62 | -28.37 | Pass |
| 6P | 14.2900 | 42.95 | 21.20 | 0.27 | 43.22 | 21.47 | 60.00 | 50.00 | -16.78 | -28.53 | Pass |

Remark: Factor = Insertion Loss + Cable Loss, Result=Reading + Factor, Margin=Result – Limit.

| | | | |
|---------------|---------------------------------------|--------------------|---------|
| Temperature: | 24°C | Relative Humidity: | 45% |
| Test Date: | Mar. 10, 2021 | Pressure: | 1010hPa |
| Test Voltage: | AC 120V, 60Hz | Phase: | Neutral |
| Test Mode: | Transmitting mode of GFSK 2477.001MHz | | |



| No. | Frequency (MHz) | QuasiPeak reading (dBuV) | Average reading (dBuV) | Correction factor (dB) | QuasiPeak result (dBuV) | Average result (dBuV) | QuasiPeak limit (dBuV) | Average limit (dBuV) | QuasiPeak margin (dB) | Average margin (dB) | Remark |
|-----|-----------------|--------------------------|------------------------|------------------------|-------------------------|-----------------------|------------------------|----------------------|-----------------------|---------------------|--------|
| 1P | 0.4900 | 25.85 | 7.85 | 9.79 | 35.64 | 17.64 | 56.17 | 46.17 | -20.53 | -28.53 | Pass |
| 2P | 0.5980 | 26.46 | 8.94 | 9.79 | 36.25 | 18.73 | 56.00 | 46.00 | -19.75 | -27.27 | Pass |
| 3* | 0.6860 | 28.27 | 10.94 | 9.81 | 38.08 | 20.75 | 56.00 | 46.00 | -17.92 | -25.25 | Pass |
| 4P | 1.1300 | 26.86 | 8.06 | 9.85 | 36.71 | 17.91 | 56.00 | 46.00 | -19.29 | -28.09 | Pass |
| 5P | 1.8900 | 23.97 | 5.05 | 9.88 | 33.85 | 14.93 | 56.00 | 46.00 | -22.15 | -31.07 | Pass |
| 6P | 14.5620 | 33.89 | 14.19 | 0.27 | 34.16 | 14.46 | 60.00 | 50.00 | -25.84 | -35.54 | Pass |

Remark: Factor = Insertion Loss + Cable Loss, Result=Reading + Factor, Margin=Result – Limit.

4 RADIATED EMISSION TEST

4.1 Radiation Limit

For unintentional device, according to § 15.109(a), except for Class A digital devices, the field strength of radiated emissions from unintentional radiators at a distance of 3 meters shall not exceed the following values:

Limit calculation and transfer to 3m distance as showed in the following table:

| Frequency (MHz) | Limit (dBuV/m) | Distance (m) |
|-----------------|--|--------------|
| 0.009-0.490 | $20\log(2400/F(\text{KHz})) + 40\log(300/3)$ | 3 |
| 0.490-1.705 | $20\log(24000/F(\text{KHz})) + 40\log(30/3)$ | 3 |
| 1.705-30.0 | 69.5 | 3 |
| 30-88 | 40.0 | 3 |
| 88-216 | 43.5 | 3 |
| 216-960 | 46.0 | 3 |
| Above 960 | 54.0 | 3 |

For intentional device, according to § 15.209(a), the general requirement of field strength of radiated emissions from intentional radiators at a distance of 3 meters shall not exceed the above table.

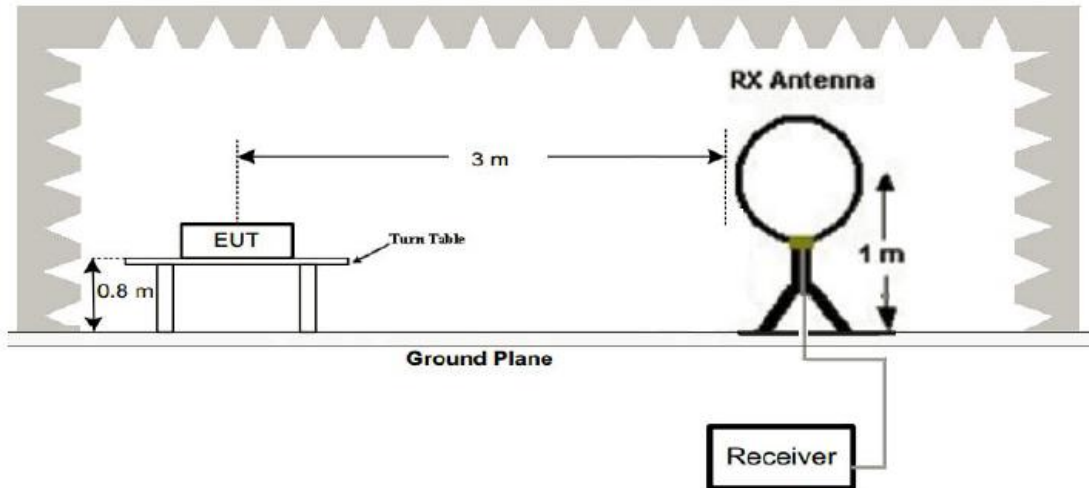
(a) Except as provided in paragraph (b) of this section, the field strength of emissions from intentional radiators operated within these frequency bands shall comply with the following:

| Fundamental frequency | Field strength of fundamental (millivolts/meter) | Field strength of harmonics (microvolts/meter) |
|-----------------------|--|--|
| 902-928 MHz | 50 | 500 |
| 2400-2483.5 MHz | 50 | 500 |
| 5725-5875 MHz | 50 | 500 |
| 24.0-24.25 GHz | 250 | 2500 |

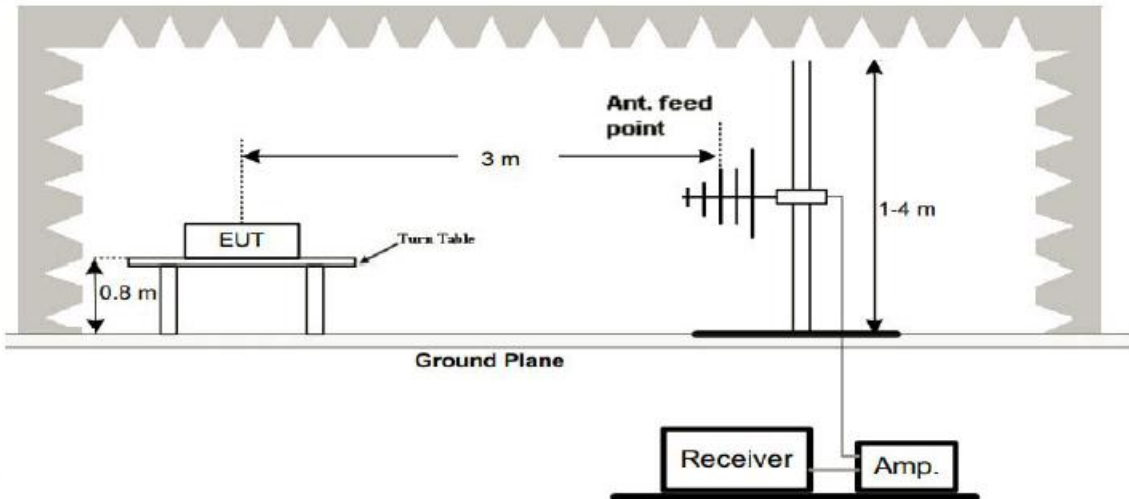
For intentionally used equipment, the general requirements for the magnetic field strength limits of the fundamental and harmonic radiation from the intentional radiator at a distance of 3 meters shall not exceed the above table, as specified in § 15.249(a).

4.2 Test Setup

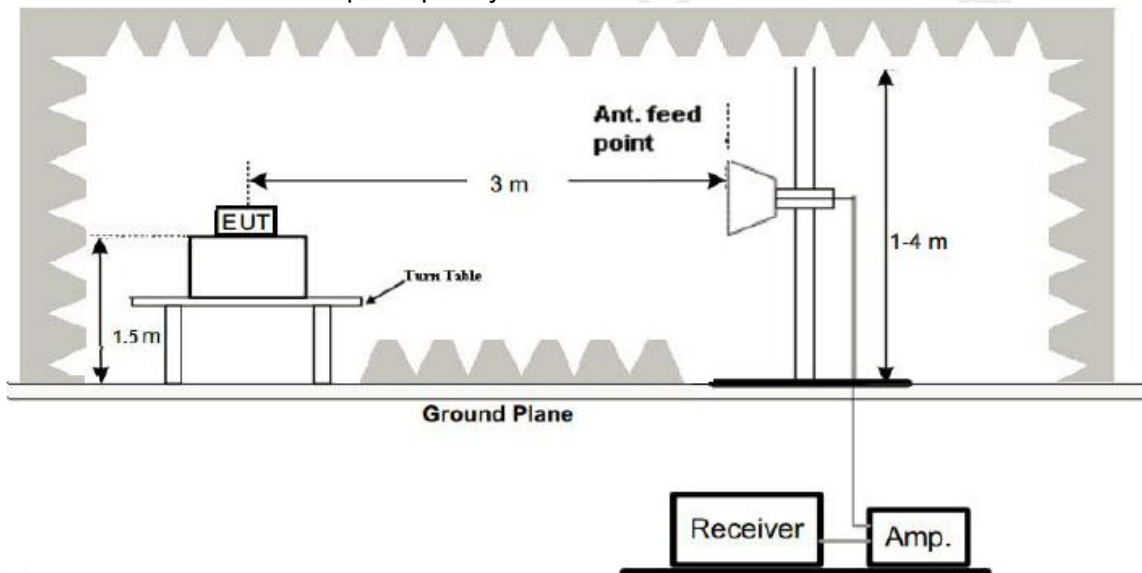
1. Radiated Emission Test-Up Frequency Below 30MHz



2. Radiated Emission Test-Up Frequency 30MHz~1GHz



3. Radiated Emission Test-Up Frequency Above 1GHz



4.3 Test Procedure

1. Below 1GHz measurement the EUT is placed on turntable which is 0.8m above ground plane. And above 1GHz measurement EUT was placed on low permittivity and low tangent turn table which is 1.5m above ground plane.
2. The turntable shall be rotated for 360 degrees to determine the position of maximum emission level.
3. EUT is set 3m away from the receiving antenna, which is varied from 1m to 4m to find out the highest emissions.
4. Maximum procedure was performed on the six highest emissions to ensure EUT compliance.
5. And also, each emission was to be maximized by changing the polarization of receiving antenna both horizontal and vertical.
6. Repeat above procedures until the measurements for all frequencies are complete.
7. The test frequency range from 9KHz to 25GHz per FCC PART 15.33(a).

Note:

For battery operated equipment, the equipment tests shall be performed using a new battery.

4.4 Test Result

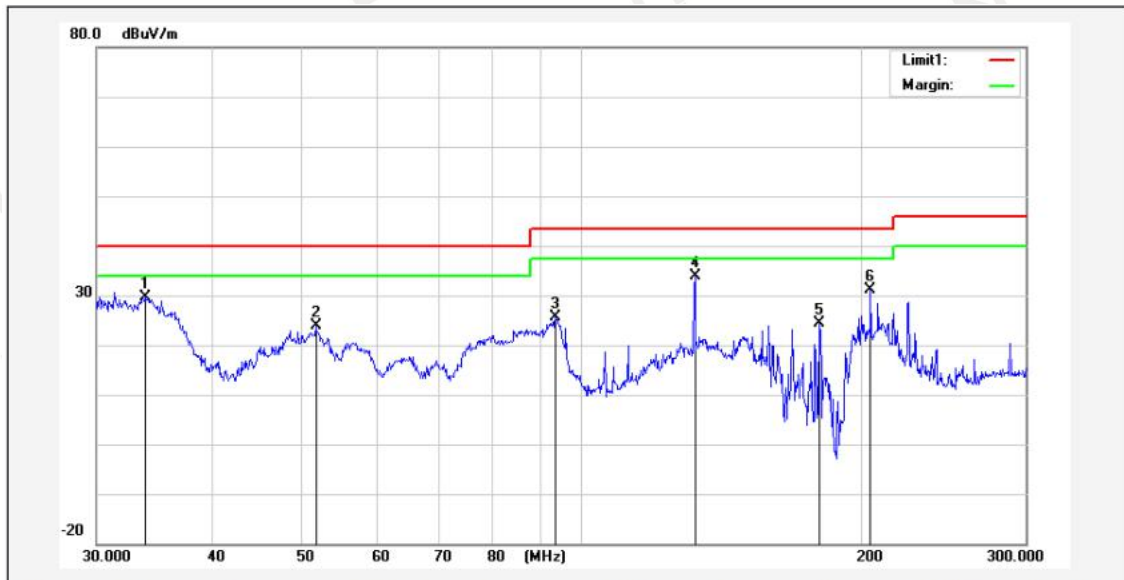
PASS

Remark:

1. All the test modes completed for test. The worst case of Radiated Emissionis High channel, the test data of this mode was reported.
2. By preliminary testing and verifying three axis (X, Y and Z) position of EUT transmitted status, it was found that “Z axis” position was the worst, and test data recorded in this report.
3. Radiated emission test from 9KHz to 10th harmonic of fundamental was verified, and no emission found except system noise floor in 9KHz to 30MHz and not recorded in this report.

Below 1GHz Test Results:

| | | | |
|---------------|---------------------------------------|--------------------|------------|
| Temperature: | 24°C | Relative Humidity: | 45% |
| Test Date: | Mar. 10, 2021 | Pressure: | 1010hPa |
| Test Voltage: | AC 120V, 60Hz | Polarization: | Horizontal |
| Test Mode: | Transmitting mode of GFSK 2477.001MHz | | |



| No. | Frequency (MHz) | Reading (dBuV) | Correction factor(dB/m) | Result (dBuV/m) | Limit (dBuV/m) | Margin (dB) | Degree (deg.) | Height (cm) | Remark |
|-----|-----------------|----------------|-------------------------|-----------------|----------------|-------------|---------------|-------------|--------|
| 1 | 33.8940 | 39.81 | -10.20 | 29.61 | 40.00 | -10.39 | 240 | 100 | peak |
| 2 | 51.6561 | 44.76 | -20.79 | 23.97 | 40.00 | -16.03 | 210 | 100 | peak |
| 3 | 93.5666 | 46.16 | -20.49 | 25.67 | 43.50 | -17.83 | 180 | 100 | peak |
| 4* | 132.1665 | 50.17 | -16.34 | 33.83 | 43.50 | -9.67 | 120 | 100 | peak |
| 5 | 179.9372 | 42.77 | -18.33 | 24.44 | 43.50 | -19.06 | 60 | 100 | peak |
| 6 | 204.2307 | 48.53 | -17.32 | 31.21 | 43.50 | -12.29 | 180 | 100 | peak |

Remark: Absolute Level= Reading Level+ Factor, Margin= Absolute Level – Limit
 Factor=Ant. Factor + Cable Loss – Pre-amplifier

| | | | |
|---------------|---------------------------------------|--------------------|----------|
| Temperature: | 24°C | Relative Humidity: | 45% |
| Test Date: | Mar. 10, 2021 | Pressure: | 1010hPa |
| Test Voltage: | AC 120V, 60Hz | Polarization: | Vertical |
| Test Mode: | Transmitting mode of GFSK 2477.001MHz | | |



| No. | Frequency (MHz) | Reading (dBuV) | Correction factor(dB/m) | Result (dBuV/m) | Limit (dBuV/m) | Margin (dB) | Degree (deg.) | Height (cm) | Remark |
|-----|-----------------|----------------|-------------------------|-----------------|----------------|-------------|---------------|-------------|--------|
| 1 | 34.0503 | 39.93 | -10.32 | 29.61 | 40.00 | -10.39 | 120 | 100 | peak |
| 2 | 51.7751 | 43.19 | -20.81 | 22.38 | 40.00 | -17.62 | 150 | 100 | peak |
| 3 | 93.9986 | 44.61 | -20.39 | 24.22 | 43.50 | -19.28 | 180 | 100 | peak |
| 4* | 132.1665 | 49.82 | -16.34 | 33.48 | 43.50 | -10.02 | 210 | 100 | peak |
| 5 | 179.9373 | 41.99 | -18.33 | 23.66 | 43.50 | -19.84 | 30 | 100 | peak |
| 6 | 204.2308 | 46.07 | -17.32 | 28.75 | 43.50 | -14.75 | 150 | 100 | peak |

Remark: Absolute Level= Reading Level+ Factor, Margin= Absolute Level – Limit
 Factor=Ant. Factor + Cable Loss – Pre-amplifier

Remark:

- (1) Measuring frequencies from 9 KHz to the 1 GHz, Radiated emission test from 9KHz to 30MHz was verified, and no any emission was found except system noise floor.
- (2) * denotes emission frequency which appearing within the Restricted Bands specified in provision of 15.205, then the general radiated emission limits in 15.209 apply.
- (3) The IF bandwidth of EMI Test Receiver between 30MHz to 1GHz was 120KHz, 1 MHz for measuring above 1 GHz, below 30MHz was 10KHz.

Above 1 GHz Test Results:
CH Low (2410.001MHz)

Horizontal:

| Frequency (MHz) | Reading Result (dBμV) | Factor (dB) | Emission Level (dBμV/m) | Limits (dBμV/m) | Margin (dB) | Detector Type |
|--------------------|--------------------------|----------------|----------------------------|--------------------|----------------|------------------|
| 2410.001 | 108.03 | -5.84 | 102.19 | 114 | -11.81 | PK |
| 2410.001 | 81.36 | -5.84 | 75.52 | 94 | -18.48 | AV |
| 4820.002 | 61.65 | -3.64 | 58.01 | 74 | -15.99 | PK |
| 4820.002 | 50.29 | -3.64 | 46.65 | 54 | -7.35 | AV |
| 7230.003 | 58.06 | -0.95 | 57.11 | 74 | -16.89 | PK |
| 7230.003 | 46.62 | -0.95 | 45.67 | 54 | -8.33 | AV |

Remark: Factor = Antenna Factor + Cable Loss – Pre-amplifier. Margin= Absolute Level – Limit

Vertical:

| Frequency (MHz) | Reading Result (dBμV) | Factor (dB) | Emission Level (dBμV/m) | Limits (dBμV/m) | Margin (dB) | Detector Type |
|--------------------|--------------------------|----------------|----------------------------|--------------------|----------------|------------------|
| 2410.001 | 107.62 | -5.84 | 101.78 | 114 | -12.22 | PK |
| 2410.001 | 80.65 | -5.84 | 74.81 | 94 | -19.19 | AV |
| 4820.002 | 62.39 | -3.64 | 58.75 | 74 | -15.25 | PK |
| 4820.002 | 50.36 | -3.64 | 46.72 | 54 | -7.28 | AV |
| 7230.003 | 58.69 | -0.95 | 57.74 | 74 | -16.26 | PK |
| 7230.003 | 46.56 | -0.95 | 45.61 | 54 | -8.39 | AV |

Remark: Factor = Antenna Factor + Cable Loss – Pre-amplifier. Margin= Absolute Level – Limit

CH Middle (2441.501MHz)

Horizontal:

| Frequency (MHz) | Reading Result (dBμV) | Factor (dB) | Emission Level (dBμV/m) | Limits (dBμV/m) | Margin (dB) | Detector Type |
|--------------------|--------------------------|----------------|----------------------------|--------------------|----------------|------------------|
| 2441.501 | 109.36 | -5.71 | 103.65 | 114 | -10.35 | PK |
| 2441.501 | 81.68 | -5.71 | 75.97 | 94 | -18.03 | AV |
| 4883.002 | 60.87 | -3.51 | 57.36 | 74 | -16.64 | PK |
| 4883.002 | 49.68 | -3.51 | 46.17 | 54 | -7.83 | AV |
| 7324.503 | 55.86 | -0.82 | 55.04 | 74 | -18.96 | PK |
| 7324.503 | 46.87 | -0.82 | 46.05 | 54 | -7.95 | AV |

Remark: Factor = Antenna Factor + Cable Loss – Pre-amplifier. Margin = Absolute Level – Limit

Vertical:

| Frequency (MHz) | Reading Result (dBμV) | Factor (dB) | Emission Level (dBμV/m) | Limits (dBμV/m) | Margin (dB) | Detector Type |
|--------------------|--------------------------|----------------|----------------------------|--------------------|----------------|------------------|
| 2441.501 | 109.26 | -5.71 | 103.55 | 114 | -10.45 | PK |
| 2441.501 | 80.39 | -5.71 | 74.68 | 94 | -19.32 | AV |
| 4883.002 | 60.37 | -3.51 | 56.86 | 74 | -17.14 | PK |
| 4883.002 | 48.26 | -3.51 | 44.75 | 54 | -9.25 | AV |
| 7324.503 | 56.87 | -0.82 | 56.05 | 74 | -17.95 | PK |
| 7324.503 | 46.85 | -0.82 | 46.03 | 54 | -7.97 | AV |

Remark: Factor = Antenna Factor + Cable Loss – Pre-amplifier. Margin= Absolute Level – Limit

CH High (2477.001MHz)

Horizontal:

| Frequency (MHz) | Reading Result (dBμV) | Factor (dB) | Emission Level (dBμV/m) | Limits (dBμV/m) | Margin (dB) | Detector Type |
|--------------------|--------------------------|----------------|----------------------------|--------------------|----------------|------------------|
| 2477.001 | 110.95 | -5.65 | 105.30 | 114 | -8.70 | PK |
| 2477.001 | 81.86 | -5.65 | 76.21 | 94 | -17.79 | AV |
| 4954.002 | 60.69 | -3.43 | 57.26 | 74 | -16.74 | PK |
| 4954.002 | 50.67 | -3.43 | 47.24 | 54 | -6.76 | AV |
| 7431.003 | 54.69 | -0.75 | 53.94 | 74 | -20.06 | PK |
| 7431.003 | 47.68 | -0.75 | 46.93 | 54 | -7.07 | AV |

Remark: Factor = Antenna Factor + Cable Loss – Pre-amplifier. Margin= Absolute Level – Limit

Vertical:

| Frequency (MHz) | Reading Result (dBμV) | Factor (dB) | Emission Level (dBμV/m) | Limits (dBμV/m) | Margin (dB) | Detector Type |
|--------------------|--------------------------|----------------|----------------------------|--------------------|----------------|------------------|
| 2477.001 | 110.34 | -5.65 | 104.69 | 114 | -9.31 | PK |
| 2477.001 | 52.01 | -5.65 | 46.36 | 94 | -47.64 | AV |
| 4954.002 | 61.68 | -3.43 | 58.25 | 74 | -15.75 | PK |
| 4954.002 | 50.59 | -3.43 | 47.16 | 54 | -6.84 | AV |
| 7431.003 | 57.03 | -0.75 | 56.28 | 74 | -17.72 | PK |
| 7431.003 | 47.06 | -0.75 | 46.31 | 54 | -7.69 | AV |

Remark: Factor = Antenna Factor + Cable Loss – Pre-amplifier. Margin= Absolute Level – Limit

Remark:

- (1) Measuring frequencies from 1 GHz to the 25 GHz.
- (2) "F" denotes fundamental frequency; "H" denotes spurious frequency. "E" denotes band edge frequency.
- (3) * denotes emission frequency which appearing within the Restricted Bands specified in provision of 15.205, then the general radiated emission limits in 15.209 apply.
- (4) Data of measurement within this frequency range ,that the value more than 20dB below limit is not record in the form.
- (5) The IF bandwidth of EMI Test Receiver between 30MHz to 1GHz was 120KHz, 1 MHz for measuring above 1 GHz, below 30MHz was 10KHz. The resolution bandwidth of test receiver/spectrum analyzer is 1MHz and video bandwidth is 3MHz for peak measurement with peak detector at frequency above 1GHz. The resolution bandwidth of test receiver/spectrum analyzer is 1MHz and video bandwidth is 10Hz for Average measurement with peak detection at frequency above 1GHz.
- (6) When the test results of Peak Detected below the limits of Average Detected, the Average Detected is not need completed. For example: Top Channel at Fundamental 73.16dBuV/m(PK Value) <93.98(AV Limit), at harmonic 53.20 dBuV/m(PK Value) <54 dBuV/m(AV Limit), the Average Detected not need to completed.
- (7) All modes of operation were investigated and the worst-case emissions are reported.

5 BAND EDGE

5.1 Limits

FCC PART 15.249(d) Emissions radiated outside of the specified frequency bands, except for harmonics, shall be attenuated by at least 50 dB below the level of the fundamental or to the general radiated emission limits in §15.209, whichever is the lesser attenuation.

5.2 Test Procedure

The band edge compliance of RF radiated emission should be measured by following the guidance in ANSIC63.10 with respect to maximizing the emission by rotating the EUT, measuring the emission while the EUT is situated in three orthogonal planes (if appropriate), adjusting the measurement antenna height and polarization etc. Set RBW to 1MHz and VBM to 3MHz to measure the peak field strength and set RBW to 1MHz and VBW to 10Hz to measure the average radiated field strength. The conducted RF band edge was measured by using a spectrum analyzer. Set span wide enough to capture the highest in-band emission and the emission at the band edge. Set RBW to 1MHz and VBW to 3MHz, to measure the conducted peak band edge.

5.3 Test Result

PASS

Radiated Band Edge Test:

Operation Mode: TX CH Low (2410.001MHz)

Horizontal:

| Frequency (MHz) | Reading Result (dBμV) | Factor (dB) | Emission Level (dBμV/m) | Limits (dBμV/m) | Margin (dB) | Detector Type |
|--------------------|--------------------------|----------------|----------------------------|--------------------|----------------|---------------|
| 2310 | 54.96 | -5.81 | 49.15 | 74 | -24.85 | PK |
| 2310 | / | -5.81 | / | 54 | / | AV |
| 2390 | 55.85 | -5.84 | 50.01 | 74 | -23.99 | PK |
| 2390 | / | -5.84 | / | 54 | / | AV |
| 2400 | 56.35 | -5.84 | 50.51 | 74 | -23.49 | PK |
| 2400 | / | -5.84 | / | 54 | / | AV |

Remark: Factor = Antenna Factor + Cable Loss – Pre-amplifier.

Vertical:

| Frequency (MHz) | Reading Result (dBμV) | Factor (dB) | Emission Level (dBμV/m) | Limits (dBμV/m) | Margin (dB) | Detector Type |
|--------------------|--------------------------|----------------|----------------------------|--------------------|----------------|---------------|
| 2310 | 55.86 | -5.81 | 50.05 | 74 | -23.95 | PK |
| 2310 | / | -5.81 | / | 54 | / | AV |
| 2390 | 56.32 | -5.84 | 50.48 | 74 | -23.52 | PK |
| 2390 | / | -5.84 | / | 54 | / | AV |
| 2400 | 58.64 | -5.84 | 52.80 | 74 | -21.20 | PK |
| 2400 | / | -5.84 | / | 54 | / | AV |

Remark: Factor = Antenna Factor + Cable Loss – Pre-amplifier.

Operation Mode: TX CH High (2477.001MHz)

Horizontal:

| Frequency | Reading Result | Factor | Emission Level | Limits | Margin | Detector Type |
|-----------|----------------|--------|----------------|----------------|--------|---------------|
| (MHz) | (dB μ V) | (dB) | (dB μ V/m) | (dB μ V/m) | (dB) | |
| 2483.5 | 57.64 | -5.65 | 51.99 | 74 | -22.01 | PK |
| 2483.5 | / | -5.65 | / | 54 | / | AV |
| 2500 | 57.09 | -5.72 | 51.37 | 74 | -22.63 | PK |
| 2500 | / | -5.72 | / | 54 | / | AV |

Remark: Factor = Antenna Factor + Cable Loss – Pre-amplifier.

Vertical:

| Frequency | Reading Result | Factor | Emission Level | Limits | Margin | Detector Type |
|-----------|----------------|--------|----------------|----------------|--------|---------------|
| (MHz) | (dB μ V) | (dB) | (dB μ V/m) | (dB μ V/m) | (dB) | |
| 2483.5 | 57.26 | -5.65 | 51.61 | 74 | -22.39 | PK |
| 2483.5 | / | -5.65 | / | 54 | / | AV |
| 2500 | 57.63 | -5.72 | 51.91 | 74 | -22.09 | PK |
| 2500 | / | -5.72 | / | 54 | / | AV |

Remark: Factor = Antenna Factor + Cable Loss – Pre-amplifier.

6 OCCUPIED BANDWIDTH MEASUREMENT

6.1 Test Setup

Same as Radiated Emission Measurement

6.2 Test Procedure

1. The EUT was placed on a turn table which is 0.8m above ground plane.
2. Set EUT as normal operation.
3. Based on ANSI C63.10 section 6.9.2: RBW=1%-5%OBW. VBW=3RBW.
4. The useful radiated emission from the EUT was detected by the spectrum analyzer with peak detector.

6.3 Measurement Equipment Used

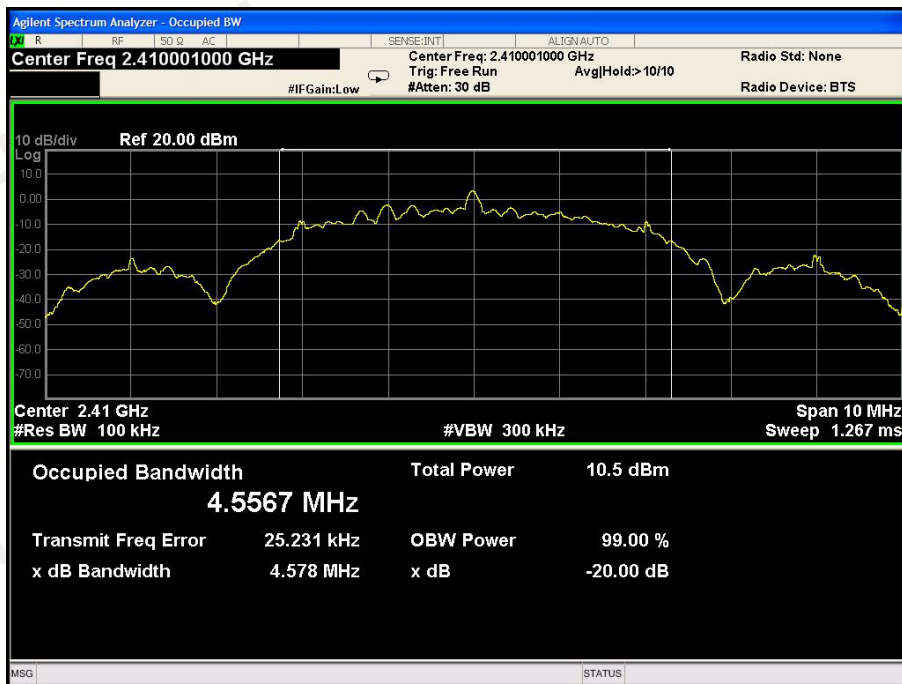
Same as Radiated Emission Measurement

6.4 Test Result

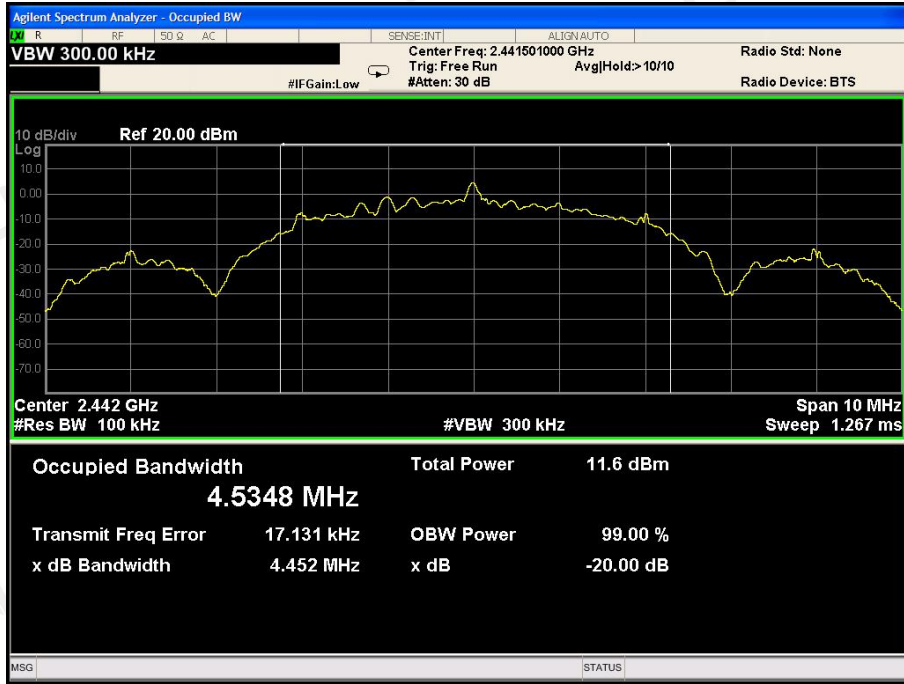
PASS

| Frequency (MHz) | 20dB Bandwidth (MHz) | Result |
|-----------------|----------------------|--------|
| 2410.001 | 4.578 | PASS |
| 2441.501 | 4.452 | PASS |
| 2477.001 | 4.528 | PASS |

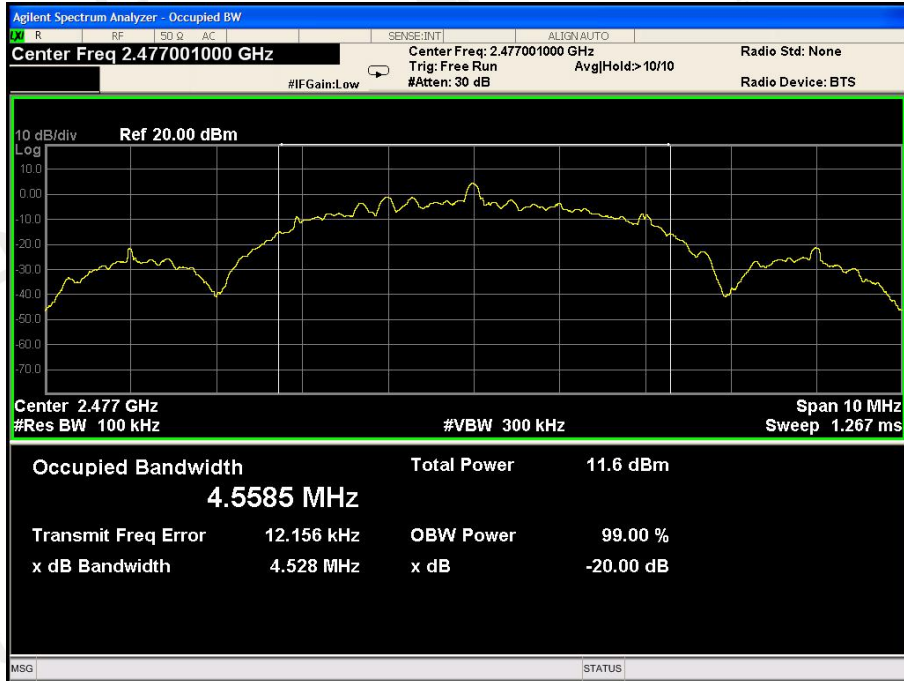
CH:2410.001MHz



CH:2441.501MHz



CH:2477.001MHz



7 ANTENNA REQUIREMENT

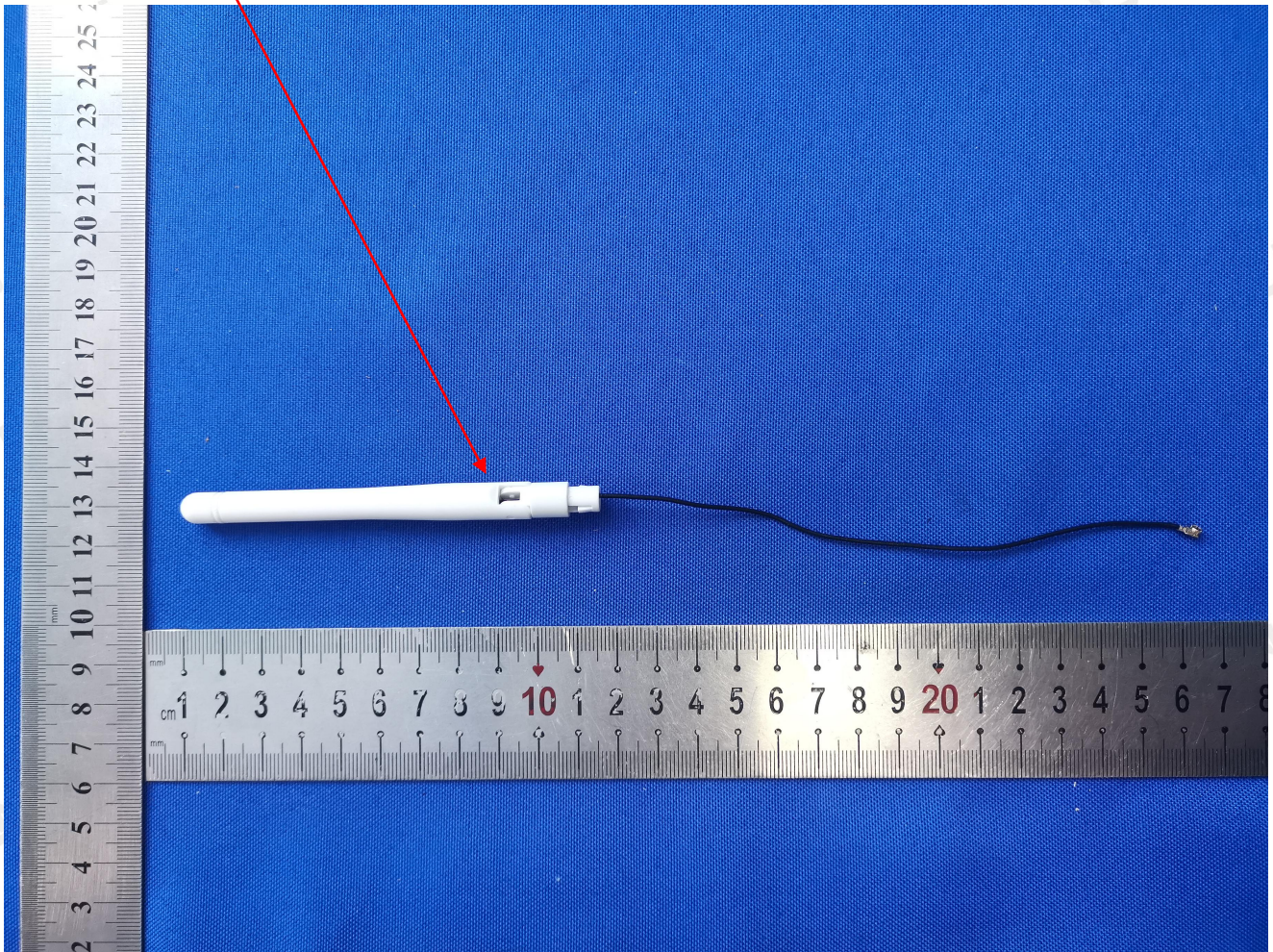
Standard Applicable:

For intentional device, according to FCC 47 CFR Section 15.203, an intentional radiator shall be designed to ensure that no antenna other than that furnished by the responsible party shall be used with the device.

Antenna Connected Construction

The antenna used in this product is a External antenna (with unique buckle wire), The directional gains of antenna used for transmitting is 1dBi.

ANTENNA:



8 PHOTOGRAPH OF TEST

8.1 Radiated Emission



8.2 Conducted Emission



End of Report