

Justification statement for Antenna

To: Federal Communication Commission
Equipment Authorization Branch
7435 Oakland Mills Road
Columbia, MID 21046

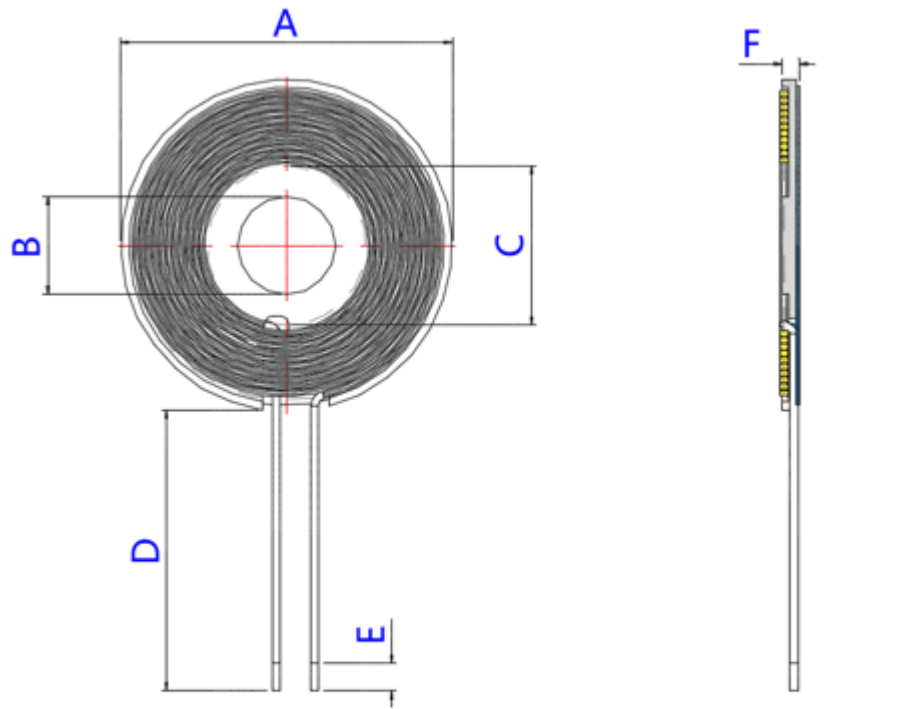
Regarding: FCC ID: 2AZ94MCSBK2

Dear Sir/Madam,

Only radiated measurements are used for EUT with FCC ID: 2AZ94MCSBK2 to show compliance with FCC limits for fundamental and spurious emissions. All measurements were performed radiated and therefore additional antenna gain documentation is not required.

The detailed information for antenna as below shows:

Design Specifications	Typical
Antenna Type	Loop Antenna
Working Frequency	114.4kHz to 148.2kHz 356.8kHz to 369.6kHz
Overall Dimensions	43mm*21mm



A↵	B↵	C↵	D↵	E↵	F↵	↵	↵
42.5 ±	12.5 ±	20.5 ±	8 ± 1↵	3.5 ± 1↵	2.3MAX↵	↵	↵
0.5↵	0.5↵	0.5↵					