

# TEST REPORT

**Product Name** : RK51 - Heart Shape Ring Light Remote controller,  
RK52 - Star Shape Ring Light Remote controller  
**Model Number** : RK51, RK52  
**FCC ID** : 2AZ7K-RK51RK52

**Prepared for** : Kawaii Lighting, LLC  
**Address** : 4821 Lankershim Blvd, Suite F154, North Hollywood, CA  
91601

**Prepared by** : EMTEK (DONGGUAN) CO., LTD.  
**Address** : -1&2/F., Building 2, Zone A, Zhongda Marine Biotechnology Research  
and Development Base, No.9, Xincheng Avenue, Songshanhu  
High-technology Industrial Development Zone, Dongguan,  
Guangdong, China

TEL: +86-0769-22807078  
FAX: +86-0769-22807079

**Report Number** : ED210526092W  
**Date(s) of Tests** : May 31, 2021 to Jun 04, 2021  
**Date of issue** : Jun 04, 2021

## VERIFICATION OF COMPLIANCE

Applicant:	Kawaii Lighting, LLC 4821 Lankershim Blvd, Suite F154, North Hollywood, CA 91601
Manufacturer:	Kawaii Lighting, LLC 4821 Lankershim Blvd, Suite F154, North Hollywood, CA 91601
Product Description:	RK51 - Heart Shape Ring Light Remote controller, RK52 - Star Shape Ring Light Remote controller
Trade Mark:	N/A
Model Number:	RK51, RK52

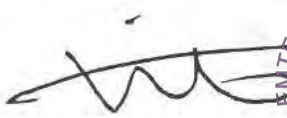

### We hereby certify that:

The above equipment was tested by EMTEK(SHENZHEN) CO., LTD. The test data, data evaluation, test procedures, and equipment configurations shown in this report were made in accordance with the procedures given in ANSI C63.10-2013 and the energy emitted by the sample EUT tested as described in this report is in compliance with conducted and radiated emission limits of FCC Rules Part 15.231(2018).

Date of Test : May 31, 2021 to Jun 04, 2021

Prepared/Tested by :   
Loren Luo /Editor

Reviewer :   
Joe Xia/Supervisor

Approved & Authorized Signer :    
Lisa Wang/Manager

## Modified Information

Version	Summary	Revision Date	Report No.
Ver.1.0	Original Report	/	ED210526092W

## Table of Contents

<b>1</b>	<b>EUT TECHNICAL DESCRIPTION.....</b>	<b>5</b>
<b>2</b>	<b>SUMMARY OF TEST RESULT.....</b>	<b>6</b>
<b>3</b>	<b>TEST METHODOLOGY.....</b>	<b>7</b>
3.1	GENERAL DESCRIPTION OF APPLIED STANDARDS.....	7
3.2	MEASUREMENT EQUIPMENT USED.....	7
3.3	DESCRIPTION OF TEST MODES.....	7
<b>4</b>	<b>FACILITIES AND ACCREDITATIONS.....</b>	<b>7</b>
4.1	FACILITIES.....	7
4.2	LABORATORY ACCREDITATIONS AND LISTINGS.....	8
<b>5</b>	<b>TEST SYSTEM UNCERTAINTY.....</b>	<b>9</b>
<b>6</b>	<b>SETUP OF EQUIPMENT UNDER TEST.....</b>	<b>10</b>
6.1	RADIO FREQUENCY TEST SETUP 1.....	10
6.2	RADIO FREQUENCY TEST SETUP 2.....	10
6.3	CONDUCTED EMISSION TEST SETUP.....	11
6.4	BLOCK DIAGRAM CONFIGURATION OF TEST SYSTEM.....	12
6.5	SUPPORT EQUIPMENT.....	12
<b>7</b>	<b>TEST REQUIREMENTS.....</b>	<b>13</b>
7.1	OCCUPIED BANDWIDTH.....	13
7.2	RADIATED SPURIOUS EMISSION.....	15
7.3	TRANSMISSION REQUIREMENT.....	26
7.4	ANTENNA APPLICATION.....	28

## 1 EUT TECHNICAL DESCRIPTION

Characteristics	Description
<b>Device Type:</b>	RK51 - Heart Shape Ring Light Remote controller, RK52 - Star Shape Ring Light Remote controller
<b>Model:</b>	RK51, RK52 These model are the same expect the model name and appearance, Here select RK51 for test.
<b>Modulation:</b>	FSK
<b>Operating Frequency Range(s):</b>	433.9MHz
<b>Number of Channels:</b>	1 channel
<b>Antenna Type :</b>	PCB antenna
<b>Antenna Gain:</b>	0 dBi
<b>Power supply:</b>	DC 3V from battery

**Note: for more details, please refer to the User's manual of the EUT.**

The EUT has been associated with peripherals pursuant to ANSI C63.10-2013 and configuration operated in a manner tended to maximize its emission characteristics in a typical application. Frequency range investigated: radiation (9 KHz to the 10th harmonic of the highest fundamental frequency or to 40 GHz, whichever is lower).

For Radiated: The EUT's antenna was pre-tested under the following modes:

Test Mode	Description
Mode A	X-Y axis
Mode B	Y-Z axis
Mode C	X-Z axis

From the above modes, the worst case was found in Mode A.

All the x/y/z orientation has been investigated, and only worst case is presented in this report.

## 2 SUMMARY OF TEST RESULT

FCC Part Clause	Test Parameter	Verdict	Remark
15.231(c)	Occupied Bandwidth	PASS	
15.231(b)	Radiated Spurious Emissions	PASS	
15.231(b)	Transmission Requirement	PASS	
15.203	Antenna Requirement	PASS	
15.207(a)	Conducted Emission	N/A	See NOTE

NOTE1: N/A (Not Applicable) ,EUT powered by battery.

### RELATED SUBMITTAL(S) / GRANT(S):

This submittal(s) (test report) is intended for FCC ID: 2AZUW001 filing to comply with Section 15.231 of the FCC Part 15, Subpart C Rules

### 3 TEST METHODOLOGY

#### 3.1 GENERAL DESCRIPTION OF APPLIED STANDARDS

According to its specifications, the EUT must comply with the requirements of the following standards:  
 FCC 47 CFR Part 2, Subpart J  
 FCC 47 CFR Part 15, Subpart C

#### 3.2 MEASUREMENT EQUIPMENT USED

##### 1.1.1. Radiated Emission Test Equipment

EQUIPMENT TYPE	MFR	MODEL NUMBER	SERIAL NUMBER	LAST CAL.
EMI Test Receiver	Rohde & Schwarz	ESU	1302.6005.26	05/20/2021
Pre-Amplifier	HP	8447D	2944A07999	05/20/2021
Bilog Antenna	Schwarzbeck	VULB9163	142	05/20/2021
Loop Antenna	ARA	PLA-1030/B	1029	05/20/2021
Horn Antenna	Schwarzbeck	BBHA 9170	BBHA9170399	05/20/2021
Horn Antenna	Schwarzbeck	BBHA 9120	D143	05/20/2021
Cable	Schwarzbeck	AK9513	ACRX1	05/20/2021
Cable	Rosenberger	N/A	FP2RX2	05/20/2021
Cable	Schwarzbeck	AK9513	CRPX1	05/20/2021
Cable	Schwarzbeck	AK9513	CRRX2	05/20/2021

##### 1.1.2. Radio Frequency Test Equipment

EQUIPMENT TYPE	MFR	MODEL NUMBER	SERIAL NUMBER	LAST CAL.
Spectrum Analyzer	Agilent	E4407B	88156318	05/20/2021
Power meter	Anritsu	ML2495A	0824006	05/20/2021
Power sensor	Anritsu	MA2411B	0738172	05/20/2021

**Remark:** Each piece of equipment is scheduled for calibration once a year.

#### 3.3 DESCRIPTION OF TEST MODES

The EUT has been tested under its typical operating condition.

The EUT configuration for testing is installed on RF field strength measurement to meet the Commissions requirement and operating in a manner which intends to maximize its emission characteristics in a continuous normal application.

The Transmitter was operated in the normal operating mode. The TX frequency was fixed which was for the purpose of the measurements.

Pre-defined engineering program for regulatory testing used to control the EUT for staying in continuous transmitting and receiving mode is programmed.

### 4 FACILITIES AND ACCREDITATIONS

#### 4.1 FACILITIES

All measurement facilities used to collect the measurement data are located at Bldg 69, Majialong Industry Zone, Nanshan District, Shenzhen, Guangdong, China. The sites are constructed in conformance with the requirements of ANSI C63.7, ANSI C63.10 and CISPR Publication 22.



## 4.2 LABORATORY ACCREDITATIONS AND LISTINGS

### Site Description

EMC Lab. : Accredited by CNAS, 2020.08.27  
The certificate is valid until 2024.07.05  
The Laboratory has been assessed and proved to be in compliance with  
CNAS/CL01:2018  
The Certificate Registration Number is L3150

Accredited by FCC  
Designation Number: CN1300  
Test Firm Registration Number: 945551

Accredited by A2LA, April 05, 2021  
The Certificate Registration Number is 4321.02

Accredited by Industry Canada  
The Certificate Registration Number is CN0113

Name of Firm : EMTEK(DONGGUAN) CO., LTD.

Site Location : -1&2/F.,Building 2,Zone A,Zhongda Marine Biotechnology Research and  
Development Base,N.9,Xincheng Avenue,Songshanhu High-technology  
Industrial Development Zone, Dongguan, Guangdong, China



## 5 TEST SYSTEM UNCERTAINTY

The following measurement uncertainty levels have been estimated for tests performed on the apparatus:

Parameter	Uncertainty
Radio Frequency	$\pm 1 \times 10^{-5}$
Conducted Emissions Test	$\pm 2.0\text{dB}$
Radiated Emission Test	$\pm 2.0\text{dB}$
Occupied Bandwidth Test	$\pm 1.0\text{dB}$
All emission, radiated	$\pm 3\text{dB}$
Temperature	$\pm 0.5^\circ\text{C}$
Humidity	$\pm 3\%$

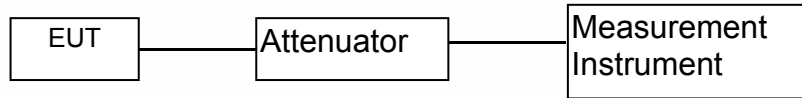
Measurement Uncertainty for a level of Confidence of 95%



## 6 SETUP OF EQUIPMENT UNDER TEST

### 6.1 RADIO FREQUENCY TEST SETUP 1

The component's antenna ports(s) of the EUT are connected to the measurement instrument per an appropriate attenuator. The EUT is controlled by PC/software to emit the specified signals for the purpose of measurements.



### 6.2 RADIO FREQUENCY TEST SETUP 2

The test site semi-anechoic chamber has met the requirement of NSA tolerance 4 dB according to the standards: ANSI C63.10. The test distance is 3m. The setup is according to the requirements in Section 13.1.4.1 of ANSI C63.10-2013 and CAN/CSA-CEI/IEC CISPR 22.

The maximal emission value is acquired by adjusting the antenna height, polarisation and turntable azimuth. Normally, the height range of antenna is 1 m to 4 m, the azimuth range of turntable is 0° to 360°, and the receive antenna has two polarizations Vertical (V) and Horizontal (H).

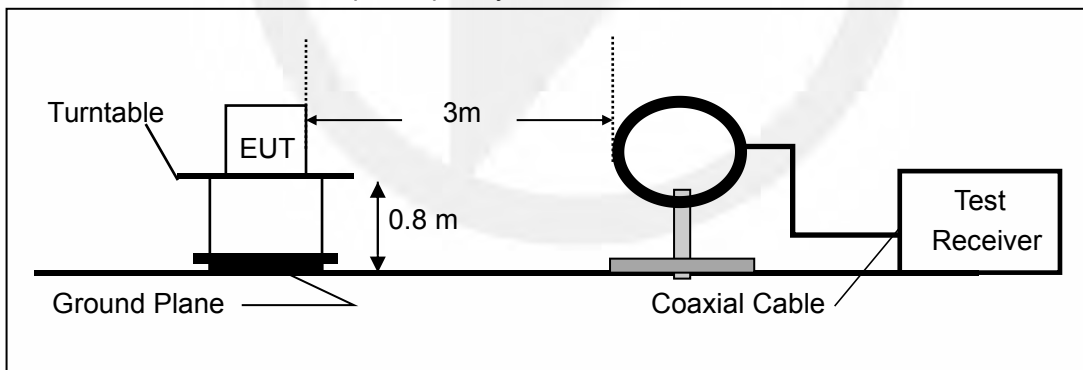
Below 30MHz:

The EUT is placed on a turntable 0.8 meters above the ground in the chamber, 3 meter away from the antenna (loop antenna). The Antenna should be positioned with its plane vertical at the specified distance from the EUT and rotated about its vertical axis for maximum response at each azimuth about the EUT. The center of the loop shall be 1 m above the ground. For certain applications, the loop antenna plane may also need to be positioned horizontally at the specified distance from the EUT.

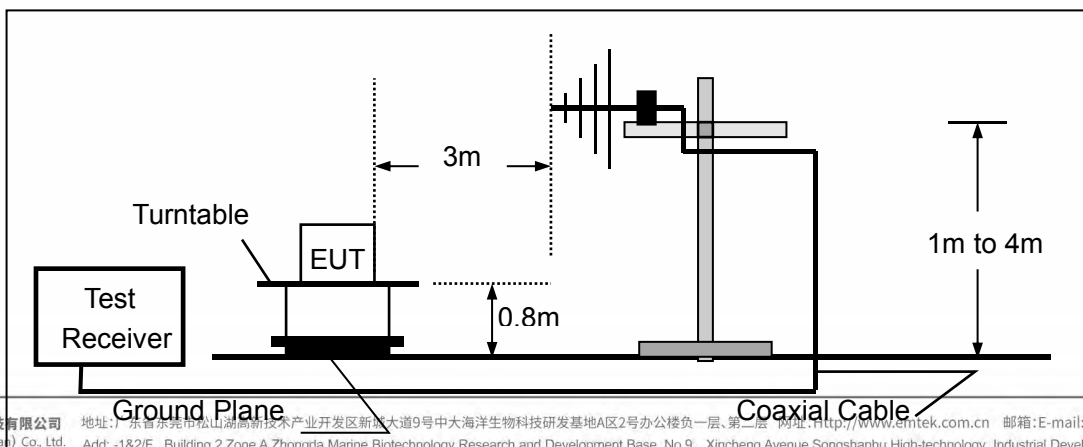
Above 30MHz:

The EUT is placed on a turntable 0.8 meters above the ground in the chamber, 3 meter away from the antenna. The maximal emission value is acquired by adjusting the antenna height, polarisation and turntable azimuth. Normally, the height range of antenna is 1 m to 4 m, the azimuth range of turntable is 0° to 360°, and the receive antenna has two polarizations Vertical (V) and Horizontal (H).

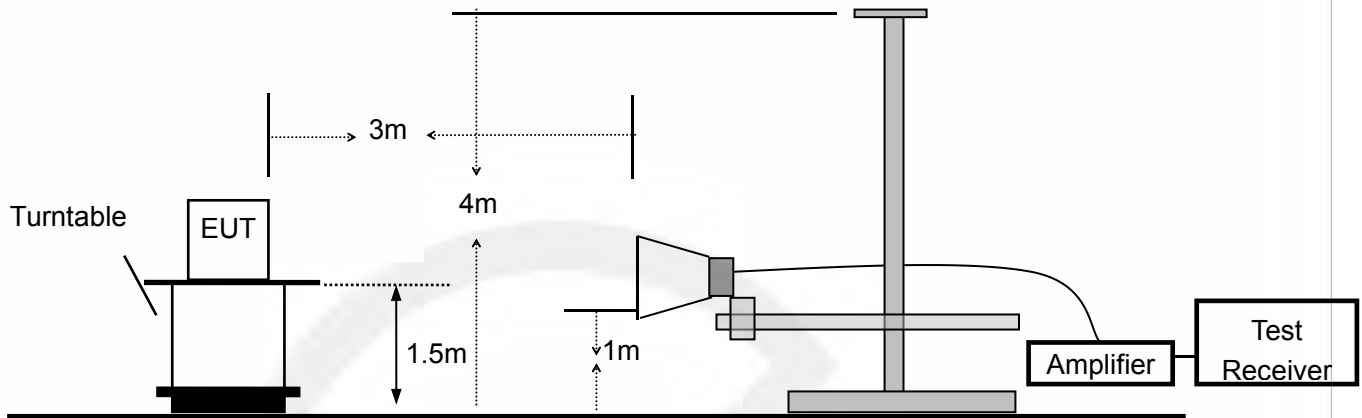
(a) Radiated Emission Test Set-Up, Frequency Below 30MHz



(b) Radiated Emission Test Set-Up, Frequency Below 1000MHz



(C) Radiated Emission Test Set-Up, Frequency above 1000MHz

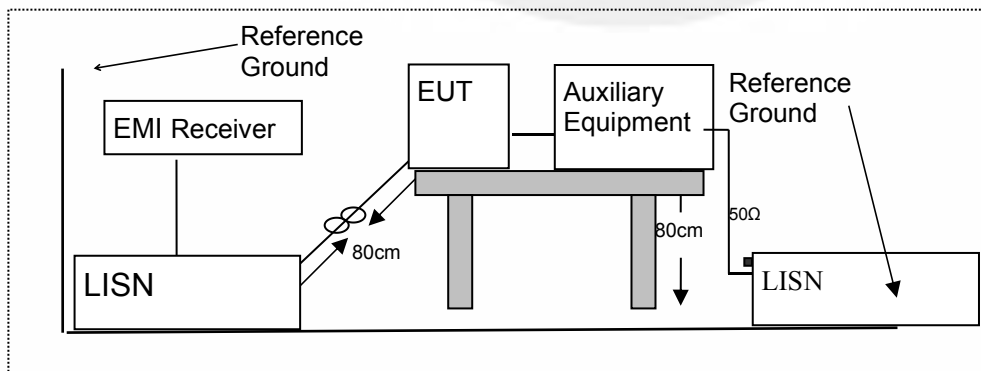


**6.3 CONDUCTED EMISSION TEST SETUP**

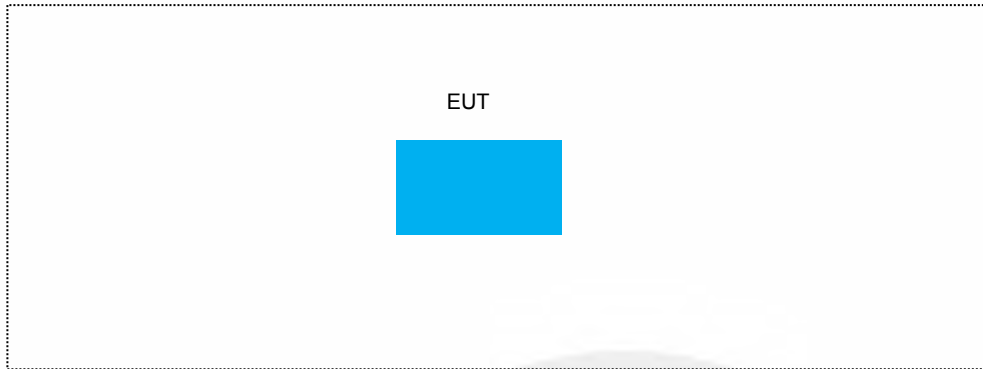
The mains cable of the EUT (maybe per AC/DC Adapter) must be connected to LISN. The LISN shall be placed 0.8 m from the boundary of EUT and bonded to a ground reference plane for LISN mounted on top of the ground reference plane. This distance is between the closest points of the LISN and the EUT. All other units of the EUT and associated equipment shall be at least 0.8m from the LISN.

Ground connections, where required for safety purposes, shall be connected to the reference ground point of the LISN and, where not otherwise provided or specified by the manufacturer, shall be of same length as the mains cable and run parallel to the mains connection at a separation distance of not more than 0.1 m.

According to the requirements in ANSI C63.10-2013 Conducted emissions from the EUT measured in the frequency range between 0.15 MHz and 30 MHz using CISPR Quasi-Peak and average detector mode.



**6.4 BLOCK DIAGRAM CONFIGURATION OF TEST SYSTEM**



**6.5 SUPPORT EQUIPMENT**

Item	Equipment	Mfr/Brand	Model/Type No.	Series No.	Note
1.	N/A	N/A	N/A	N/A	

**Notes:**

1. All the equipment/cables were placed in the worst-case configuration to maximize the emission during the test.
2. Grounding was established in accordance with the manufacturer’s requirements and conditions for the intended use.

## 7 TEST REQUIREMENTS

### 7.1 OCCUPIED BANDWIDTH

#### 7.1.1 Applicable Standard

According to FCC Part 2.1049 and part 15.231(c)

#### 7.1.2 Conformance Limit

The bandwidth of the emission shall be no wider than 0.25% of the center frequency for devices operating above 70 MHz and below 900 MHz. For devices operating above 900 MHz, the emission shall be no wider than 0.5% of the center frequency. Bandwidth is determined at the points 20 dB down from the modulated carrier.

#### 7.1.3 Test Configuration

Test according to clause 6.1 radio frequency test setup 1

#### 7.1.4 Test Procedure

The EUT was operating in transmit mode and controlled its channel. Printed out the test result from the spectrum by hard copy function.

The RF output of EUT was connected to the spectrum analyzer by RF cable and attenuator. The path loss was compensated to the results for each measurement.

Set to the maximum power setting and enable the EUT transmit continuously

Set RBW = 1% occupied bandwidth (3KHz).

Set the video bandwidth (VBW) =10KHz.

Set Span= approximately 2 to 3 times the occupied bandwidth

Set Detector = Peak.

Set Trace mode = max hold.

Set Sweep = auto couple.

The EUT should be transmitting at its maximum data rate. Allow the trace to stabilize. Use the marker-to-peak function to set the marker to the peak of the emission. Use the marker-delta function to measure 99% down one side of the emission. Reset the markerdelta function, and move the marker to the other side of the emission, until it is (as close as possible to) even with the reference marker level. The marker-delta reading at this point is the 99% bandwidth of the emission.

If this value varies with different modes of operation (e.g., data rate, modulation format, etc.), repeat this test for each variation.

Measure and record the results in the test report.

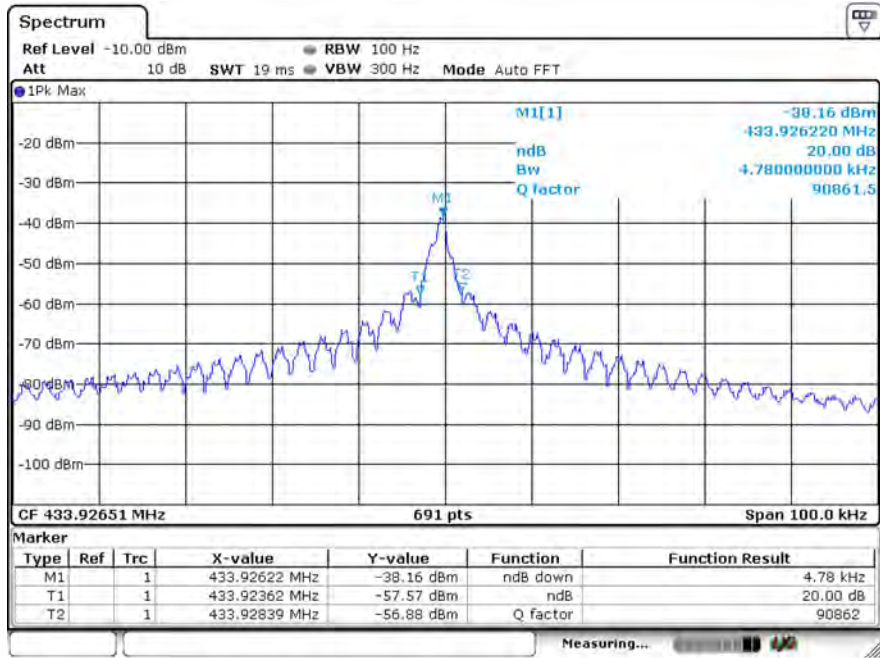
#### Test Results

Temperature : 25°C      Test Date : Jun 1, 2021  
 Humidity : 65 %      Test By: Yaping Shen

Modulation Mode	Channel Number	Channel Frequency (MHz)	Measurement Bandwidth (kHz)	Limit (kHz)	Verdict
FSK	0	433.9	4.78	≤1084.9KHz	PASS
Note: N/A (Not Applicable) BW=0.25% of the center frequency					

## Occupied Bandwidth

Channel : 433.9MHz





## 7.2 RADIATED SPURIOUS EMISSION

### 7.2.1 Applicable Standard

According to FCC Part 15.231(b) and 15.209

### 7.2.2 Conformance Limit

Intentional radiators may operate at a periodic rate exceeding that specified in paragraph (a) of this section and may be employed for any type of operation, including operation prohibited in paragraph (a) of this section, provided the intentional radiator complies with the provisions of paragraphs (b) through (d) of this section, except the field strength table in paragraph (b) of this section is replaced by the following:

FCC 15.205 Restricted frequency band

MHz	MHz	MHz	GHz
0.090 - 0.110	16.42 - 16.423	399.9 - 410	4.5 - 5.15
<sup>1</sup> 0.495 - 0.505	16.69475 - 16.69525	608 - 614	5.35 - 5.46
2.1735 - 2.1905	16.80425 - 16.80475	960 - 1240	7.25 - 7.75
4.125 - 4.128	25.5 - 25.67	1300 - 1427	8.025 - 8.5
4.17725 - 4.17775	37.5 - 38.25	1435 - 1626.5	9.0 - 9.2
4.20725 - 4.20775	73 - 74.6	1645.5 - 1646.5	9.3 - 9.5
6.215 - 6.218	74.8 - 75.2	1660 - 1710	10.6 - 12.7
6.26775 - 6.26825	108 - 121.94	1718.8 - 1722.2	13.25 - 13.4
6.31175 - 6.31225	123 - 138	2200 - 2300	14.47 - 14.5
8.291 - 8.294	149.9 - 150.05	2310 - 2390	15.35 - 16.2
8.362 - 8.366	156.52475 - 156.52525	2483.5 - 2500	17.7 - 21.4
8.37625 - 8.38675	156.7 - 156.9	2690 - 2900	22.01 - 23.12
8.41425 - 8.41475	162.0125 - 167.17	3260 - 3267	23.6 - 24.0
12.29 - 12.293	167.72 - 173.2	3332 - 3339	31.2 - 31.8
12.51975 - 12.52025	240 - 285	3345.8 - 3358	36.43 - 36.5
12.57675 - 12.57725	322 - 335.4	3600 - 4400	( <sup>2</sup> )

FCC 15.209 Limited

Frequencies (MHz)	Field Strength (microlvolts/meter)	Measurement Distance (meters)
0.009~0.490	2400/F(KHz)	300
0.490~1.705	24000/F(KHz)	30
1.705~30.0	30	30
30~88	100	3
88~216	150	3
216~960	200	3
960~1000	500	3
Above 1GHz	74 dBuV/m (PEAK) 54 dBuV/m (AVERAGE)	



15.231 Limited

Fundamental Frequency (MHz)	Field Strength of Fundamental (microvolts/meter)	Field Strength of Spurious Emissions (microvolts/meter)
40.66 - 40.70	2,250	225
70 - 130	1,250	125
130 - 174	1,250 to 3,750 **	125 to 375 **
174 - 260	3,750	375
260 - 470	3,750 to 12,500 **	375 to 1,250 **
Above 470	12,500	1,250

\*\* linear interpolations

The field intensity in micro-volts per meter can then be determined by the following equation:  $FI(V/m) = 10FI(dBV/m) / 20$  The FCC specified emission limits were calculated according the EUT operating frequency and obtained by following linear interpolation equations:

(a) For fundamental frequency:

$$f_{EUT} : \text{EUT Operating Frequency Emission Limit (V/m)}$$

$$= [f_{EUT}(\text{MHz}) - 260(\text{MHz})] \times \frac{12500(\text{V/m}) - 3750(\text{V/m})}{470(\text{MHz}) - 260(\text{MHz})} + 3750(\text{V/m})$$

(b) For spurious frequencies:

$$f_{EUT} : \text{EUT Operating Frequency Emission Limit (V/m)}$$

$$= [f_{EUT}(\text{MHz}) - 260(\text{MHz})] \times \frac{1250(\text{V/m}) - 375(\text{V/m})}{470(\text{MHz}) - 260(\text{MHz})} + 375(\text{V/m})$$

Other emissions radiated outside of the specified frequency bands, except for harmonics, shall be attenuated by at least 20 dB below the level of the fundamental or comply with the radiated emissions limits specified in section 1 5.209(a) limit in the table below has to be followed.

Note:

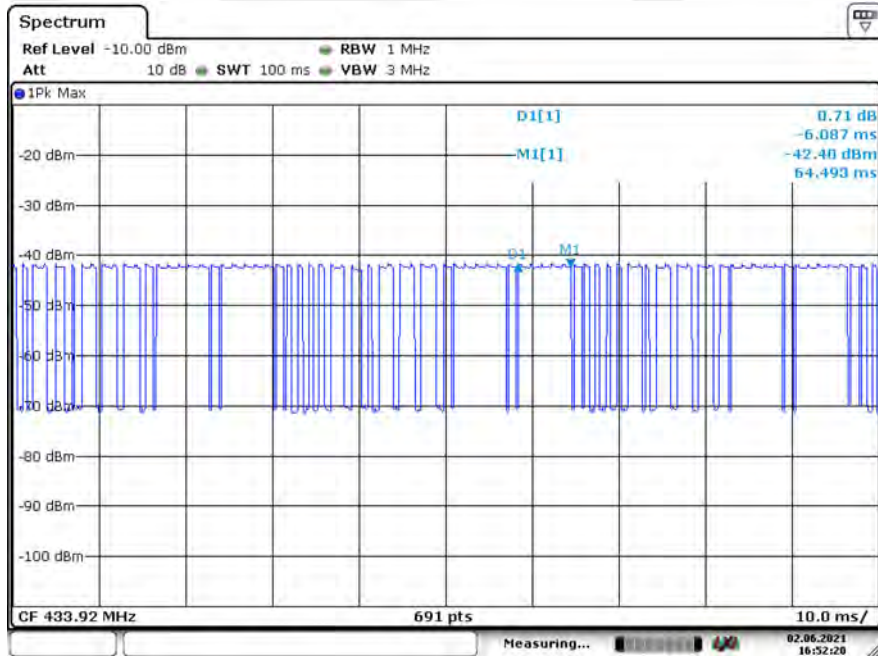
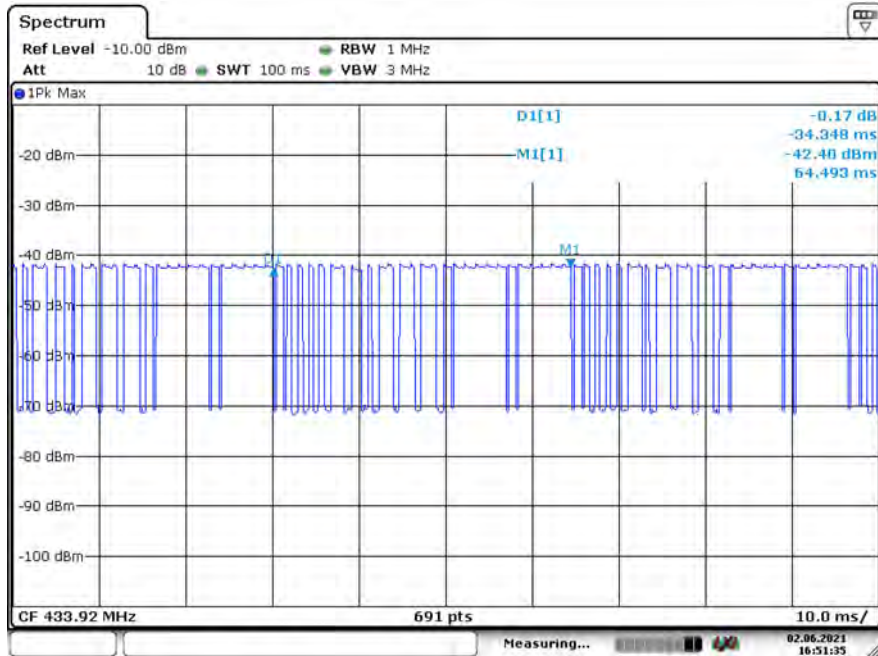
- (1) The tighter limit applies at the band edges.
- (2) Emission level (dBuV/m)=20log Emission level (uV/m).

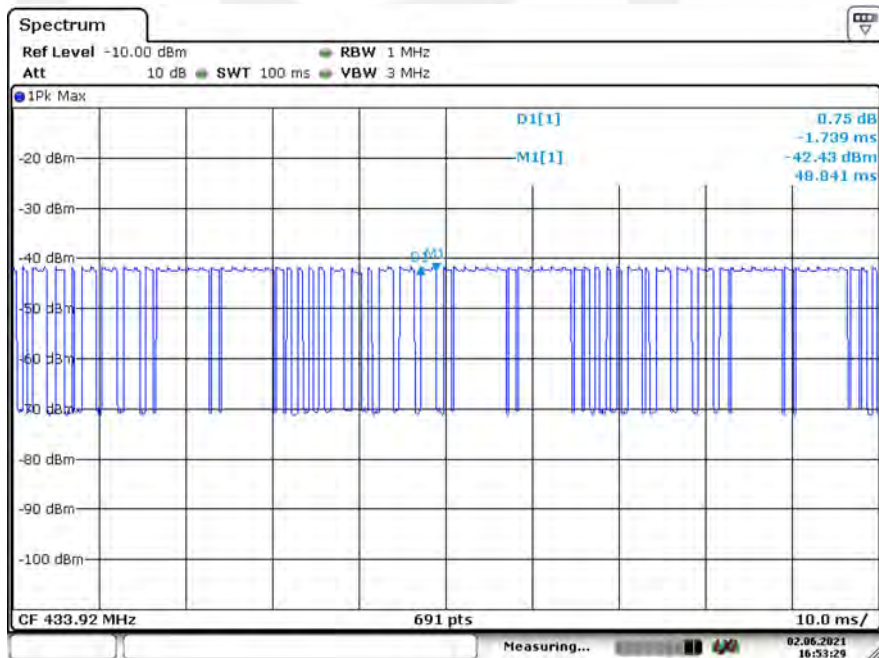
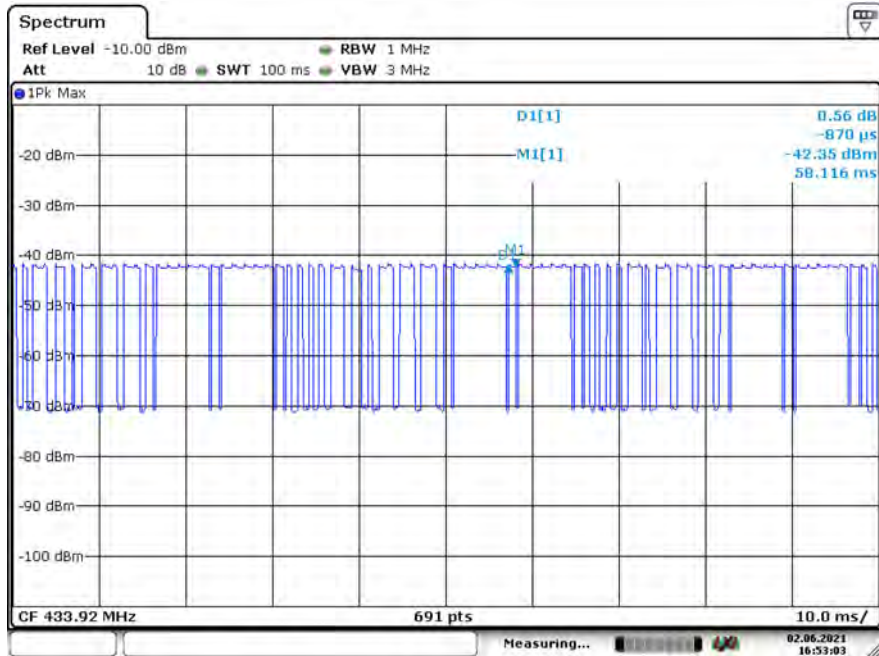
FCC Part15 (15.231) , Subpart C		
Fundamental Frequency	Field Strength Of Fundamental	Field Strength of Spurious Emissions
433.9MHz	AV:80.83 dBuV/m at 3m distance	AV:60.83 dBuV/m at 3m distance
	PK:100.83dBuV/m at 3m distance	PK:80.83 dBuV/m at 3m distance

### 7.2.3 Calculation of Average factor

The average correction factor is computed by analyzing the on time in 100ms over one complete pulse train. Analysis of the remote transmitter on time in one complete pulse train, therefore the average value of fundamental frequency is:  $Average = Peak Value + 20\log(Duty Cycle)$ , where the duty factor is calculated from following formula:  
 The duty cycle is simply the on-time divided by the period:  
 The duration of one cycle =  $6.087 \times 2 + 0.87 \times 7 + 1.739 \times 5 = 26.959ms$   
 Effective period of the cycle =  $34.348ms$   
 Duty Cycle =  $26.959 / 34.348 = 0.785$   
 Therefore, the averaging factor is found by  $20\log(0.785) = -2.10$

Please see the test plot below:

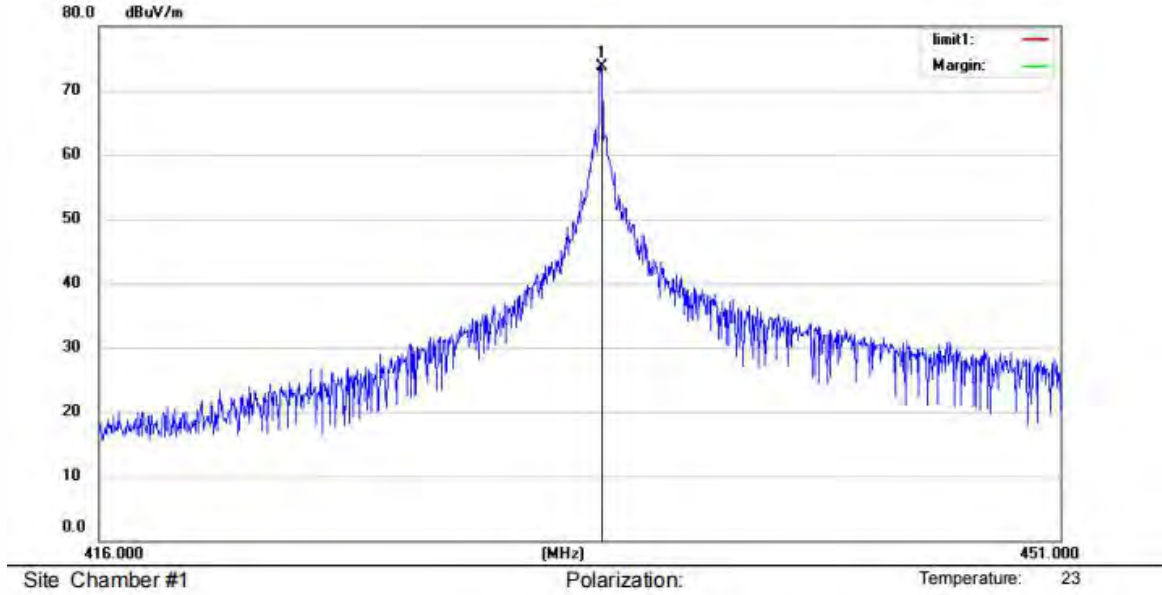




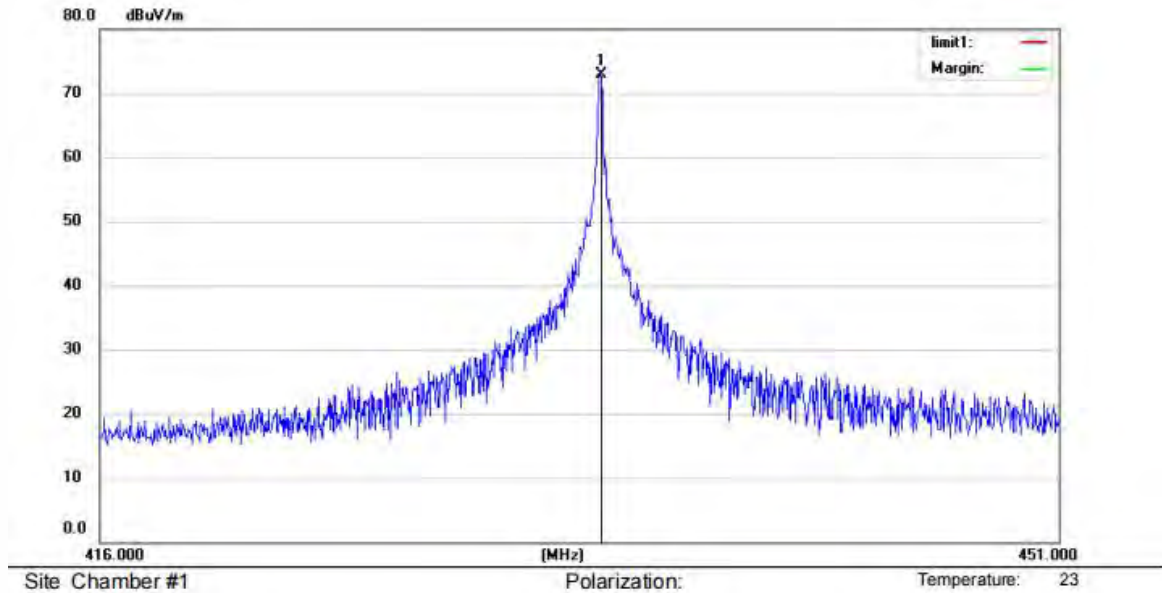
Field Strength of the fundamental signal

Freq. (MHz)	Ant. Pol.	Emission Level(dBuV/m) PK	AV Factor	Emission Level(dBuV/m) AV	Limit 3m(dBuV/m)		Margin(dB)	
					PK	AV	PK	AV
433.9	H	72.24	-2.10	70.14	100.8	80.8	-28.56	-10.66
433.9	V	71.96	-2.10	69.86	100.8	80.8	-28.84	-10.94

Fundamental signal-H



Fundamental signal-V





### 7.2.4 Measurement Result

#### Spurious Emission below 30MHz (9KHz to30MHz)

Modulation:	FSK	Test Date :	Jun 1, 2021
Frequency Range:	9KHz-30MHz	Temperature :	26 °C
Test Result:	PASS	Humidity :	56 %
Measured Distance:	3m	Test By:	Yaping Shen

Freq. (MHz)	Ant. Pol. H/V	Reading Level(dBuV/m)		Correct Factor dB	Emission Level(dBuV/m)		AVG Fact or dB	Limit 3m(dBuV/m)		Margin(dB)	
		PK	AV		PK	AV		PK	AV	PK	AV
-	-	-	-	-	-	-	-	-	-	-	-

Note: the amplitude of spurious emission that is attenuated by more than 20dB below the permissible limit has no need to be reported.

Distance extrapolation factor =  $40 \log(\text{Specific distance} / \text{test distance})$  (dB);

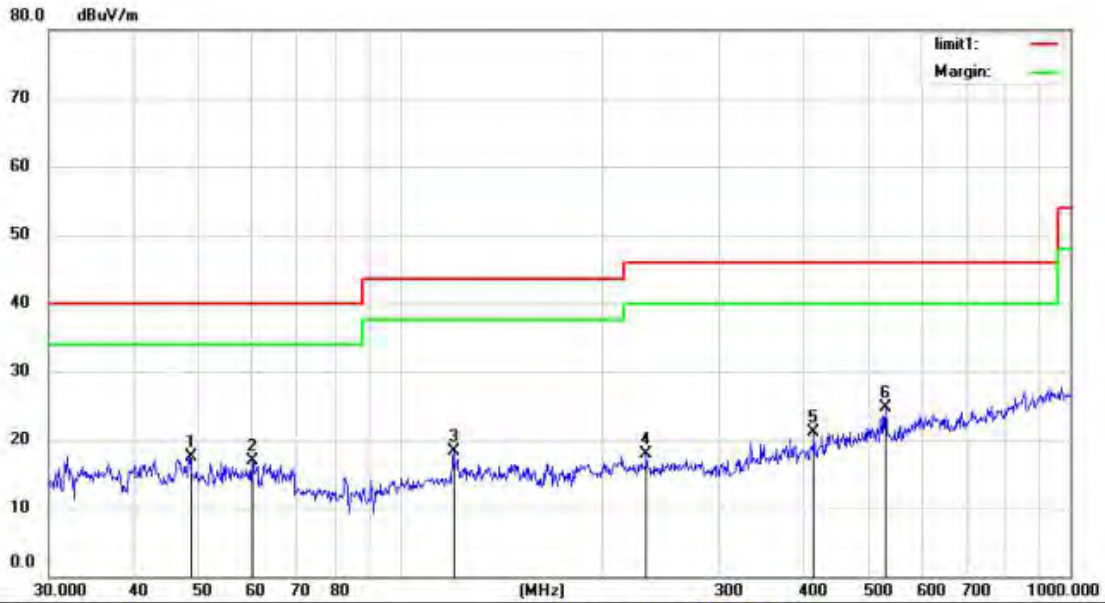
Limit line = Specific limits(dBuV) + distance extrapolation factor

### 7.2.5 Radiated spurious emission below 1GHz

Modulation:	FSK	Test Date :	Jun 1, 2021
Frequency Range:	30-1000MHz	Temperature :	26 °C
Test Result:	PASS	Humidity :	56 %
Measured Distance:	3m	Test By:	Yaping Shen

- Note: (1) All Readings are Peak Value.  
(2) Correct Factor= Antenna Factor +Cable Loss- Amplifier Gain  
(3) Emission Level= Reading Level+Probe Factor +Cable Loss  
(4) True Value = Emission Level + Duty Cycle Correction Factor  
(5) DF= Duty Cycle Correction Factor  
(6) Duty Cycle Correction Factor (dB) =-2.10dB  
(7) Margin = PK Level – AV limit  
(8) The “\*” means restricted bands  
(9) All the x/y/z orientation has been investigated, and only worst case is presented in this report.  
(10) The EUT has been evaluated in xyz orientation, and the worst result have been recorded in the report.





Site Chamber #1 Polarization: **Vertical** Temperature: 23  
 Limit: FCC PART 15 B 3m(RE) Power: DC 3V Humidity: 58 %  
 Mode: 433MHz  
 Note:

No.	Mk.	Freq.	Reading Level	Correct Factor	Measurement	Limit	Over	Antenna Height	Table Degree	
		MHz	dBuV	dB	dBuV/m	dBuV/m	dB	cm	degree	Comment
1		48.6720	34.30	-16.81	17.49	40.00	-22.51	QP		
2		60.2800	33.54	-16.59	16.95	40.00	-23.05	QP		
3		120.2766	36.53	-18.24	18.29	43.50	-25.21	QP		
4		233.3486	32.77	-14.92	17.85	46.00	-28.15	QP		
5		414.7223	32.85	-11.75	21.10	46.00	-24.90	QP		
6	*	530.1013	34.32	-9.71	24.61	46.00	-21.39	QP		

\*:Maximum data x:Over limit !:over margin

Operator: Ccyf



Site Chamber #1      Polarization: **Horizontal**      Temperature: 23  
 Limit: FCC PART 15 B 3m(RE)      Power: DC 3V      Humidity: 58 %  
 Mode: 433MHz  
 Note:

No.	Mk.	Freq. MHz	Reading Level dBuV	Correct Factor dB	Measure- ment dBuV/m	Limit dBuV/m	Over dB	Detector	Antenna Height cm	Table Degree	Comment
1	*	30.4237	37.92	-15.84	22.08	40.00	-17.92	QP			
2		54.8348	34.18	-16.17	18.01	40.00	-21.99	QP			
3		216.7828	34.32	-15.45	18.87	46.00	-27.13	QP			
4		420.5803	32.73	-11.57	21.16	46.00	-24.84	QP			
5		470.5230	31.97	-10.45	21.52	46.00	-24.48	QP			
6		782.3451	32.18	-5.65	26.53	46.00	-19.47	QP			

\*:Maximum data    x:Over limit    !:over margin

Operator: Ccyf

7.2.6 Radiated spurious emission above 1GHz

Modulation:	FSK	Test Date :	Jun 1, 2021
Frequency Range:	1000-6000MHz	Temperature :	26 °C
Test Result:	PASS	Humidity :	56 %
Measured Distance:	3m	Test By:	Yaping Shen

Freq. (MHz)	Ant. Pol.	Reading Level(dBuV/m)		Correct Factor dB	Emission Level(dBuV/m)		AVG Factor dB	Limit 3m(dBuV/m)		Margin(dB)	
		PK	AV		PK	AV		PK	AV	PK	AV
1302.01	V	58.35	41.29	-20.42	37.93	20.87	-2.1	80.83	60.8	-42.9	-39.93
1735.44	V	56.29	45.29	-20.96	35.33	24.33	-2.1	80.83	60.8	-45.5	-36.47
2169.81	V	50.19	37.53	-9.56	40.63	27.97	-2.1	80.83	60.8	-40.2	-32.83
2603.1	V	42.55	26.59	-7.03	35.52	19.56	-2.1	80.83	60.8	-45.31	-41.24
3037.6	V	43.57	29.31	-7.08	36.49	22.23	-2.1	80.83	60.8	-44.34	-38.57
1302.04	H	52.59	48.53	-19.93	32.66	28.6	-2.1	80.83	60.8	-48.17	-32.2
1736.38	H	50.24	45.2	-19.99	30.25	25.21	-2.1	80.83	60.8	-50.58	-35.59
2170.36	H	50.18	36.18	-10.95	39.23	25.23	-2.1	80.83	60.8	-41.6	-35.57
2603.66	H	42.64	26.42	-8.15	34.49	18.27	-2.1	80.83	60.8	-46.34	-42.53
3036.85	H	42.27	27.93	-8.31	33.96	19.62	-2.1	80.83	60.8	-46.87	-41.18

- Note: (1) All Readings are Peak Value.  
 (2) Correct Factor= Antenna Factor +Cable Loss- Amplifier Gain  
 (3) Emission Level= Reading Level+Probe Factor +Cable Loss  
 (4) True Value = Emission Level + Duty Cycle Correction Factor  
 (5) DF= Duty Cycle Correction Factor  
 (6) Duty Cycle Correction Factor (dB) =-2.10dB  
 (7) Margin = PK Level – AV limit  
 (8) The “\*” means restricted bands  
 (9) All the x/y/z orientation has been investigated, and only worst case is presented in this report.  
 (10) The EUT has been evaluated in xyz orientation, and the worst result have been recorded in the report.

### 7.3 TRANSMISSION REQUIREMENT

#### 7.3.1 Applicable Standard

According to FCC Part 15.231(a)

#### 7.3.2 Conformance Limit

According to FCC Part 15.231(a): A manually operated transmitter shall employ a switch that will automatically deactivate the transmitter within not more than 5 seconds of being released.

#### 7.3.3 Test Configuration

Test according to clause 6.2 radio frequency test setup 2

#### 7.3.4 Test Procedure

The following table is the setting of spectrum analyzer.

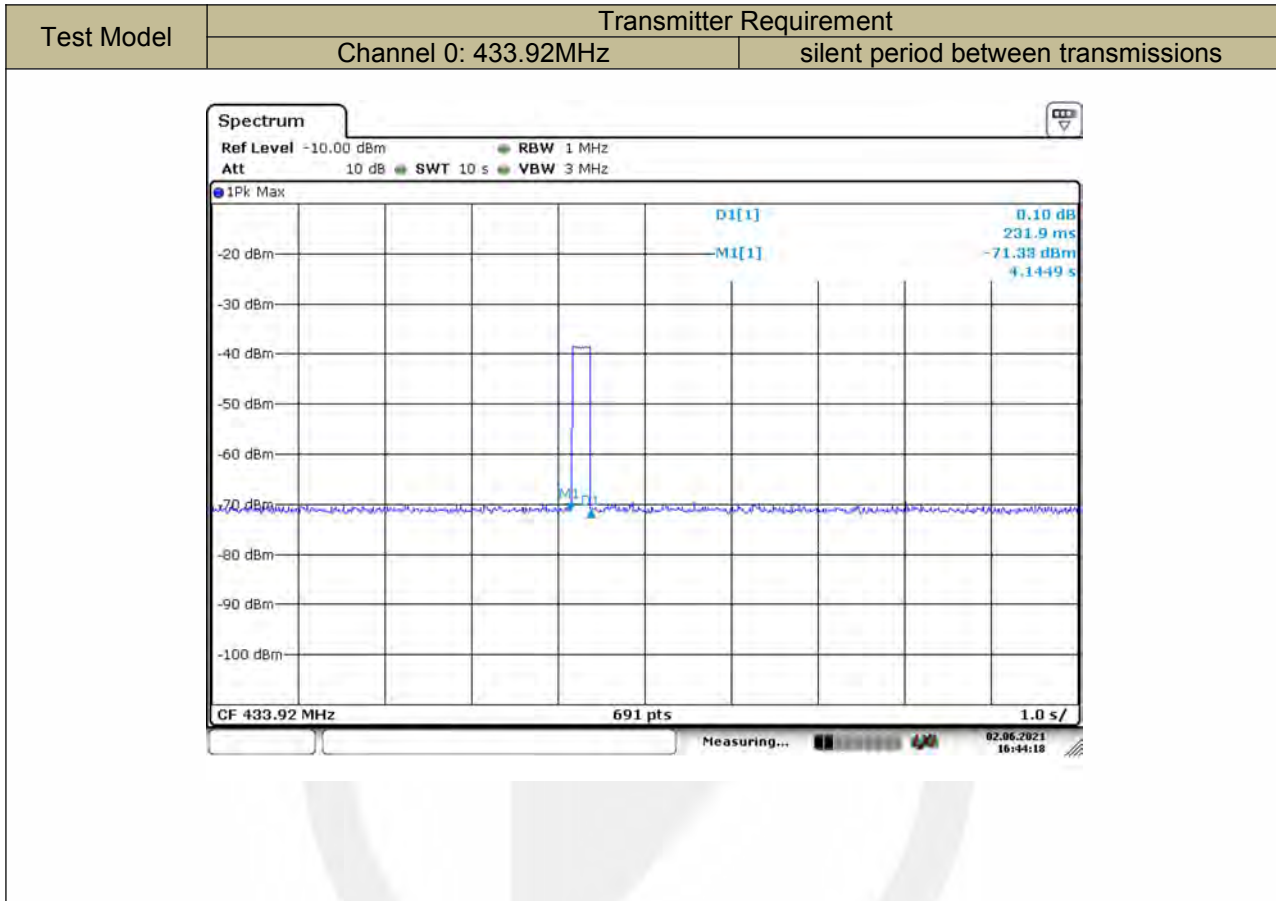
Spectrum analyzer	Setting
Attenuation	Auto
Span Frequency	0Hz
RBW	1M
VBW	3M
Detector	Peak
Trace	Max hold
Sweep Time	5S

- The transmitter output (antenna port) was connected to the spectrum analyzer.
- Set RBW of spectrum analyzer to 1MHz and VBW to 1MHz, Set Detector to Peak, Trace to Max Hold.
- Set the span to 0Hz and the sweep time to 10s and record the value.

#### 7.3.5 Test Results

Temperature:	24 °C	Test Date:	Jun 1, 2021
Humidity:	53 %	Test By:	KK
Test mode:	TX Mode		

Frequency.(MHz)	silent period between transmissions	Limit	Verdict
433.92	231.9ms	5 seconds	PASS





## 7.4 Antenna Application

### 7.4.1 Antenna Requirement

For intentional device, according to FCC 47 CFR Section 15.203, an intentional radiator shall be designed to ensure that no antenna other than that furnished by the responsible party shall be used with the device.

### 7.4.2 Result

The EUT's antenna is PCB antenna, using a permanently attached antenna which is not replaceable. The antenna's gain is 0dBi and meets the requirement.



-----The end-----