



Bluetooth Antenna
specification&Test report

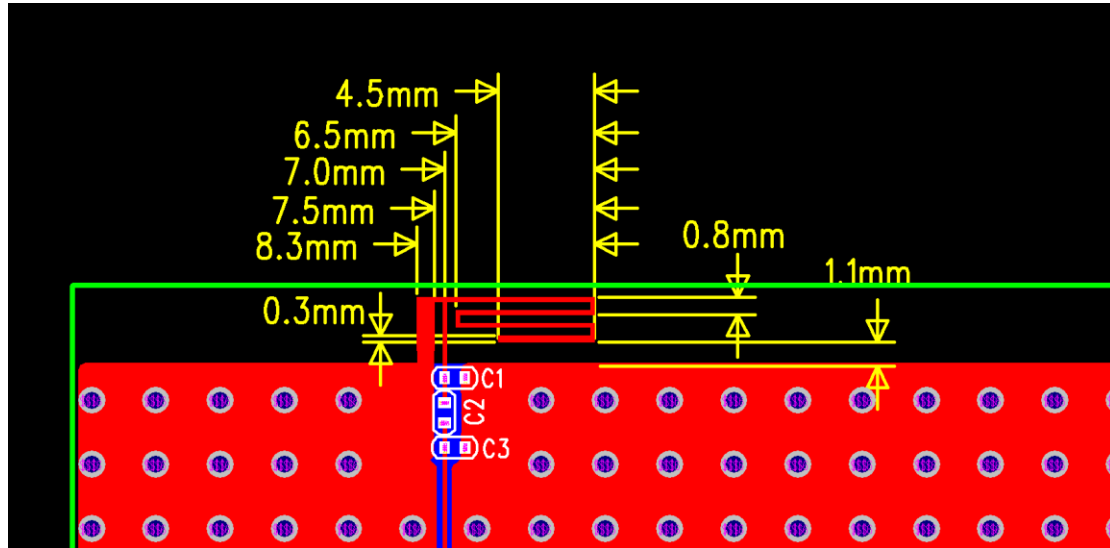
Yichip Microelectronics

©2014

antenna design specification

Antenna dimensions as blow picture show: the material is FR4 and the thickness is 1.6mm of PCB.

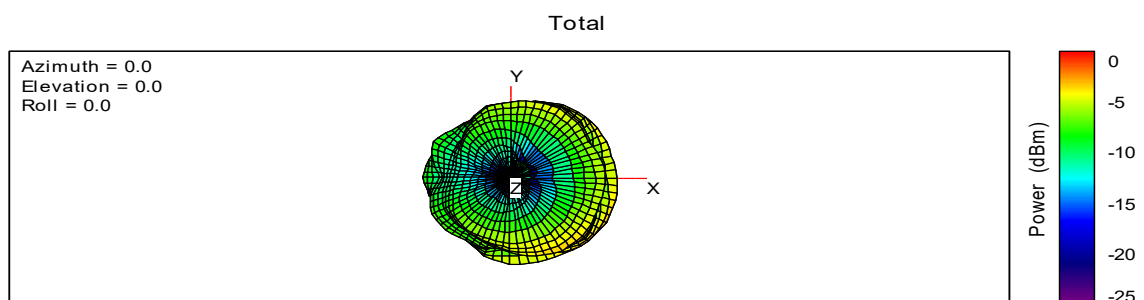
ANT1:



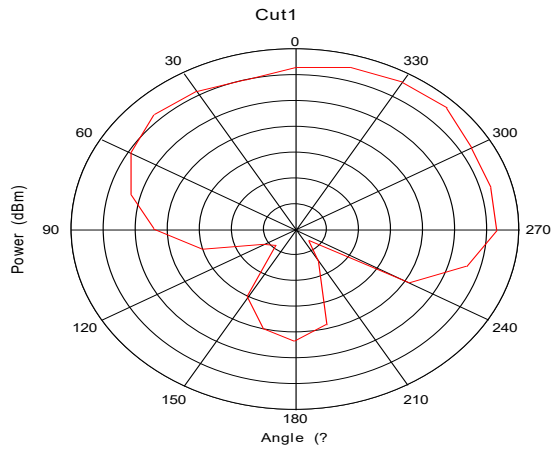
Gain and Efficiency

Frequency (MHz)	Efficiency(%)	Gain(dBi)
2300	13.17	-1.57
2320	19.08	-0.76
2340	22.65	-0.41
2360	22.62	-0.12
2380	18.03	-0.42
2400	14.86	-0.93
2420	12.54	-1.17
2440	9.92	-2.03
2460	7.46	-2.47
2480	6.11	-2.98
2500	5.39	-3.83

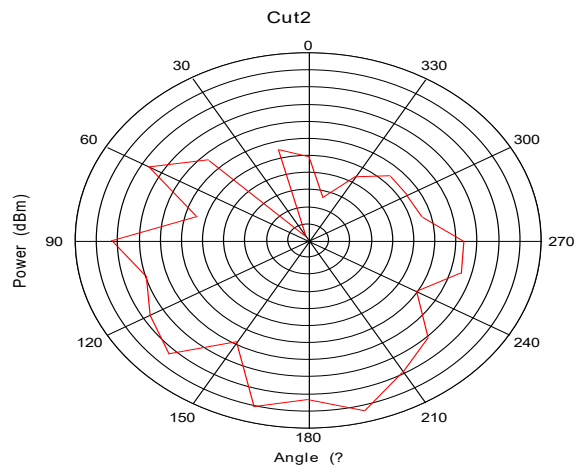
3D and 1D Radiation Patterns



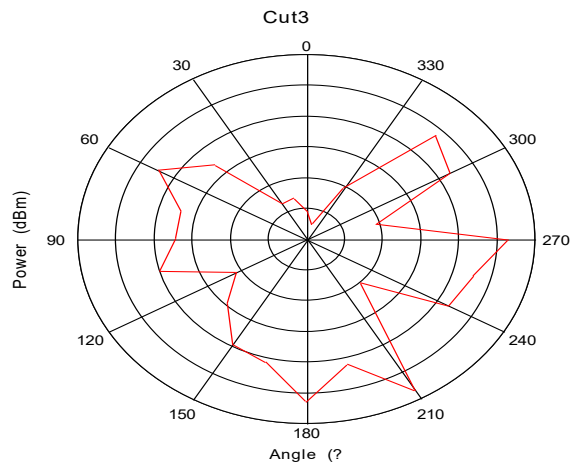
2440M TRP 1



Max: -2
Min: -16
Scale: 2/div



Max: 0
Min: -22
Scale: 2/div



Max: -2
Min: -14
Scale: 2/div