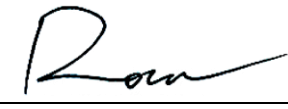


RF EVALUATION TEST REPORT

Applicant..... : Dongguan Leaper Electronic Technology CO.,LTD
Address..... : NO.22, Xinbao second Street, Dalang new town, Dongguan City, China
Manufacturer..... : Dongguan Leaper Electronic Technology CO.,LTD
Address..... : NO.22, Xinbao second Street, Dalang new town, Dongguan City, China
Factory..... : Dongguan Leaper Electronic Technology CO.,LTD
Address..... : NO.22, Xinbao second Street, Dalang new town, Dongguan City, China
Product Name..... : Multi-Function Makeup Mirror-Wireless Charging
Brand Name..... : N/A
Model No. : WS20012-B
FCC ID..... : 2AZ4X-WS20012-B
Measurement Standard..... : 47 CFR PART 2, Section 2.1091
Receipt Date of Samples.... : January 27, 2024
Date of Tested..... : January 27, 2024 to February 19, 2024
Date of Report..... : February 29, 2024

This report shows that above equipment is technically compliant with the requirements of the standards above. All test results in this report apply only to the tested sample(s). Without prior written approval of Dongguan Nore Testing Center Co., Ltd, this report shall not be reproduced except in full.


Prepared by
Rose Hu / Project Engineer


Lori Fan / Authorized Signatory

Table of Contents

1. General Description of EUT	4
2. Test Facility and Location	6
3. Test Modes Detail	7
4. Configuration of EUT	7
5. Modification of EUT	7
6. Description of Support Device.....	8
7. Deviations and Abnormalities from Standard Conditions	8
8. Applicable Standards and References.....	8
9. Measurement Uncertainty	9
10. Maximum Permissible Exposure.....	10
11. Test Equipment List.....	14
12. Test Photos	15

1. General Description of EUT

Product Information	
Product Name:	Multi-Function Makeup Mirror-Wireless Charging
Main Model Name:	WS20012-B
Additional Model Name:	N/A
Model Difference:	N/A
S/N:	2401-0515
Brand Name:	N/A
Hardware Version:	wirelesscharging-AB0198
Software Version:	leader.2021.11
Rating:	Input: DC 5V 2A; DC 3.7V internal li-ion battery Wireless Output: 5W
Typical Arrangement:	Table-top
I/O Port:	Refer to user manual
Accessories Information	
Adapter:	N/A
Cable:	USB cable: 1.47m, unshielded, detachable
Other:	N/A
Additional Information	
Note:	N/A
Remark:	All the information above are provided by the manufacturer. More detailed feature of the EUT please refers to the user manual.

Technical Specification	
Frequency Range:	110.5-205KHz
Modulation Type:	FSK
Antenna Type:	Coil antenna
Output power for each coil:	5W

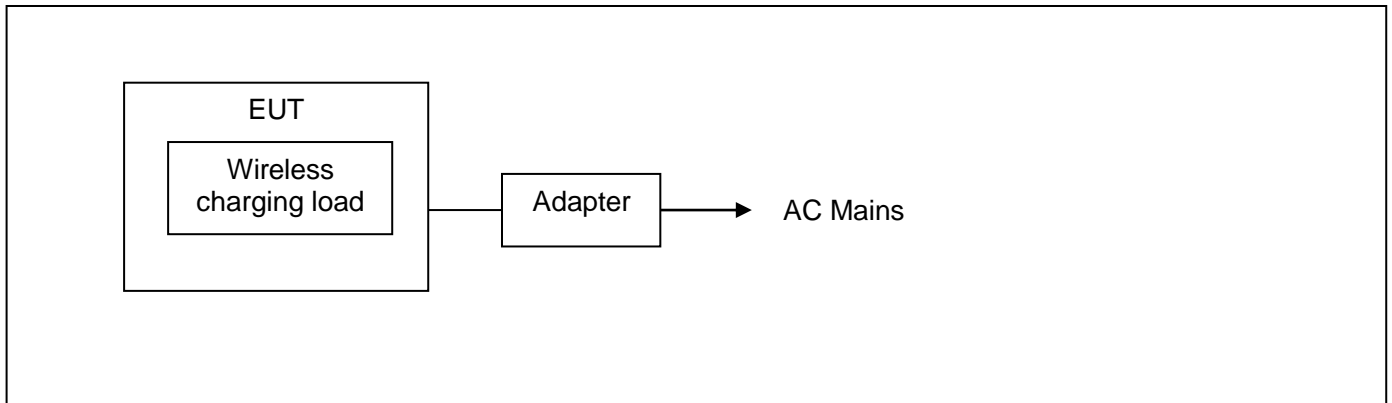
2. Test Facility and Location

Test Site	:	Dongguan Nore Testing Center Co., Ltd. (Dongguan NTC Co., Ltd.)
Accreditations and Authorizations	:	<p>The Laboratory has been assessed and proved to be in compliance with CNAS/CL01</p> <p>Listed by CNAS, August 13, 2018</p> <p>The Certificate Registration Number is L5795.</p> <p>The Certificate is valid until August 13, 2024</p> <p>The Laboratory has been assessed and proved to be in compliance with ISO17025</p> <p>Listed by A2LA, November 01, 2017</p> <p>The Certificate Registration Number is 4429.01</p> <p>Listed by FCC, November 06, 2017</p> <p>Test Firm Registration Number: 907417</p> <p>Listed by Industry Canada, June 08, 2017</p> <p>The Certificate Registration Number. Is 46405-9743A</p>
Test Site Location	:	Building D, Gaosheng Science and Technology Park, Hongtu Road, Nancheng District, Dongguan City, Guangdong Province, China

3. Test Modes Detail

Test Mode	Test Setup Configuration	Remark
1.	Wireless Charging 5W	Full Load, Half Load, Empty Load

4. Configuration of EUT



5. Modification of EUT

No modifications are made to the EUT during all test items.

6. Description of Support Device

The EUT has been tested as an independent unit together with other necessary accessories or support units. The following support units or accessories were used to form a representative test configuration during the tests.

No.	Equipment	Brand	M/N	S/N	Cable Specification	Remarks
1.	Wireless Charging Load	Consumer Electronics	2S	---	---	Provided by the Lab.
2.	Adapter	HUAWEI	HW-20032 5CP0	---	---	Provided by the Lab.

7. Deviations and Abnormalities from Standard Conditions

No additions, deviations and exclusions from the standard.

8. Applicable Standards and References

According to the specifications of the manufacturer, the EUT must comply with the requirements of the following standards:

Test Standards:

47 CFR Part 1, 1.1307(b) and 1.1310

KDB 680106 D01v04

9. Measurement Uncertainty

No.	Test Item	Uncertainty	Remarks
1.	Magnetic Field Emissions	±0.15 dB	---
2.	Electric Field Emissions	±0.36 dB	---

Note: This uncertainty represents an expanded uncertainty expressed at approximately the 95% confidence level using a coverage factor of k=2.

10. Maximum Permissible Exposure

LIMIT

Frequency range (MHz)	Electric field strength (V/m)	Magnetic field strength (A/m)	Power density (mW/cm ²)	Averaging time (minutes)
(A) Limits for Occupational/Controlled Exposures				
0.3-3.0	614	1.63	*(100)	6
3.0-30	1842/f	4.89/f	*(900/f ²)	6
30-300	61.4	0.163	1.0	6
300-1500	/	/	f/300	6
1500-100,000	/	/	5	6
(B) Limits for General Population/Uncontrolled Exposure				
0.3-1.34	614	1.63	*(100)	30
1.34-30	824/f	2.19/f	*(180/f ²)	30
30-300	27.5	0.073	0.2	30
300-1500	/	/	f/1500	30
1500-100,00	/	/	1.0	30

F=frequency in MHz

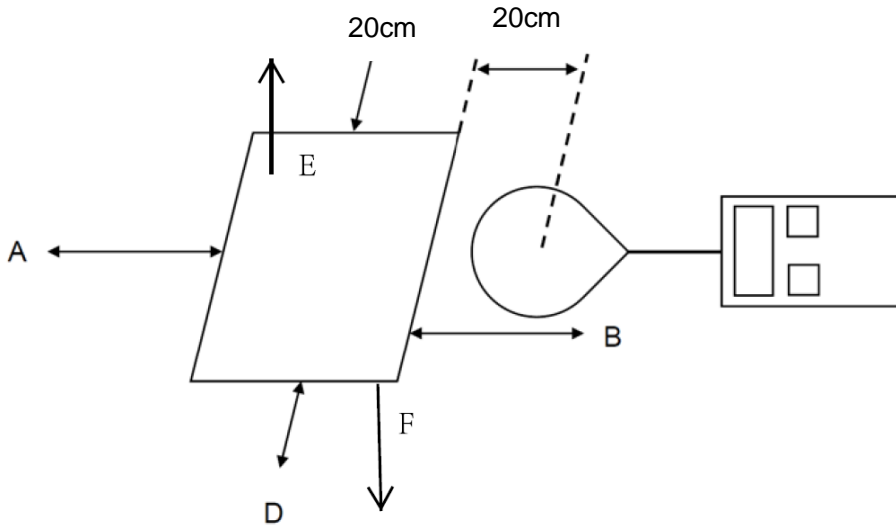
*=Plane-wave equivalent power density

RF exposure compliance will need to be determined with respect to 1.1307(c) and (d) of the FCC rules. The emissions should be within the limits at 300kHz in Table 1 of 1.1310(use the 300kHz limits for 150kHz: 614V/m,1.63A/m).

Per KDB 680106 D01v04, RF exposure evaluation at 20cm surrounding the device and 20cm above the top surface. Emission between 50 kHz to 300 kHz should be assessed versus the limits at 300 kHz in Table 1 of Section 1.1310: 1.63/Am and aggregate H-field strengths from all simultaneous transmitting coils are demonstrated to be less than 50% of the MPE limit.

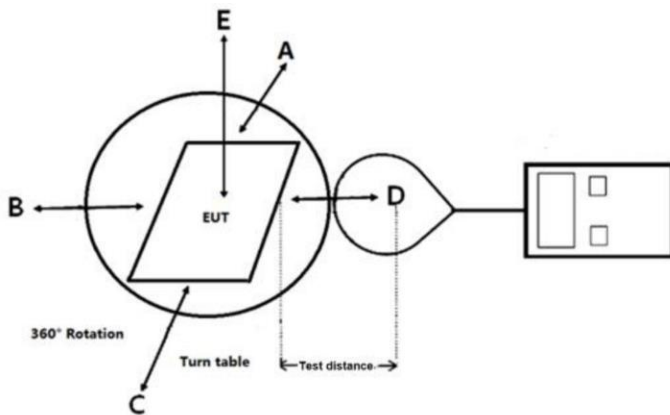
BLOCK DIAGRAM OF TEST SETUP

For Mobile:



Note: The distance of the points A/B/C/D/E is 20cm.

For Portable:



Note: The distance of the points A/B/C/D/E is 2,4,6,8,10,12,14,16,18, 20cm.

TEST PROCEDURES

For mobile exposure conditions:

- a. The RF exposure test was performed in anechoic chamber;
- b. E and H-field measurements should be made with the center of the probe at a distance of 20cm surrounding the EUT and 20cm above the top surface of the primary/client pair.
- c. The highest emission level was recorded and compared with limit.
- d. The EUT was measured according to the dictates of KDB 680106 D01v04.

For portable exposure conditions:

- a. The RF exposure test was performed in anechoic chamber;
- b. E and H-field measurements should be made with the probe at 0cm for all side of the EUT.
- c. The highest emission level was recorded and compared with limit.

For portable exposure conditions:

Perform H-field measurements for each edge/top surface of the host/client pair at every 2cm, starting from as close as possible out to 20cm.

TEST RESULTS

PASS

Please refer to the following pages of the worst case.

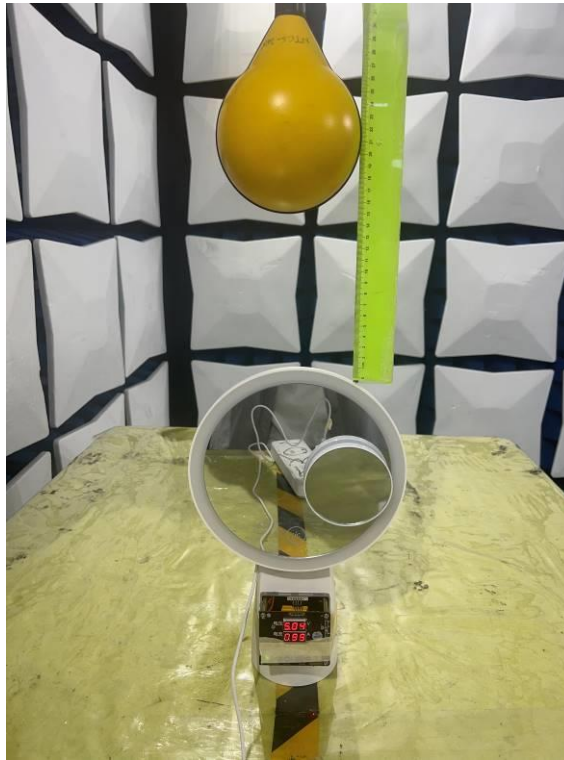
5W, Test Mode 1, Full load					
Test Distance (cm)	Test Position	Mobile Measure Result (V/m)	Mobile Measure Result (A/m)	Limit (V/m)	Limit (A/m)
20	Side A	2.344	0.19	614	1.63
	Side B	1.704	0.18	614	1.63
	Side C	2.851	0.18	614	1.63
	Side D	2.129	0.19	614	1.63
	Side E	5.707	0.23	614	1.63

11. Test Equipment List

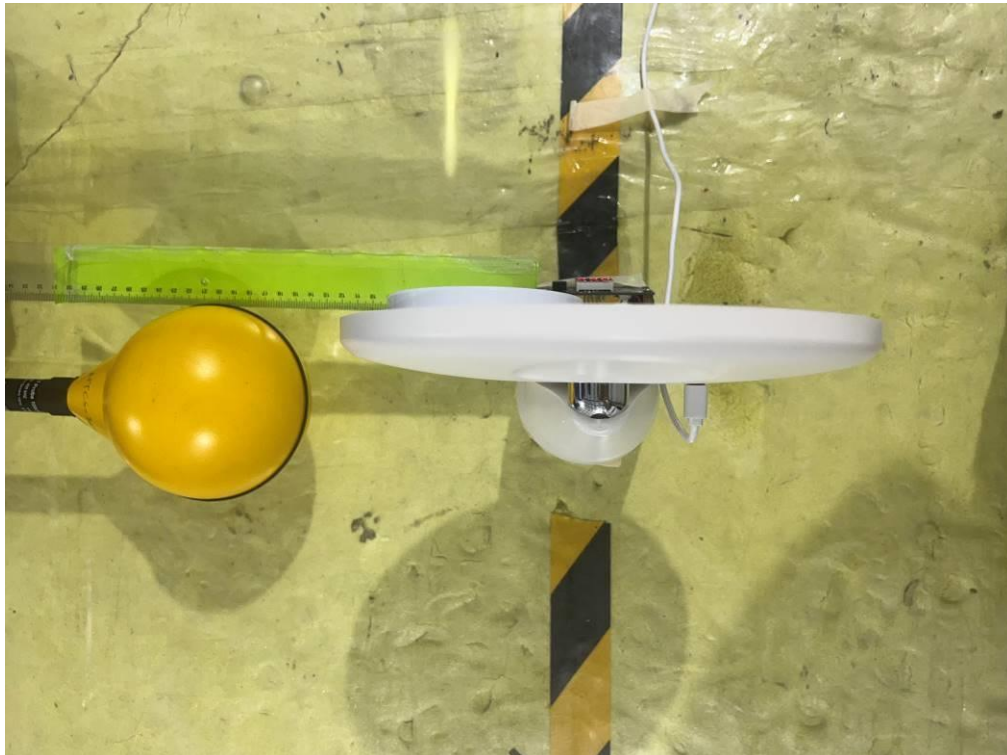
Item	Equipment	Manufacturer	Model No.	Serial No.	Last Cal.	Cal. Interval
1.	Magnetic field probe 100cm ²	Narda	ETL-400 Probe 1Hz-400KHz (r=6.2cm)	O-0167	June 28, 2023	1 Year
2.	E-Field Probe	Narda	EP-601	611WX70729	Mar. 23, 2023	1 Year

12. Test Photos

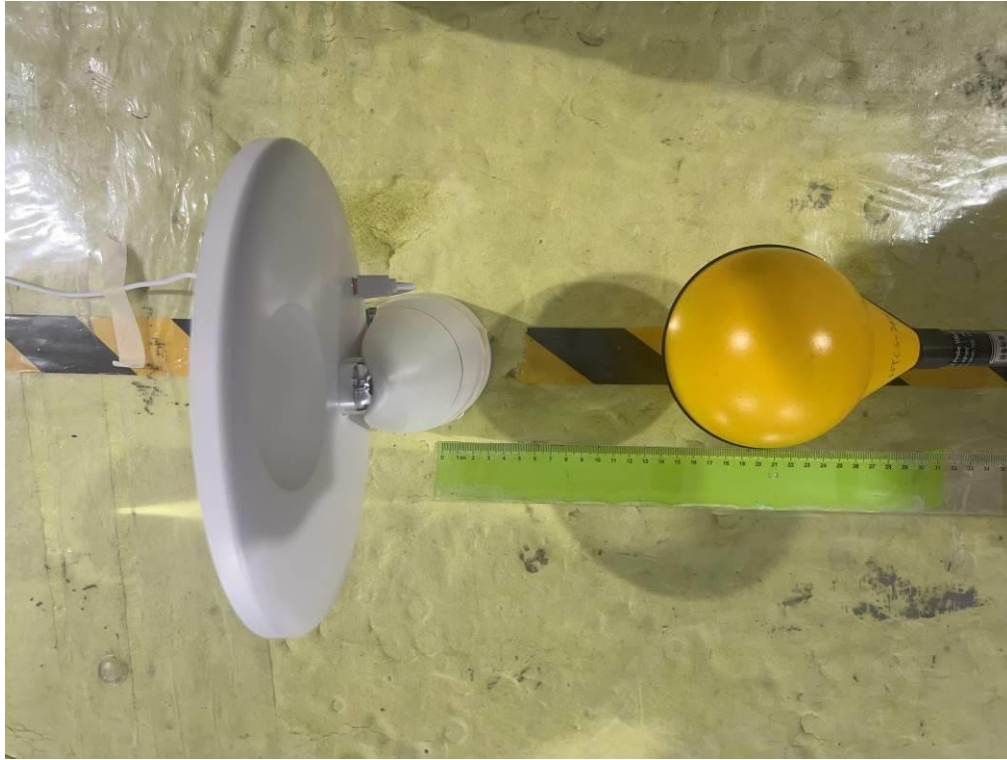
Side A: Test distance 20cm



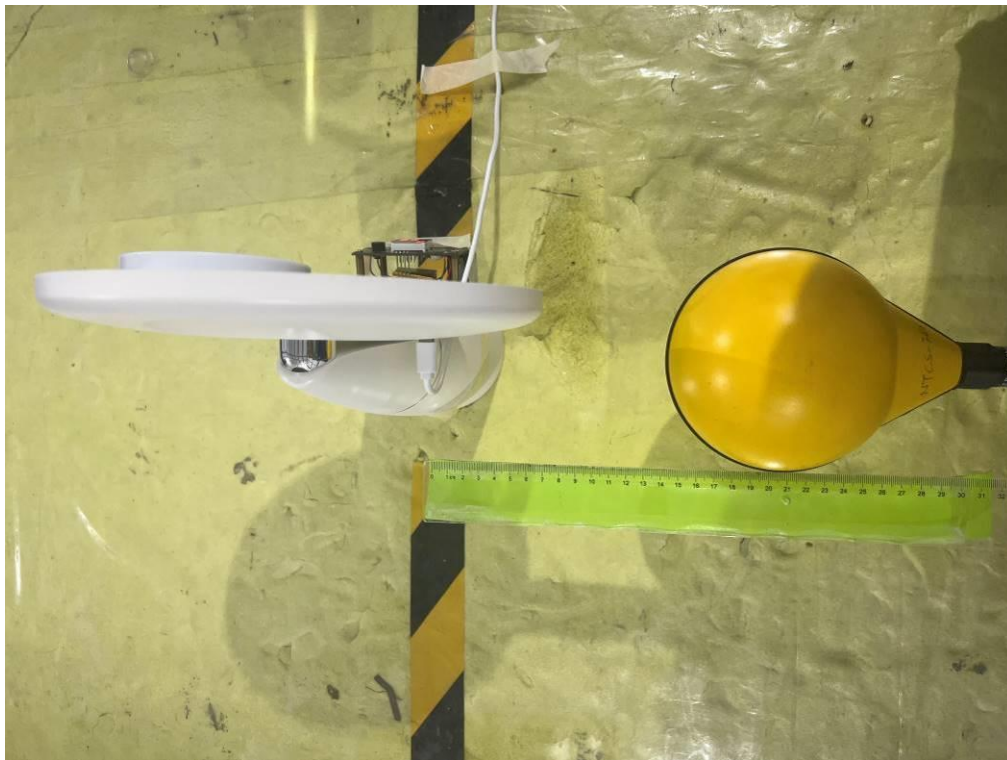
Side B: Test distance 20cm



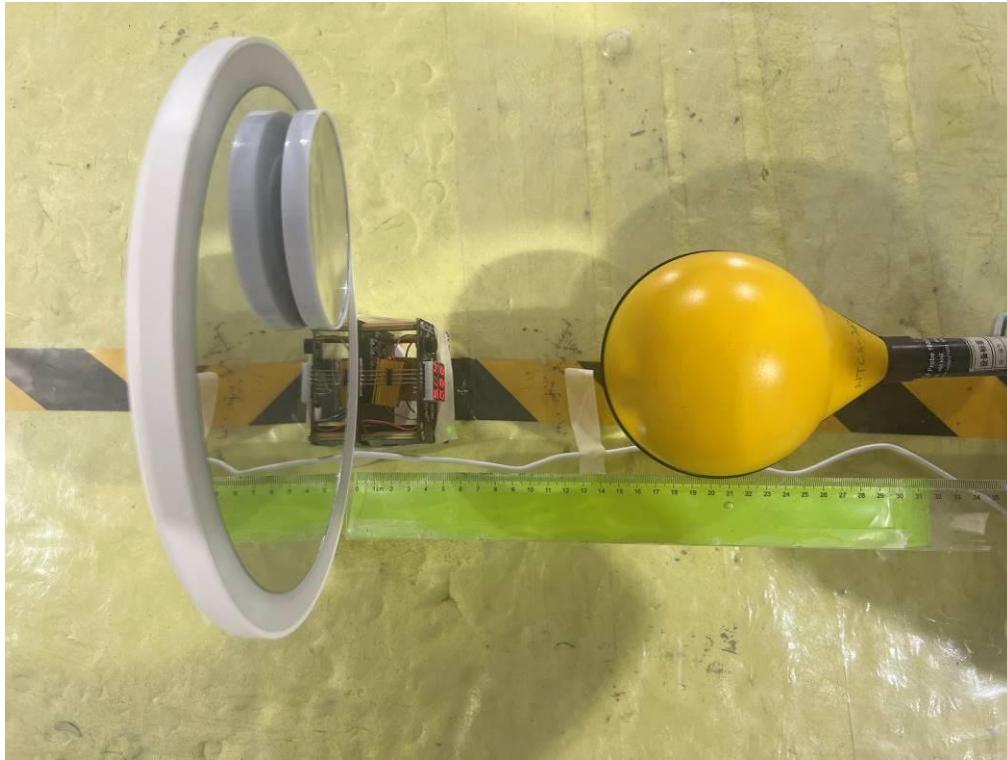
Side C: Test distance 20cm



Side D: Test distance 20cm



Side E: Test distance 20cm



---End---