

Antenna Design for P1012主天线 V1.0

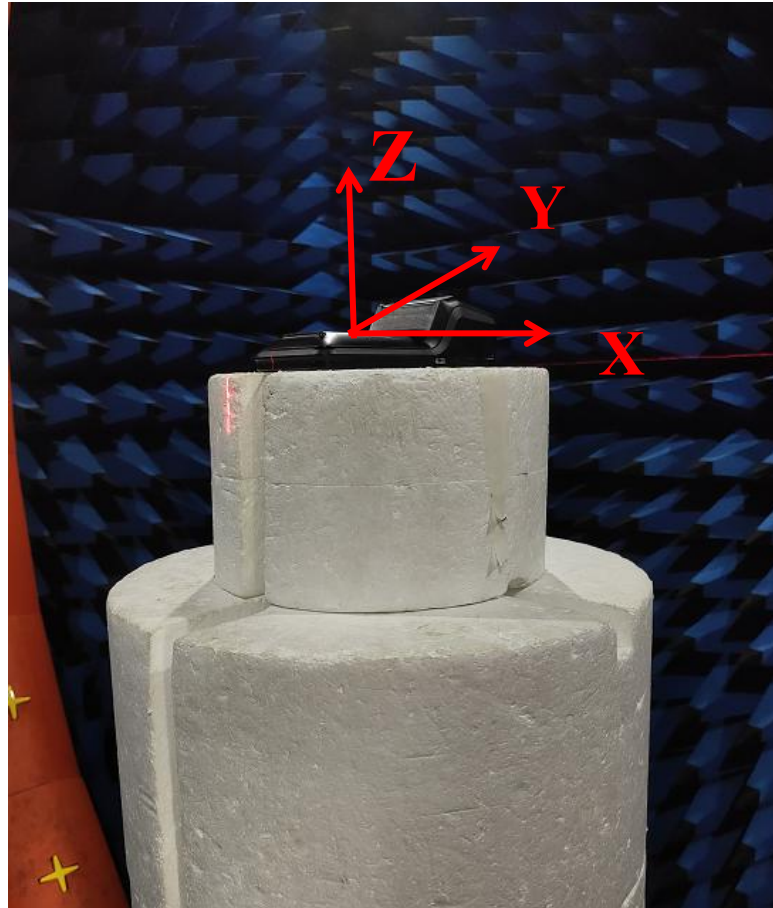
Document Number	DZZ-20220829
1st Released Date	29/08/2022
Author	Bo Bian
Review By	Huiping Feng

Specification

Rough description	main ant
Item	Initial Specification
Impedance	50Ω
Frequency range	700~960MHz&1710~2690MHz
Antenna Type	Dipole
Peak Gain	700~960MHz 0dBi; 1710~2690MHz 3dbi
Radiation	Omni
Polarization	Linear
Connector Type	CCT四代
Cable Length	φ0.81 L=83mm

1. Test enviroment

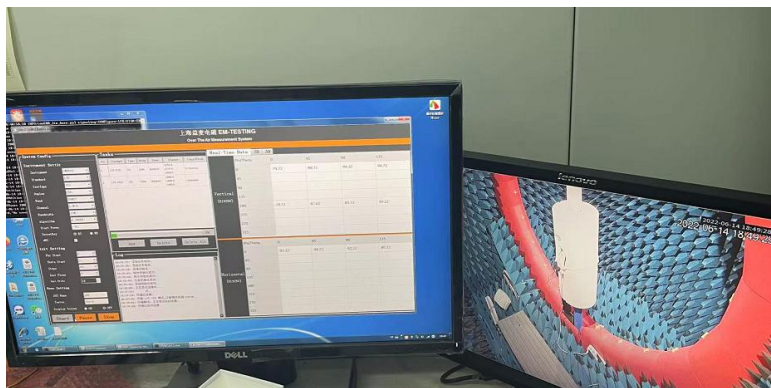
Satimo 24探头



CMW500



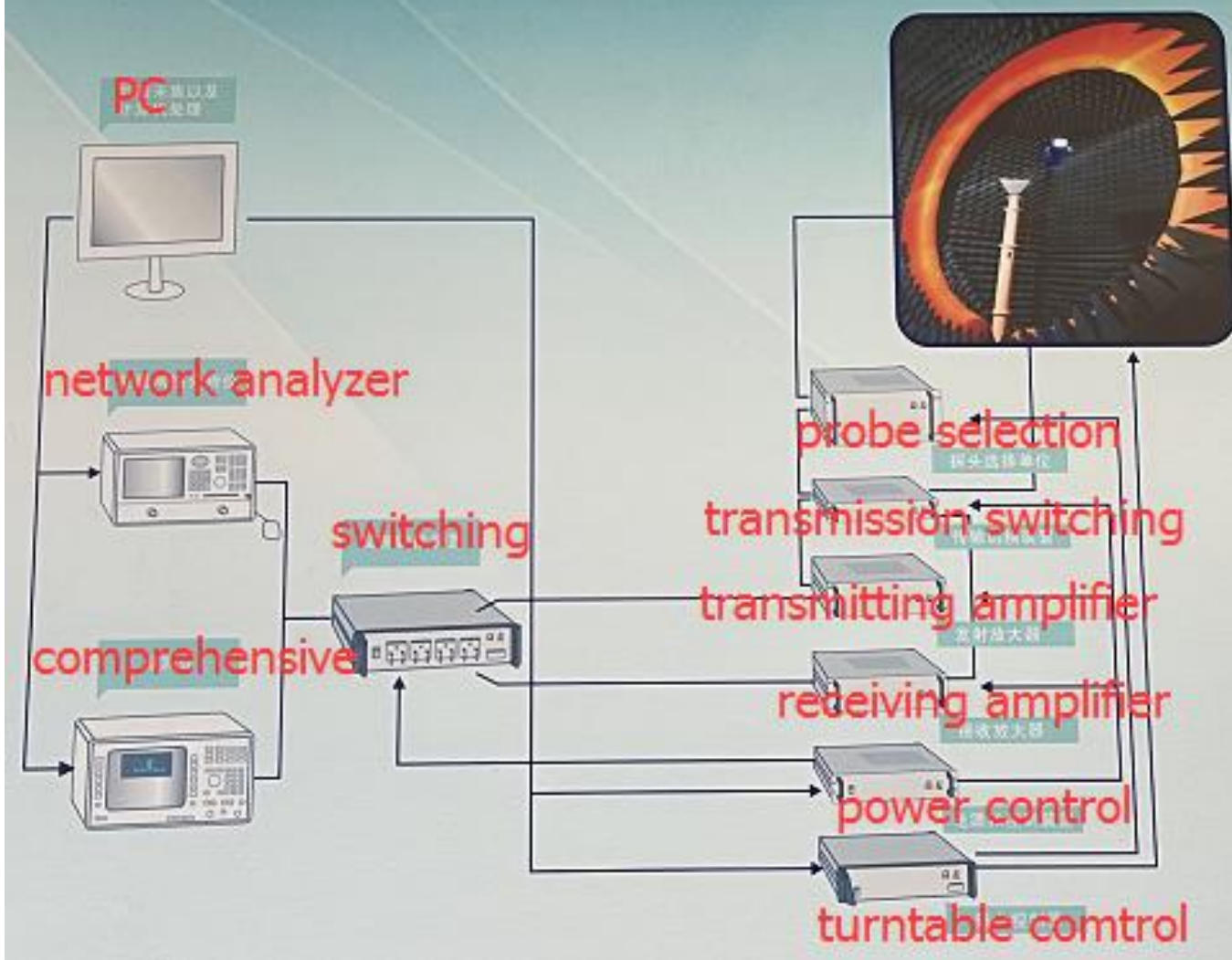
PC



益麦电磁



24探头球面近场天线测量系统



OTA A配置

LTE	Channels (Power / Sensitivity)	Test BW	TRP (dBm)	TIS (dBm)
Band1	L	10MHz	17.68	
	M	10MHz	17.16	
	H	10MHz	17.74	-90.39
Band3	L	10MHz	18.53	
	M	10MHz	18.79	
	H	10MHz	18.8	-91.85
Band5	L	10MHz	17.22	
	M	10MHz	16.67	
	H	10MHz	17.15	-91.25
Band7	L	10MHz	16.89	
	M	10MHz	16.97	
	H	10MHz	17.02	-90.81
Band8	L	10MHz	16.98	
	M	10MHz	16.56	
	H	10MHz	15.93	-89.06
Band20	L	10MHz	16.39	
	M	10MHz	16.32	
	H	10MHz	16.09	-92.23
Band38	L	20MHz	17.1	
	M	20MHz	17.89	
	H	20MHz	18.22	-91.52
Band40	L	20MHz	17.55	
	M	20MHz	17.88	
	H	20MHz	16.73	-89.72
Band41	L	20MHz	16.9	
	M	20MHz	17.08	
	H	20MHz	17.99	-91.98

GSM	TRP (dBm)	TIS (dBm)
GSM850	25.76	
	25.69	
	25.61	-100.01
GSM900	25.76	
	25.86	
	25.61	-99.68
DCS	24.6	
	24.72	
	25.4	-102.53
PCS	24.82	
	24.32	
	24.5	-103.15

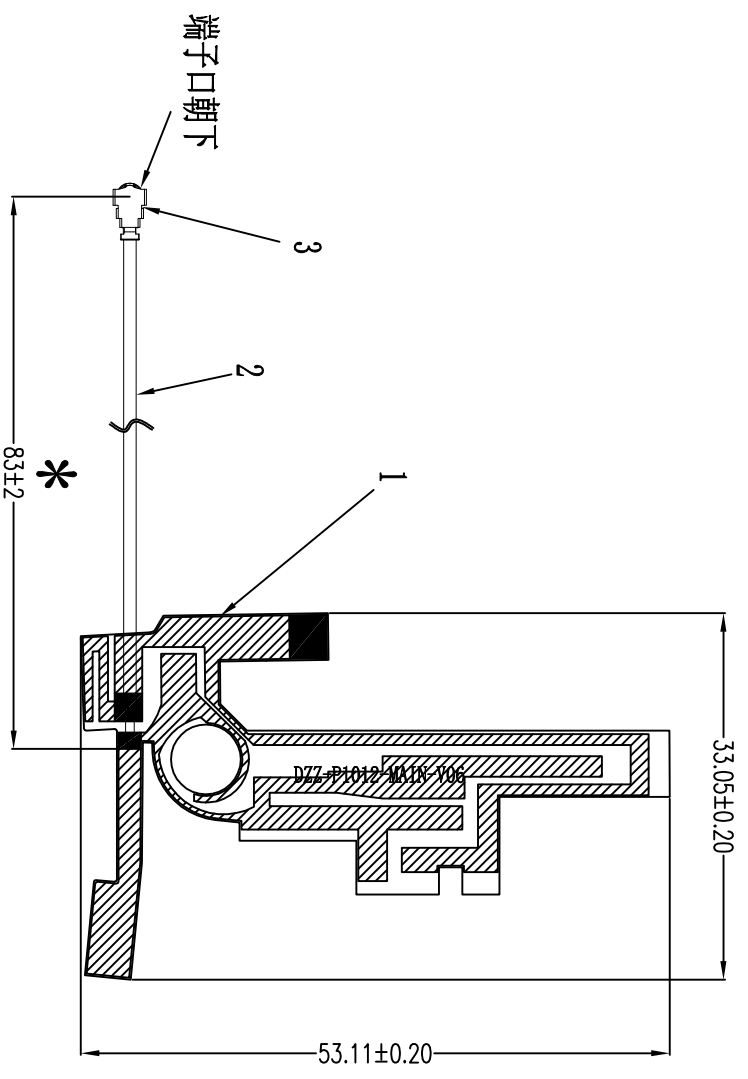
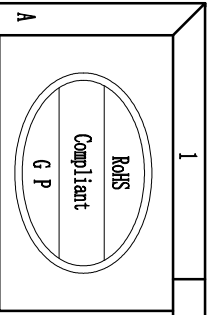
WCDMA	TRP (dBm)	TIS (dBm)
W1	17.43	
	17.8	
	18.08	-105.06
W8	17.32	
	17.19	
	16.48	-103.35

OTA B配置

LTE	Channels (Power / Sensitivity)	Test BW	TRP (dBm)	TIS (dBm)
Band1	L	10MHz	16.97	
	M	10MHz	17.63	
	H	10MHz	17.8	-90.08
Band2	L	10MHz	17	
	M	10MHz	17.81	
	H	10MHz	17.11	-90.27
Band3	L	10MHz	18.71	
	M	10MHz	18.49	
	H	10MHz	18.9	-91.44
Band4	L	10MHz	18.17	
	M	10MHz	18.53	
	H	10MHz	18.75	-91.77
Band5	L	10MHz	17.86	
	M	10MHz	17.89	
	H	10MHz	17.22	-91.93
Band7	L	10MHz	16.29	
	M	10MHz	16.97	
	H	10MHz	17.15	-90.78
Band12	L	10MHz	15.71	
	M	10MHz	16.12	
	H	10MHz	16.14	-91.23
Band17	L	10MHz	16.26	
	M	10MHz	16.33	
	H	10MHz	16.3	-90.57
Band25	L	10MHz	17.6	
	M	10MHz	17.15	
	H	10MHz	17.26	-90.5
Band26	L	10MHz	17.07	
	M	10MHz	17.65	
	H	10MHz	17.72	-90.16
Band28	L	10MHz	15.87	
	M	10MHz	16.03	
	H	10MHz	16.09	-91.29
Band38	L	20MHz	16.1	
	M	20MHz	16.77	
	H	20MHz	17.57	-90.75
Band41	L	20MHz	16.31	
	M	20MHz	16.55	
	H	20MHz	17.25	-91.96

GSM	TRP (dBm)	TIS (dBm)
GSM850	26.99	
	26.63	
	26.31	-100.35
GSM900	26.02	
	25.9	
	26.19	-100.04
DCS	24.15	
	24.14	
	25.17	-102.92
PCS	25.51	
	24.92	
	24.54	-103.51

WCDMA	TRP (dBm)	TIS (dBm)
W1	17.75	
	18.18	
	18.33	-105.96
W2	18.85	
	18.74	
	18.10	-105.87
W4	18.49	
	18.10	
	18.61	-106.39
W5	17.03	
	17.44	
	17.11	-103.81
W8	17.05	
	17.58	
	17.16	-103.19



No.	Name	Material	Color	Treatment	Amount	Remark
3	端子头	四代端子	金色		1	
2	射频线	∅0.81同轴线	黑色		1	
1	MAIN	FPC	黑色		1	

备注:
 1. 标注"*"为重点尺寸, 未标公差尺寸按照±0.15检测
 2. 未标注尺寸请依图纸。
 3. 符合ROHS
 4. 出货方式: 单片出货

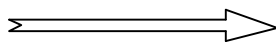
Rev	Description	Date	Remark
1	New drawing		

Third Angle		深圳得自在科技有限公司 SHEN ZHEN Be Comfortable CO., LTD	
Project	P1012	Date	2022.8.25
Part Name	MAIN	Designed by	
Part No.	NI2-7196-ROA	Checked by	MD 田进
Material	N/A	RF	边博
DWG No.		Approved by	
Location	40~	Unit	mm
	±0.05	Scale	1:1
	±0.10	Rev	A
	±0.10		
	±0.12		
	±0.15		
	±0.20		
	Angle		
	±0.5°		

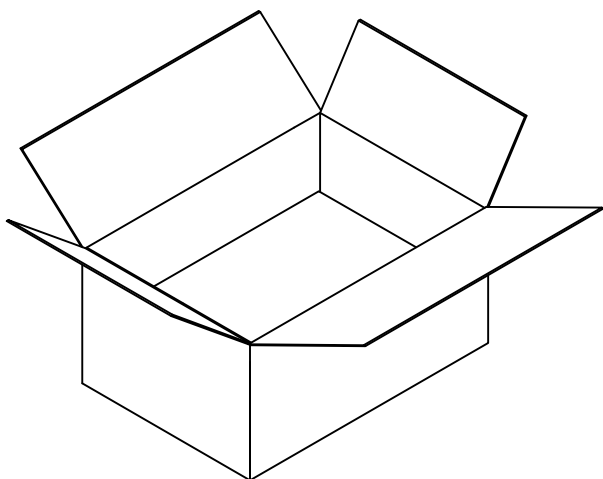
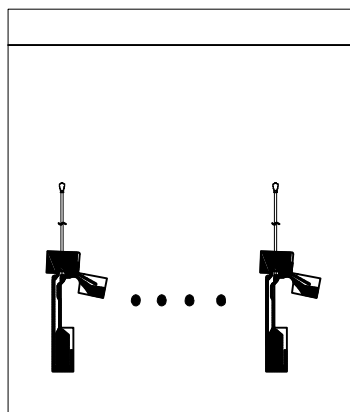
产品包装规范

成品类型: 主天线	版本: A
	客户:

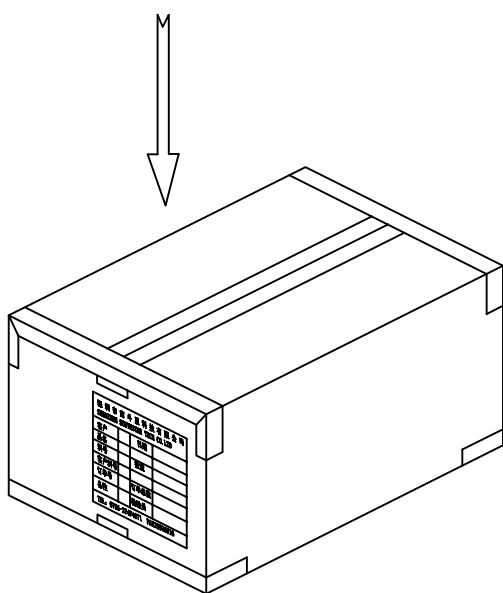
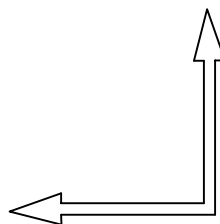
一: 成品天线



二: 用自封袋包装, 一袋装30pcs.



三: 装一箱, 一箱装15000PCS (以实际包装为准)



四: 封箱, 外箱贴我司生产标签和 ROHS标签.

由 Autodesk 教育版产品制作

由 Autodesk 教育版产品制作

批准: _____

确认: _____ 拟制: _____

田进