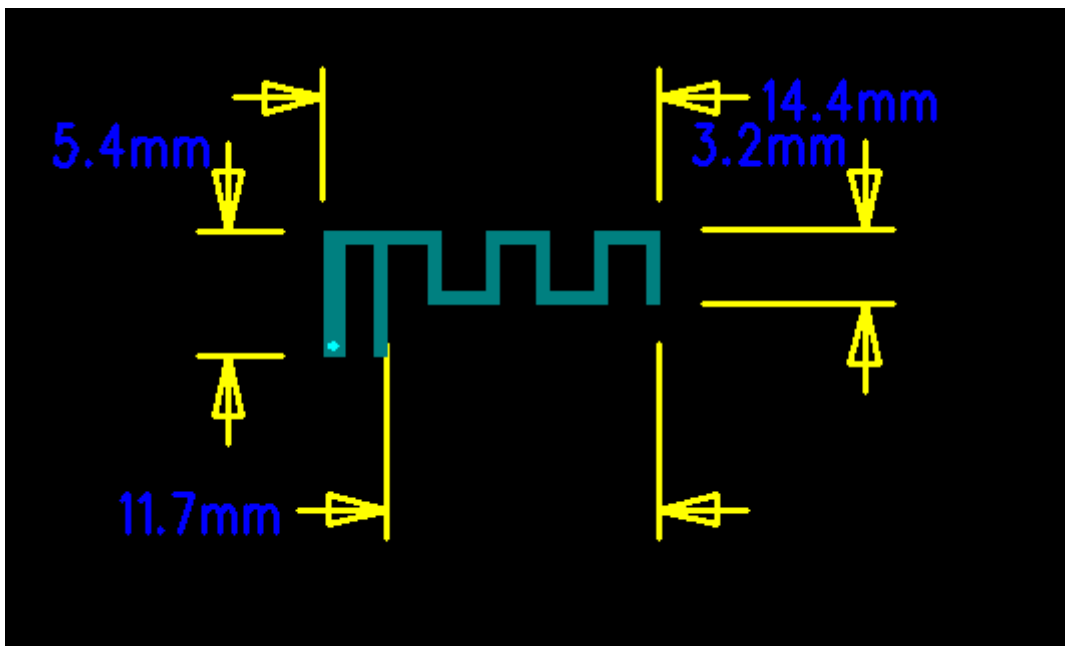


## Inverted F Antenna Specification

### Summary

ITEM	ANT SPEC					
Model Name	2.4G ANT					
Center Frequency	Horizontal			Vertical		
	2400MHz	2400MHz	2500MHz	2400MHz	2400MHz	2500MHz
	-1.26	-0.76	-0.58	-5.25	-2.46	-1.86
MAX. Gain	-0.58 dBi					
Polarization	Horizontal and Vertical					
Azimuth Beam Pattern	Omni-directional					
Impedance	50 Ohm					
Antenna Length	34.70mm					
Manufacture	ZHUHAI JIELI TECHNOLOGY CO.,LTD					

### Antenna Photo & Length (mm)



Horizontal: 2400 MHz 2450 MHz 2500 MHz

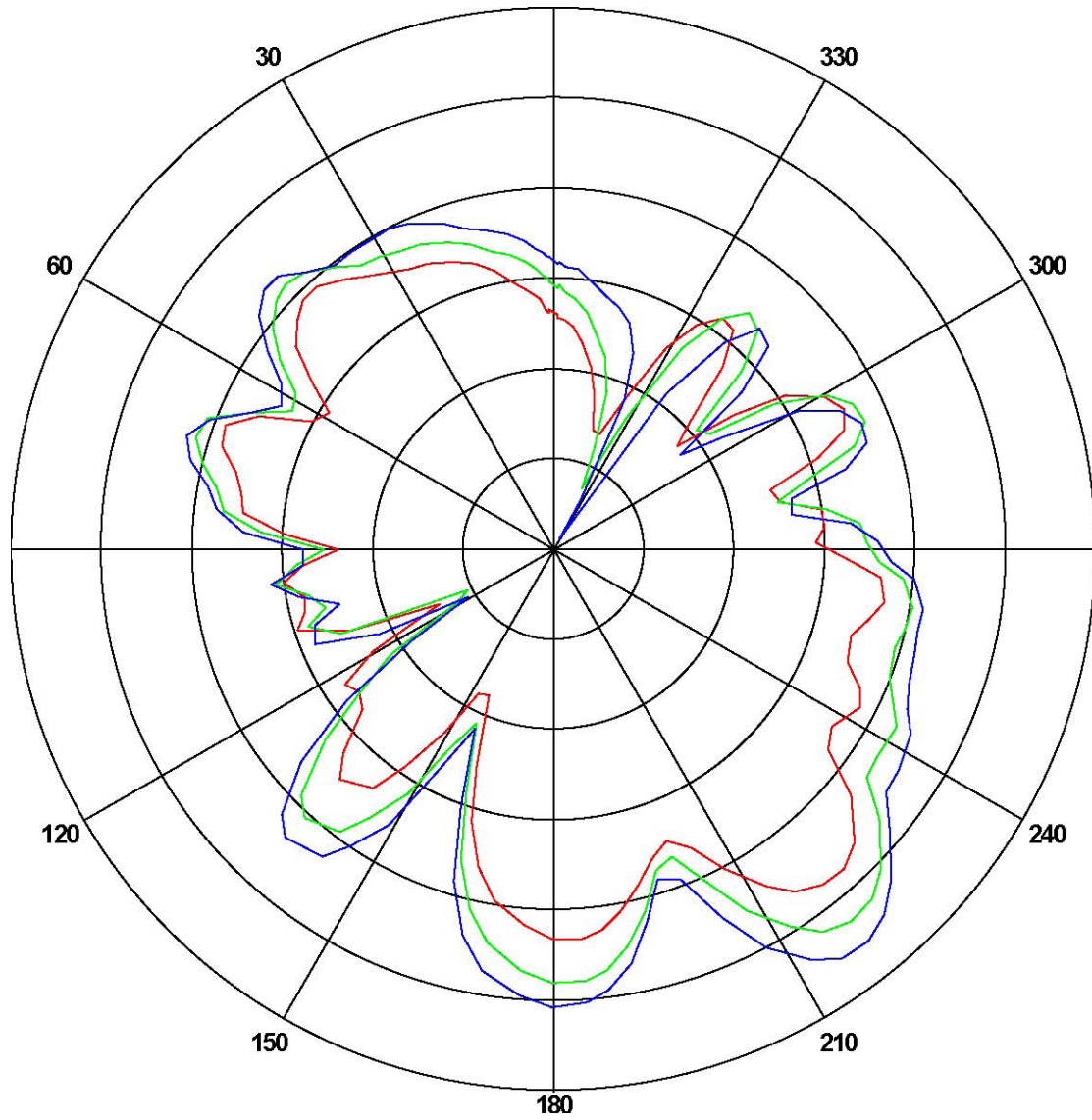
Power (dBm)

Max: 0 Min: -40 Scale: 5/div



Frequency (MHz)	Gain(dB)		
	Max	Min	Avg
2400	-1.26162	-30.0805	-7.18720
2450	-0.765816	-36.5603	-7.48016
2500	-0.585575	-22.0319	-6.59131

Vertical: 2400 MHz 2450 MHz 2500 MHz  
 Power (dBm)  
 Max: 0 Min: -30 Scale: 5/div



Frequency (MHz)	Gain(dB)		
	Max	Min	Avg
2400	-5.2528	-22.1422	-12.4287
2450	-2.4647	-24.5831	-10.4709
2500	-1.86115	-29.5216	-9.20431

ANT Test Labs: Attestation of Global Compliance Co., Ltd.