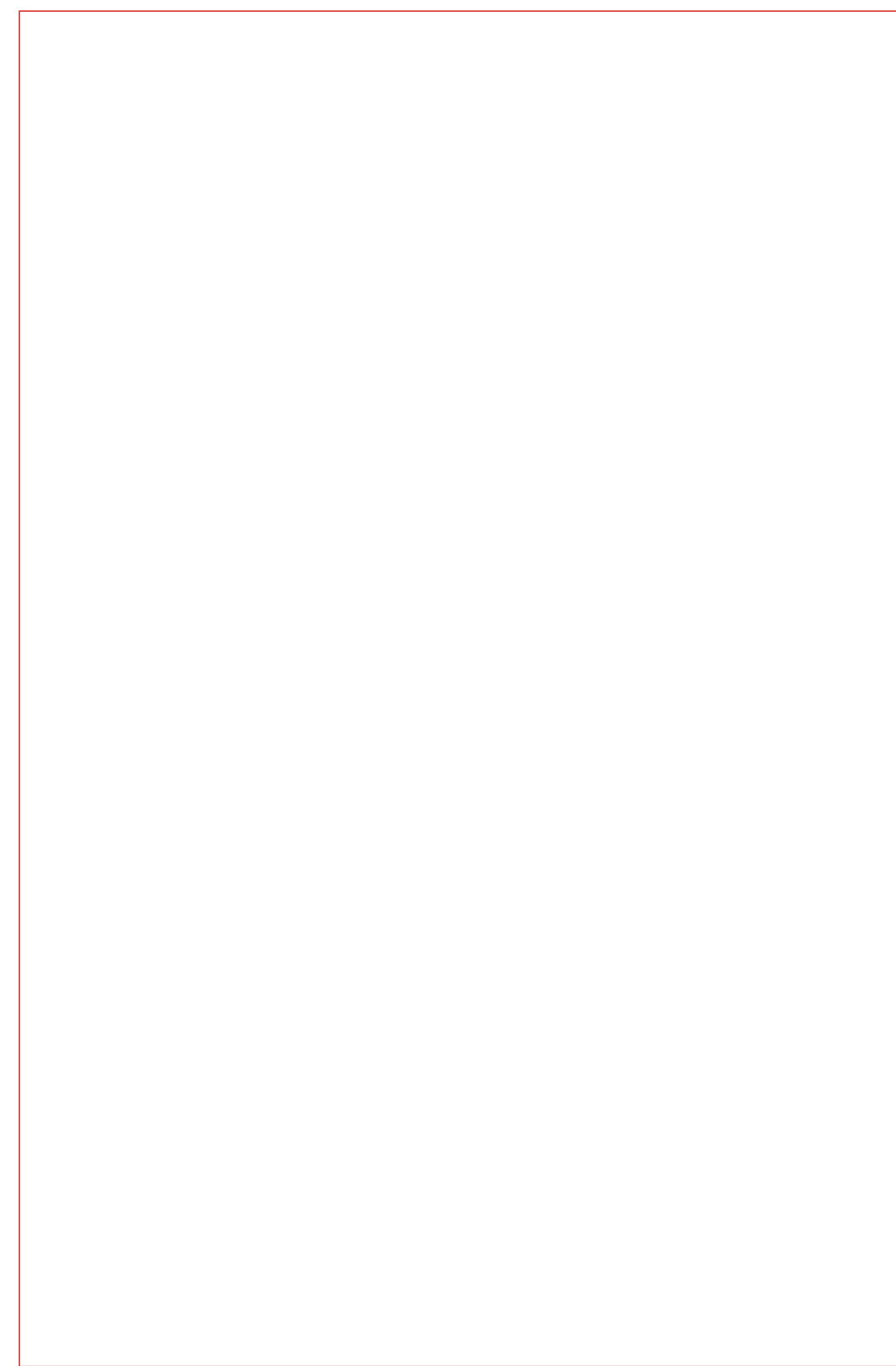


P1



P2

Table of Contents

What's In the Box.....4

Important Safety Instructions.....4

Best Placement for 5.1 Home Theater System.....5

Set Up Center & Front & Rear Speakers.....6

Front Panel of Subwoofer.....7

Back Panel of Subwoofer.....8

Remote Control Function.....9

Composite Connection(Getting Started).....10

-Connect a device by wireless BT.....10

-Connect a device with a TV ARC cable.....11

-Connect a device with Optical cable.....11

-Connect a device with Coaxial cable.....11

-Connect a device with 2RCA M/M Stereo Audio cable.....12

-Connect a device with 3.5mm to 2-Male RCA Audio Stereo cable.....12

-Connect a device with 3RCA Video Audio cable.....12

-Connect with Antenna for FM radio.....13

-Playing with USB/SD.....13

-Connect microphone.....13

Product Specifications.....14

Need Help.....14

Certification.....15

P3

Introduction

Thank you for purchasing the Bobtot 5.1 Channel Home Theater System. We encourage you to read this instruction guide before using and retain this for future reference. Also, please inspect the package contents and ensure there are no missing or damaged parts.

What's In the Box

- 1) Subwoofer with Built-in Receiver
- 2) Center Channel Speaker
- 3) 2 * Front Channel Speakers
- 4) 2 * Rear Channel Speakers
- 5) 3 * RCA Video Audio Cable
- 6) 1 * Full Function Remote
- 7) TV ARC Cable
- 8) Optical Stereo Cable
- 9) Coaxial Cable
- 10) 3.5mm to 2-Male RCA Audio Stereo Cable
- 11) FM Antenna Cable
- 12) Quick Setup Guide

IMPORTANT SAFETY INSTRUCTIONS

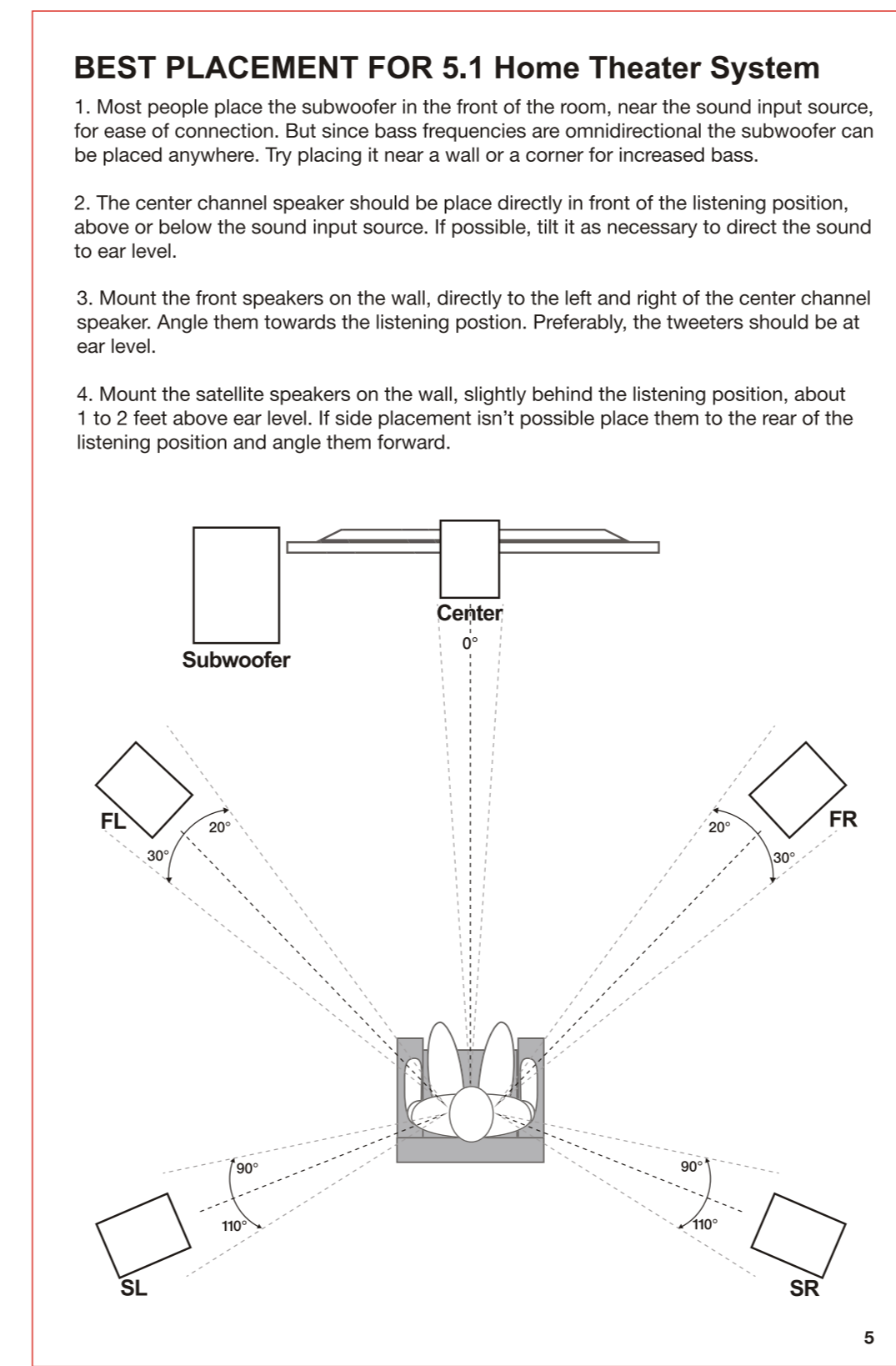
TO REDUCE THE RISK OF ELECTRICAL SHOCK, DO NOT REMOVE AMPLIFIER PLATE. NO USER SERVICEABLE PARTS INSIDE. WE RECOMMEND TAKING THE UNIT TO A QUALIFIED SERVICE TECHNICIAN FOR ANY REPAIRS.

Read the following safety instructions before operating your home theater system.

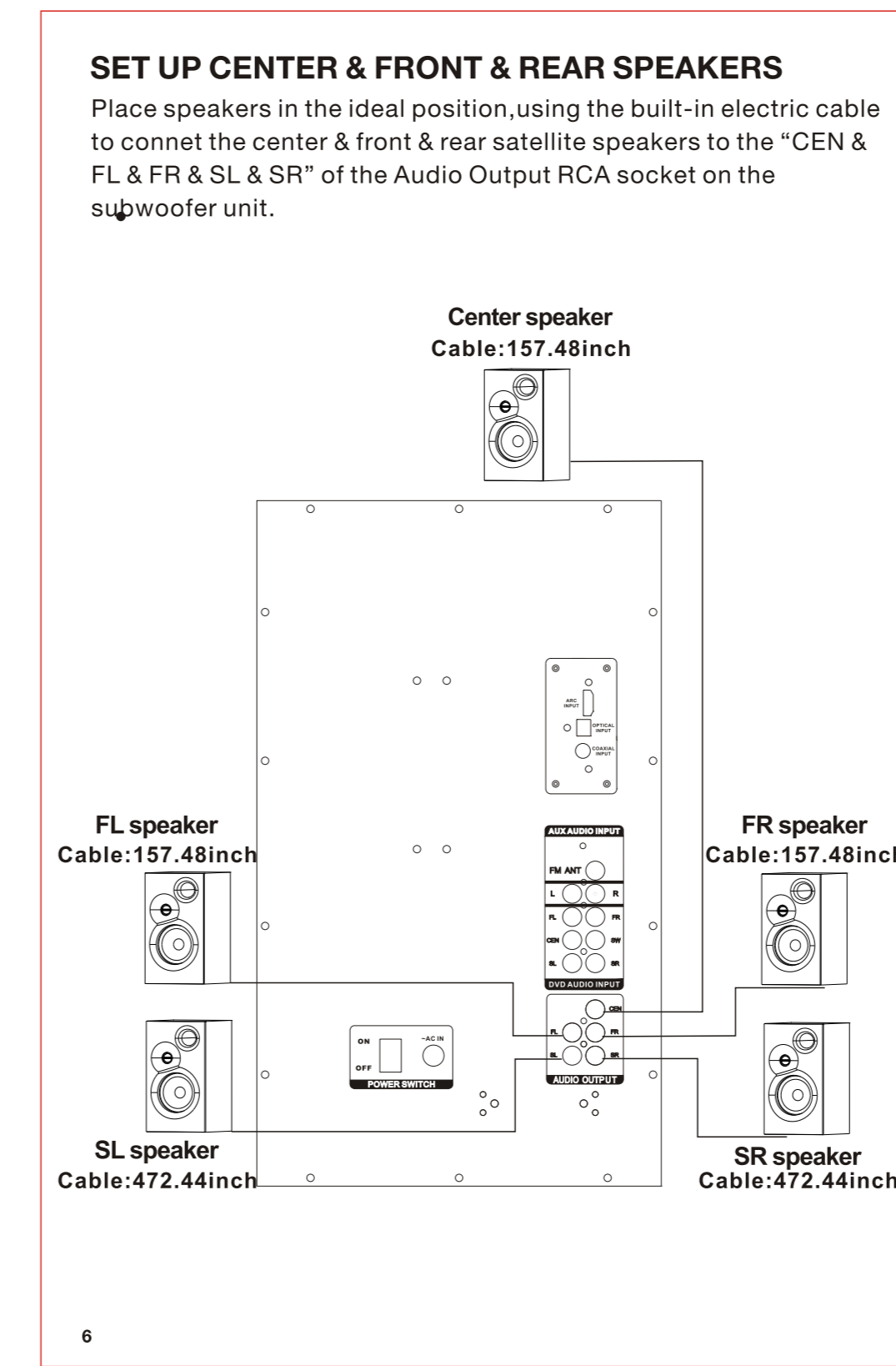
- Do not place these speakers on an unstable surface. The speaker may fall over, causing serious injury to a child or adult and serious damage to the unit.
- The speakers should be situated away from heat sources such as radiators, heat registers, stoves, or other devices that produce heat.
- Please use under specified voltage(120V/60Hz). Any other voltage than the specified voltage may cause fire or electric shock.
- To reduce the risk of electric shock or component damage, unplug the power before moving your speakers or connecting other components to your device.
- Clean only with a soft dry cloth. Unplug the main unit from the wall outlet before cleaning.

CAUTION: Always use a power outlet that is properly grounded.

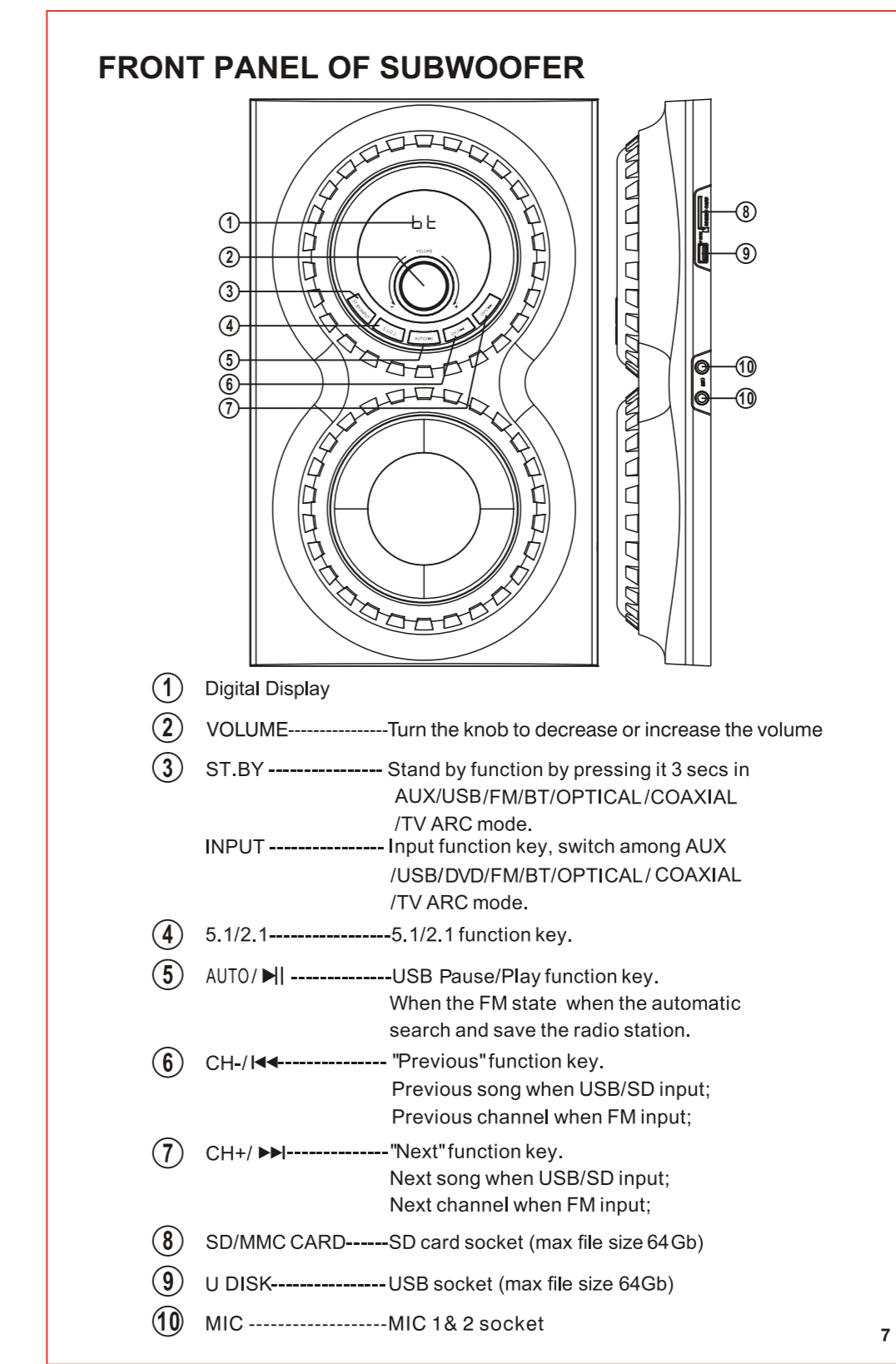
P4



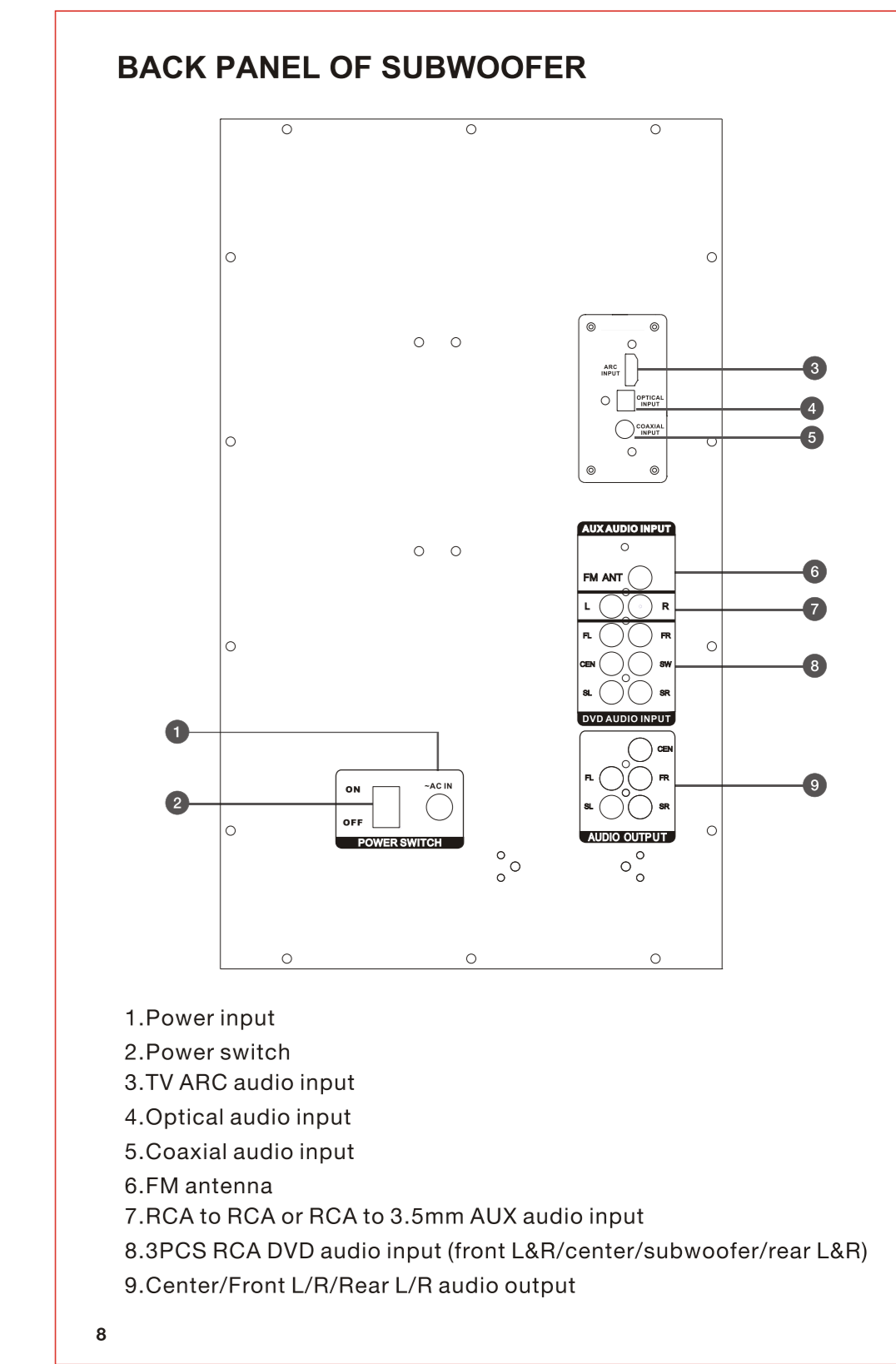
P5



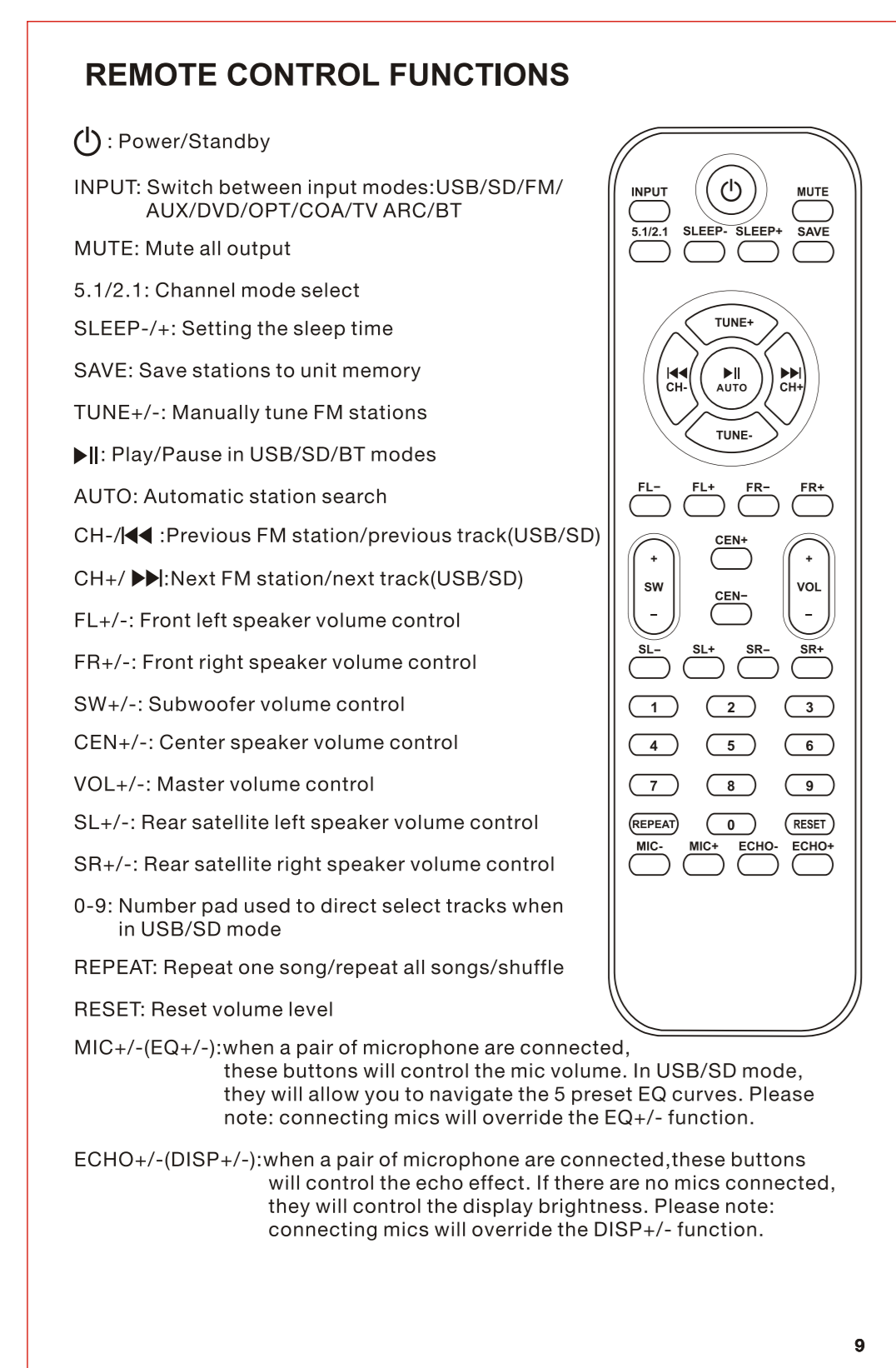
P6



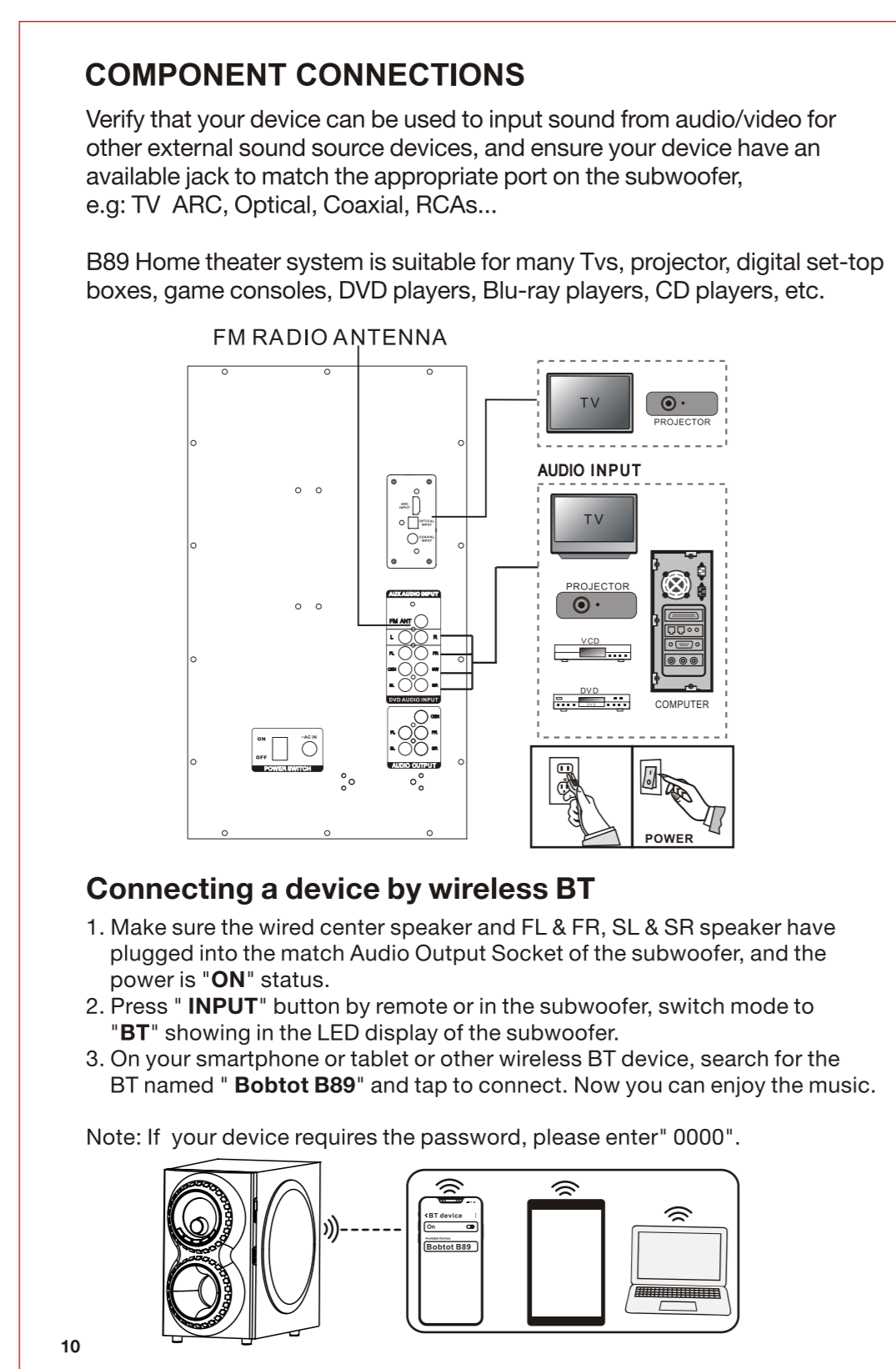
P7



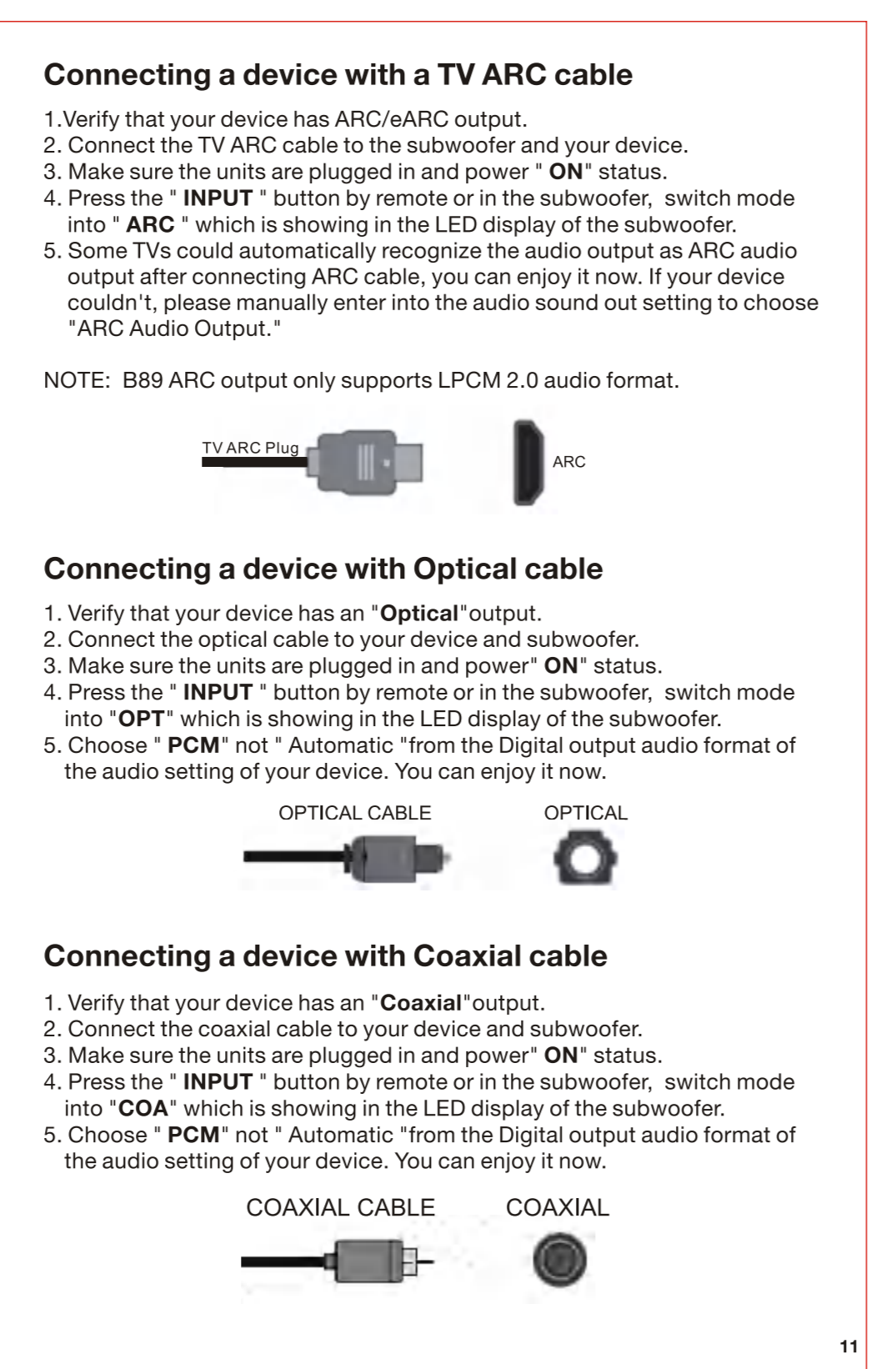
P8



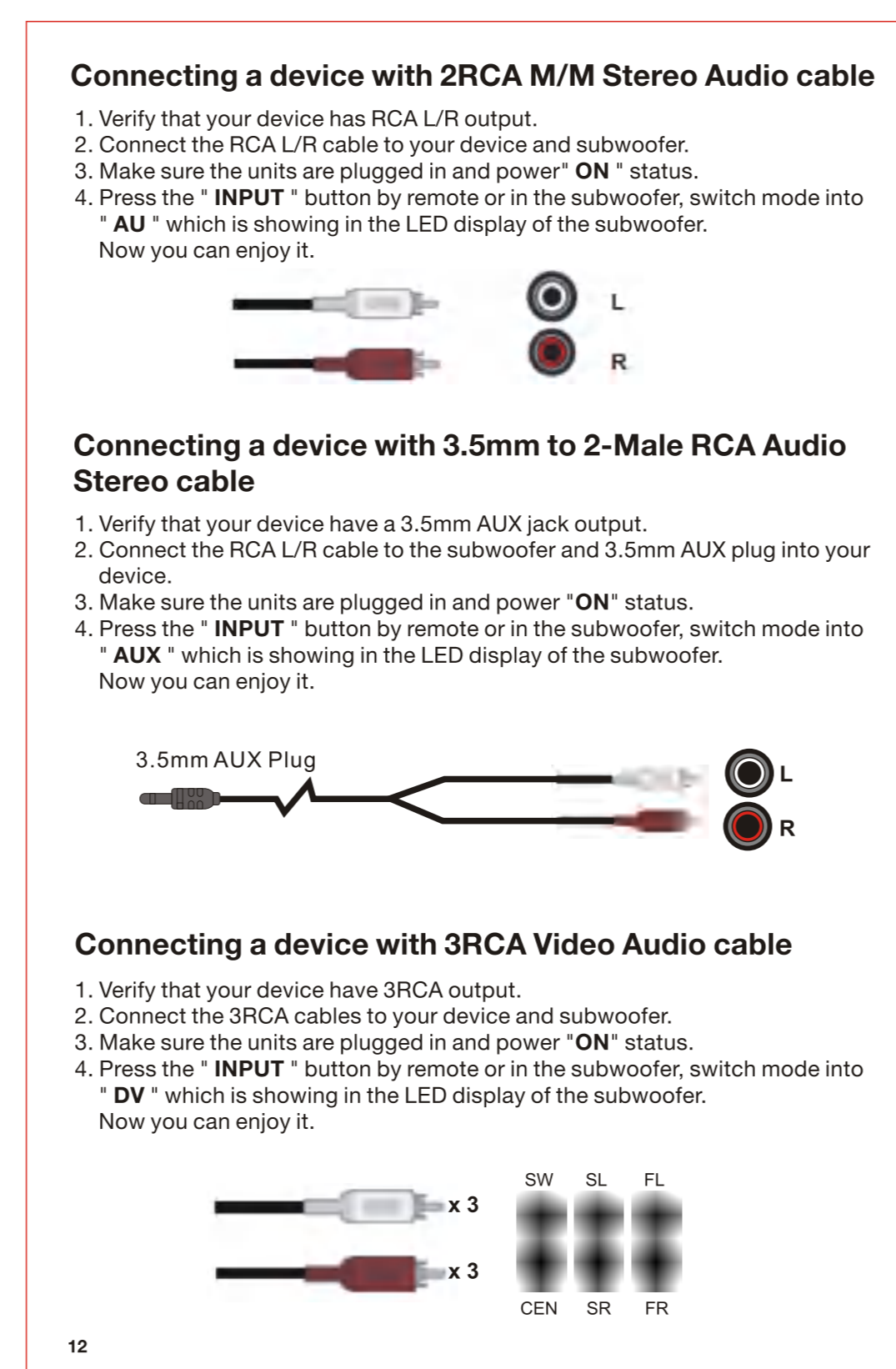
P9



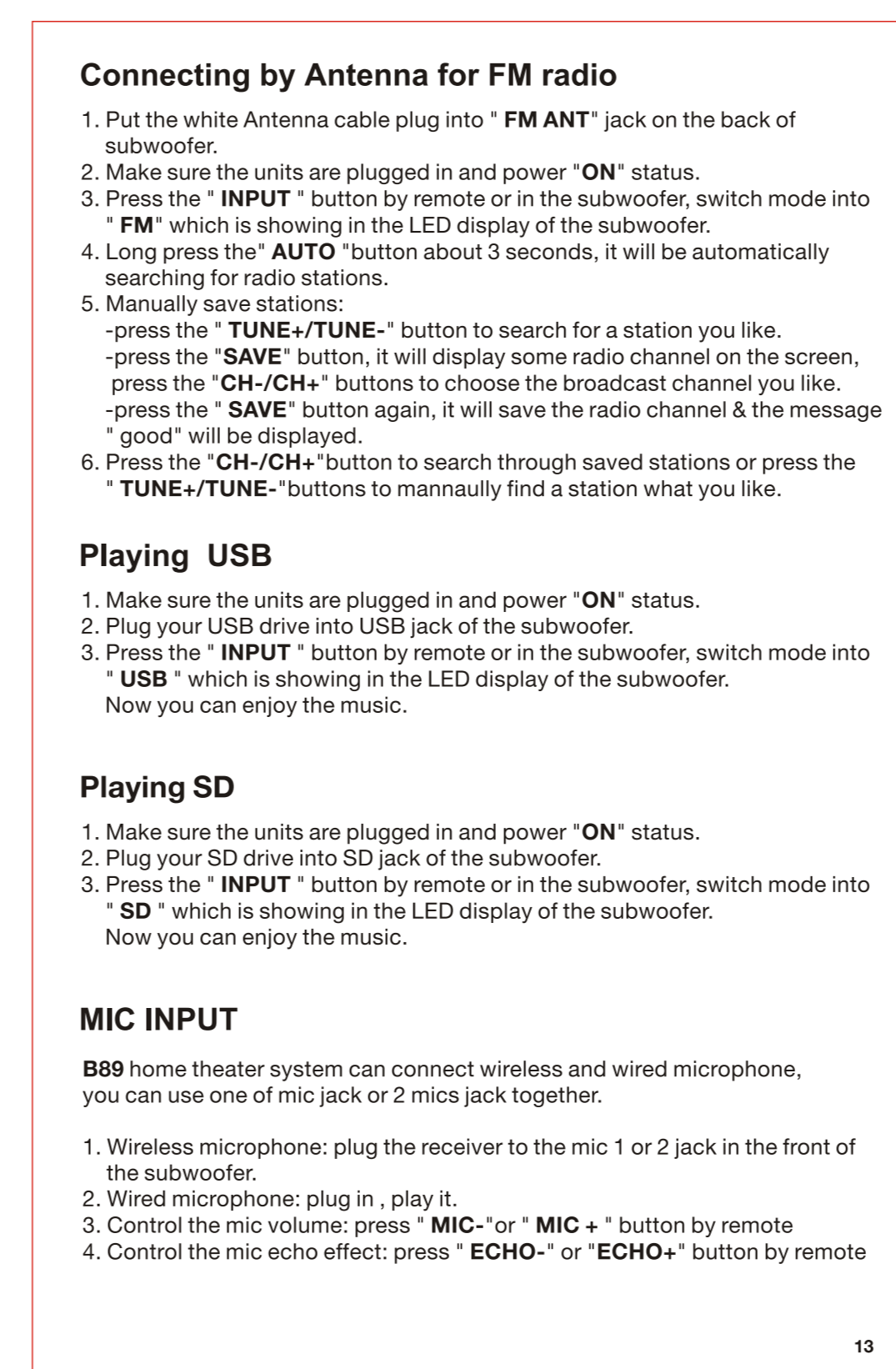
P10



P11



P12



P13

Product Specifications

- 5.1 Channel Home Theater System
- 1400 Watts Peak Power
- 600 Watts Program Power
- 250 Watts Continuous RMS Power
- BT Version: S3+EDR
- Input Voltage: AC 120V/60Hz
- System Impedance: 12"; 80mm /4" driver: 4 Ohm /1" driver: 4 Ohm
- Frequency Response: 20Hz - 20kHz
- Amplifier: Class AB, very efficient amplifier with top components
- Signal to Noise Ratio: >70dB (Maximum output with THD+1<1%)
- Cable Length(Built-in): Front L/R Speaker: 157.48inch; Center Speaker: 157.48inch; Rear L/R Speaker: 472.44inch.
- Subwoofer Size: (W*D*H) 10.62" x 18.89" x 17.32"
- Front L/R Satellite Speaker Size: (W*D*H) 5.90" x 6.88" x 10.31"
- Center Satellite Speaker Size: (W*D*H) 5.90" x 6.88" x 10.31"
- Rear L/R Satellite Speaker Size: (W*D*H) 5.90" x 6.88" x 10.31"

Need Help ?

Customer Care Guide

At our company, we strive to provide exceptional customer care to every one of our clients. We believe that building strong relationships with our customers is essential to the success of our business. To help us achieve this goal, we have put together the following customer care guide.

Time

We understand that our customers' time is valuable, so we will respond to any inquiries within 24 hours.

Feedback

We know that our customers are the heart of our business so we value your feedback. We encourage you to share your thoughts and ideas with us.

Solutions

If our customers encounter any issues, we will try our best to find a quick and efficient solution that meets your needs. Here at Bobtot, we take customer care very seriously. Our customers are our first priority, and we are committed to providing the highest quality services. If you have any questions or concerns, please don't hesitate to reach out to us. We will be happy to assist you!

Call or Message: +1 (888) 672-1718
Email: service@bobtot.net

P14

Certification

FCC Warning

This device complies with part 15 of the FCC Rules. Operation is subject to the following two conditions:

- (1) This device may not cause harmful interference, and
- (2) This device must accept any interference received, including interference that may cause undesired operation.

Any changes or modifications not expressly approved by the party responsible for compliance could void the user's authority to operate the equipment.

Note: This equipment has been tested and found to comply with the limits for a Class B digital device, pursuant to part 15 of the FCC Rules. These limits are designed to provide reasonable protection against harmful interference in a residential installation. This equipment generates uses and can radiate radio frequency energy and, if not installed and used in accordance with the instructions, may cause harmful interference to radio communications. However, there is no guarantee that interference will not occur in a particular installation. If this equipment does cause harmful interference to radio or television reception, which can be determined by turning the equipment off and on, the user is encouraged to try to correct the interference by one or more of the following measures:

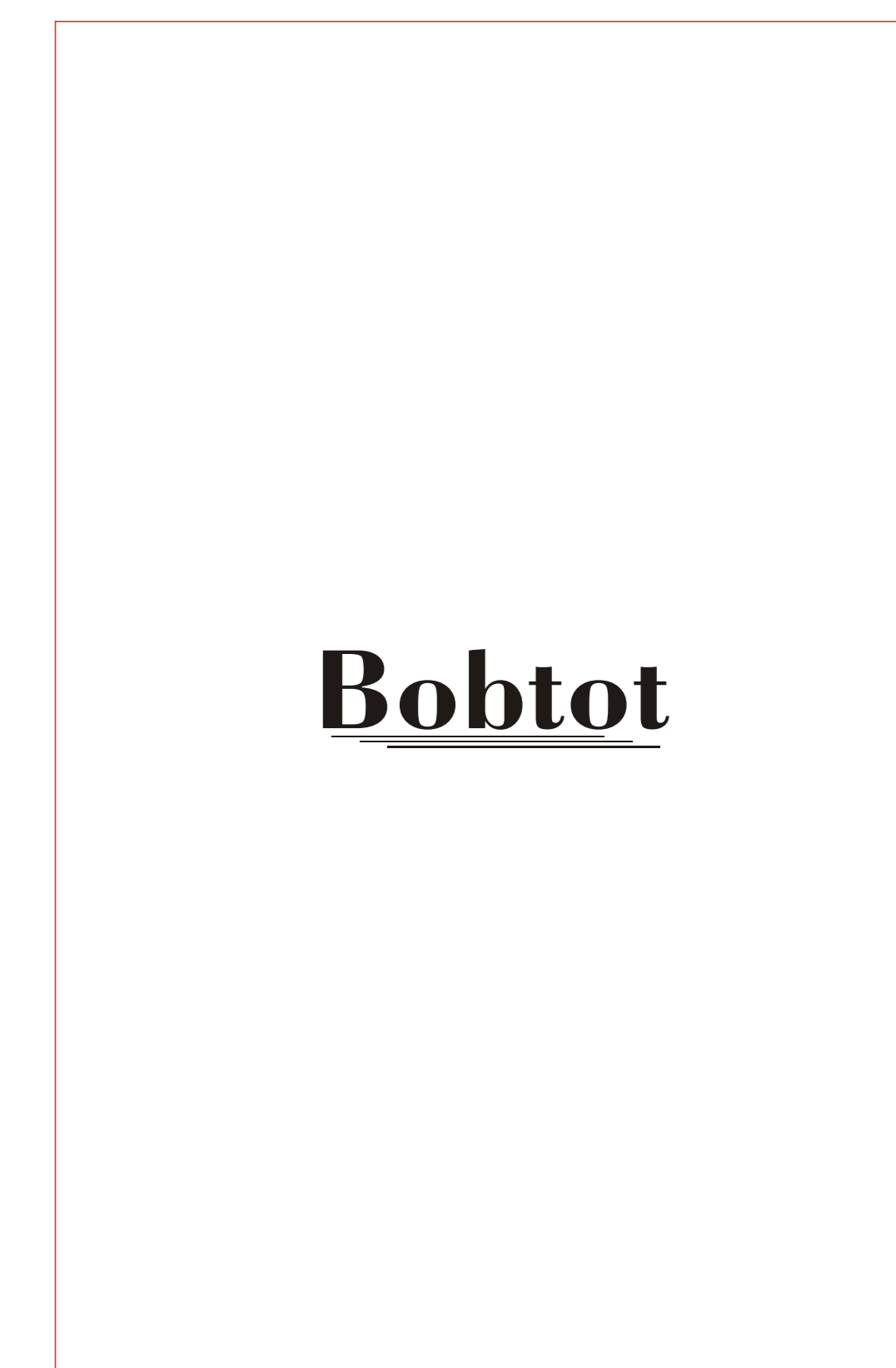
- Reorient or relocate the receiving antenna.
- Increase the separation between the equipment and receiver.
- Connect the equipment into an outlet on a circuit different from that which the receiver is connected.
- Consult the dealer or an experienced radio/TV technician for help.

This equipment complies with FCC radiation exposure limits set forth for an uncontrolled environment. This equipment should be installed and operated with minimum distance 20cm between the radiator & your body.

bobtot.net

©2023 BOBTOT // Features and specifications are subject to change and/or improvement without notice.

P15



P16

说明: 尺寸: 140x215mm
材质: 128G铜版纸 四色双面印刷 8张装订本

说明: 尺寸: 140x215mm
材质: 128G铜版纸 四色双面印刷 8张装订本

说明: 尺寸: 140x215mm
材质: 128G铜版纸 四色双面印刷 8张装订本

说明: 尺寸: 140x215mm
材质: 128G铜版纸 四色双面印刷 8张装订本