

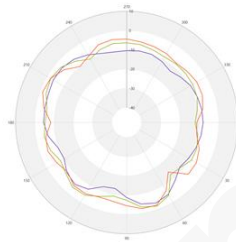
## ALX23P-051AA0-00

## Features

- Single band IEEE 802.11 b/g/n/ax standard
- 2.4GHz indoor embedded Omni-directional antenna
- High efficiency and quick integration with MHF compatible connector mounting
- Available in customized cable lengths and connectors

## Applications

- Monitors

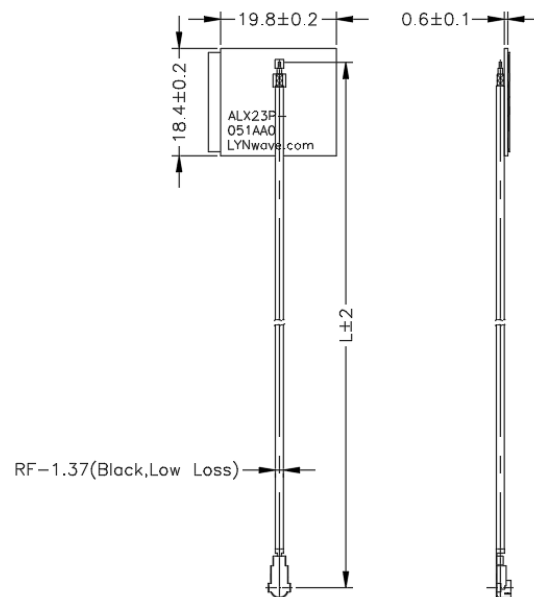


## Electrical Specification

Category	Specification
Frequency (MHz)	2400 - 2500
Peak Gain (dBi)	3.0
VSWR	2.0 : 1
Polarization	Linear
Power (Watts)	1
Impedance (Ohms)	50
Type	DIPOLE

## Mechanical Specification

Category	Specification
Dimension (mm)	19.8 x 18.4
Thickness (mm)	0.6
Weight (g)	TBD
Connector	IPEX
Cable	Low Loss RF-1.37
Cable Length (mm)	82
Material	PCB (FR4)
Operating Temp (°C)	-40°C ~ +85°C
Storage Temp (°C)	23 ± 5°C
Storage Humidity (%)	30% ~ 70%



LYNwave Technology Ltd.  
5F., No. 655, Xuecheng Rd., Shulin Dist.,  
New Taipei City,  
238701, Taiwan

Website: [www.lynwave.com](http://www.lynwave.com)  
Tel: +886 2 3501 8700  
Email: [service@lynwave.com](mailto:service@lynwave.com)

