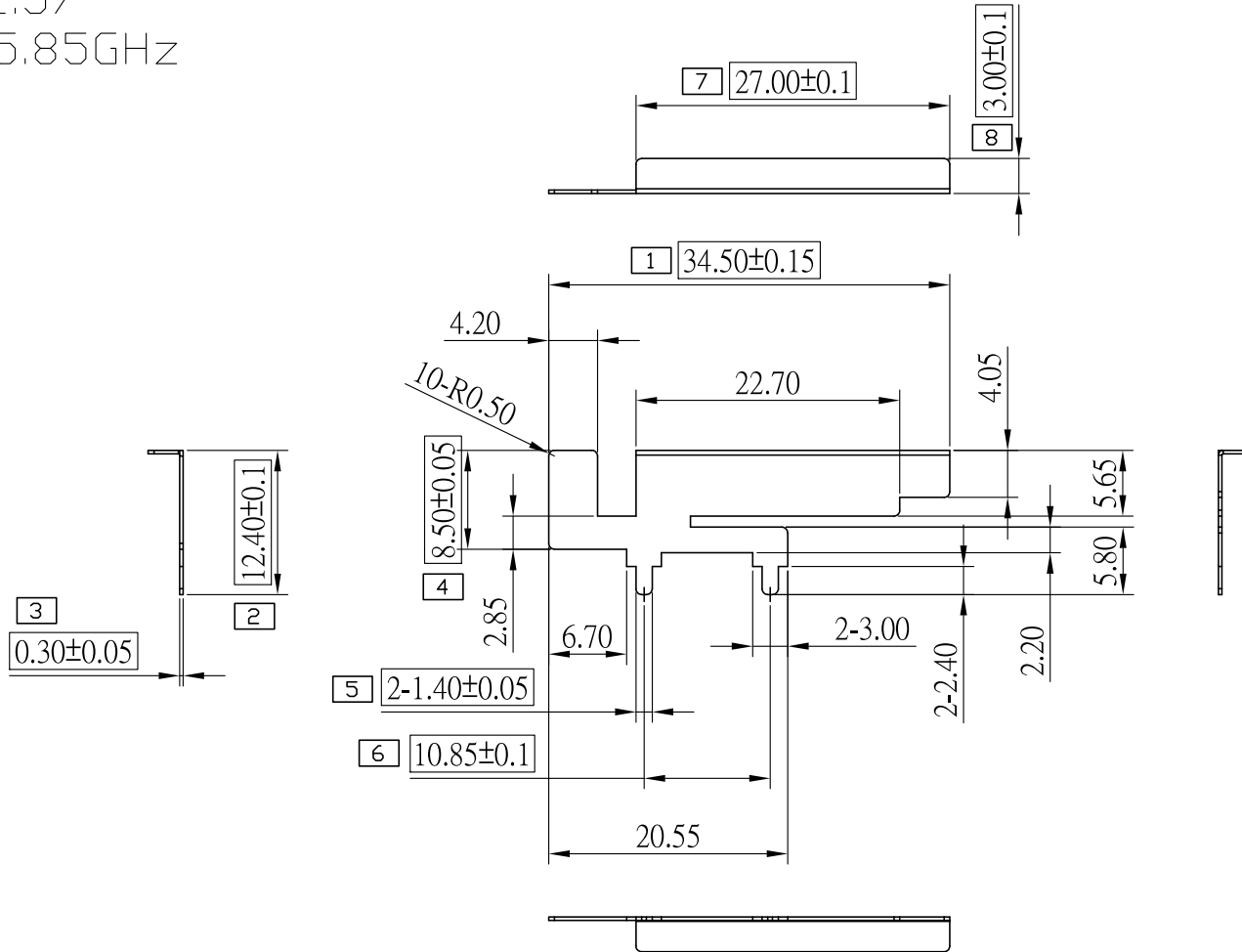
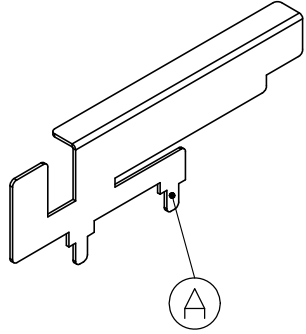


THIS SHEET OF ENGINEERING DRAWING IS THE PROPRIETARY PROPERTY OF INPAQ AND CONTAINS CONFIDENTIAL AND TRADE SECRET INFORMATION. THIS SHEET MAY NOT BE TRANSFERRED FROM THE CUSTODY OF THE COMPETENT DIVISION OF R&D DEPARTMENT EXCEPT AS AUTHORIZED BY INPAQ

Reversion	Engineering Change Description	Date	Owner
▲	New drawing release	2022/09/21	SHLEE

ELECTRICAL

Frequency :2.4~2.5/
5.15~5.85GHz



※標記□記號者, 為重點檢驗尺寸

SELECT	V			
SPEC. CLASS	A	B	C	D
< 6mm	0.05	0.1	0.2	0.5
6~30mm	0.08	0.2	0.5	1.5
30~120mm	0.12	0.3	0.8	2.0
120~315mm	0.25	0.5	1.2	3.0
315~1000mm	0.3	0.8	2.0	5.0
1000~2000mm	0.5	1.2	3.0	8.0
ANGLE	0.5			
MATERIAL:	SEE NOTE			
FINISH:				

CAD GENERATED DRAWING,
DO NOT MANUALLY UPDATE

DRAWN 劉采璇

CHECKED 詹惠雯

APPROVED 陳振榮

3RD ANGLE



禾邦电子(苏州)有限公司
INPAQ Technology Co.,Ltd.

SIZE
A4

RFMTA341200NNLB004

PART No.:	DWG.No.:
UNIT MM	SCALE: NA SHEET 1 OF 1

INDEX	A	Antenna	SUS430 ; T=0.3mm ; 先鍍鍍後沖	1
PARTS LIST				
PART NO.	DESCRIPTION		MATERIAL	QTY
A	Antenna		SUS430 ; T=0.3mm ; 先鍍鍍後沖	1