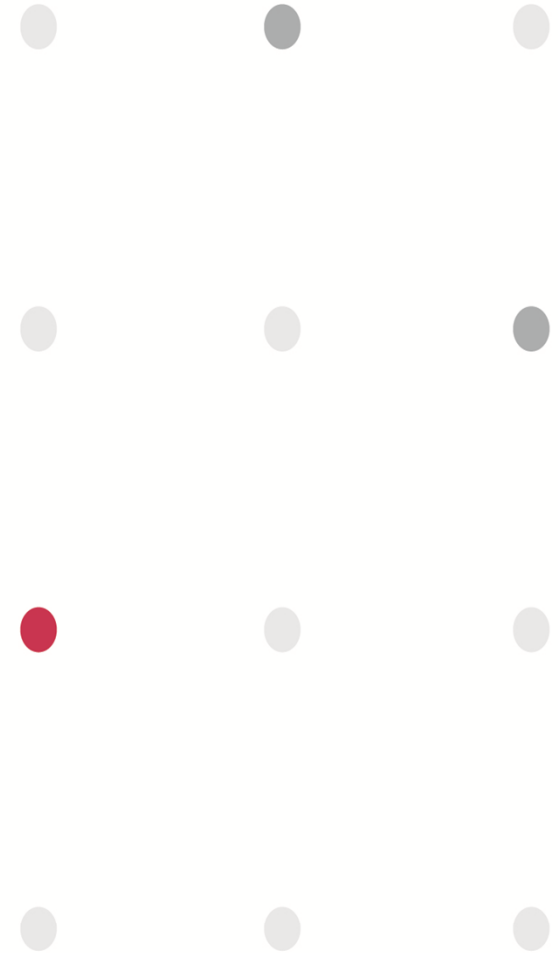


PSA

PASSIVE SYSTEM ALLIANCE
WALSIN TECHNOLOGY CORPORATION



美奇(彩富)_Doorbell NFC

Presented by

Jack Yeh

Walsin Technology Corporation

2022/ 07/ 18

OUTLINE

1. Mechanical Specification

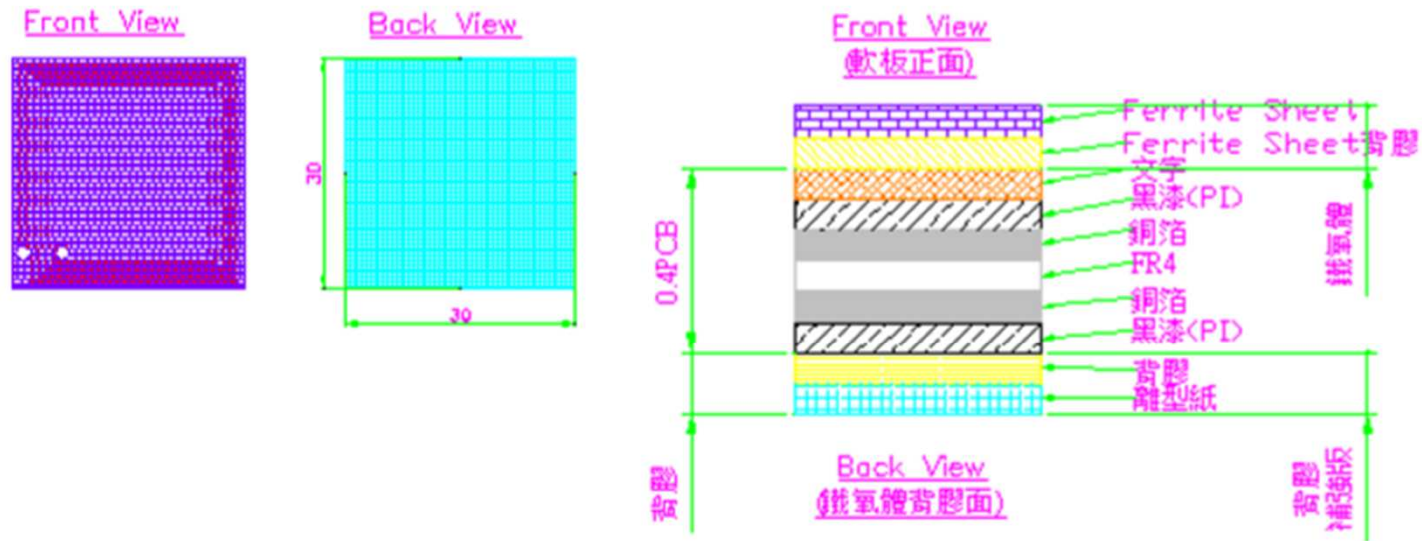
1.1 Experimental Setup

2. NFC Matching Circuit

3. Summary

1. Mechanical Specification

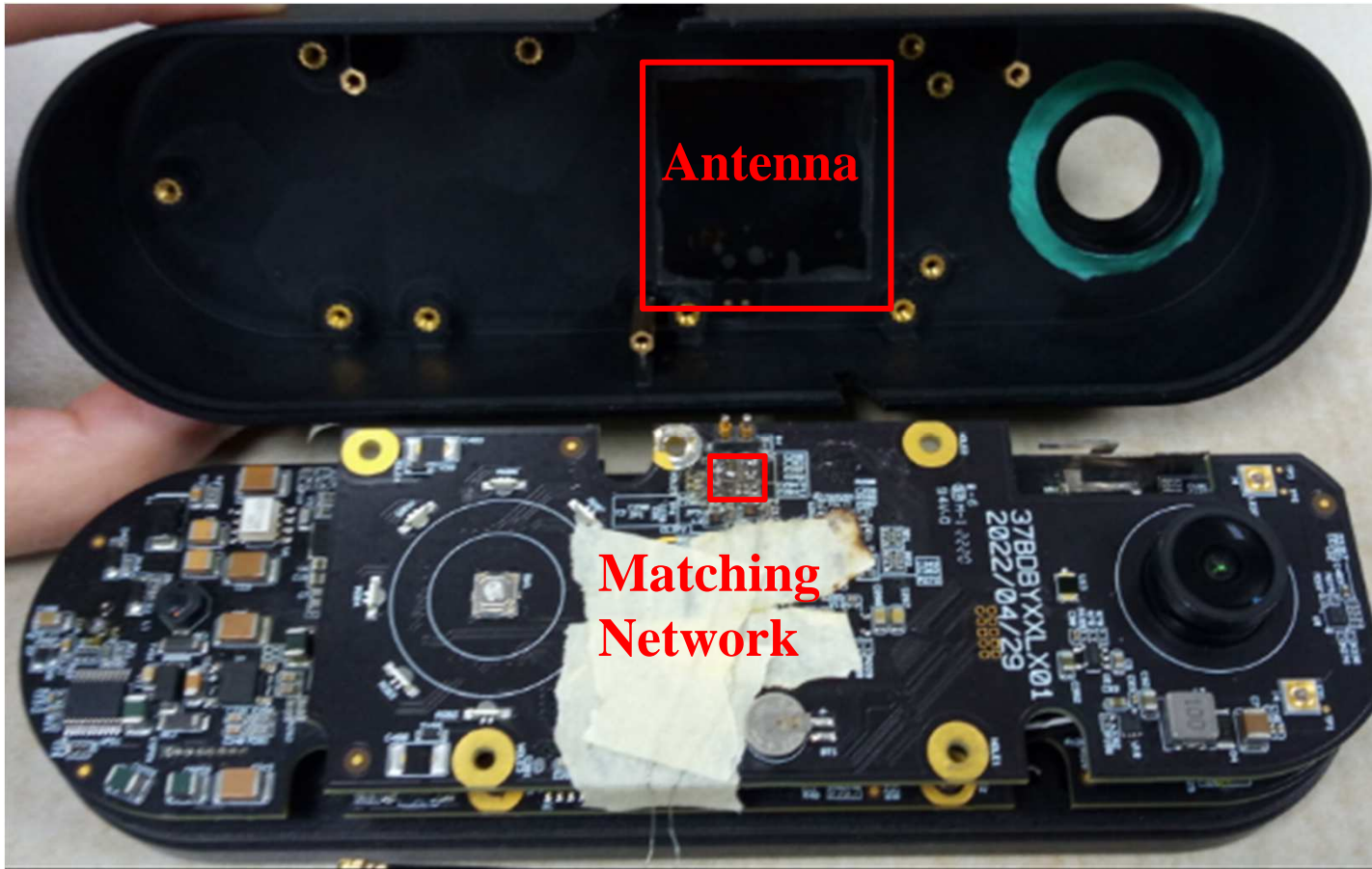
1.1 Antenna Solution



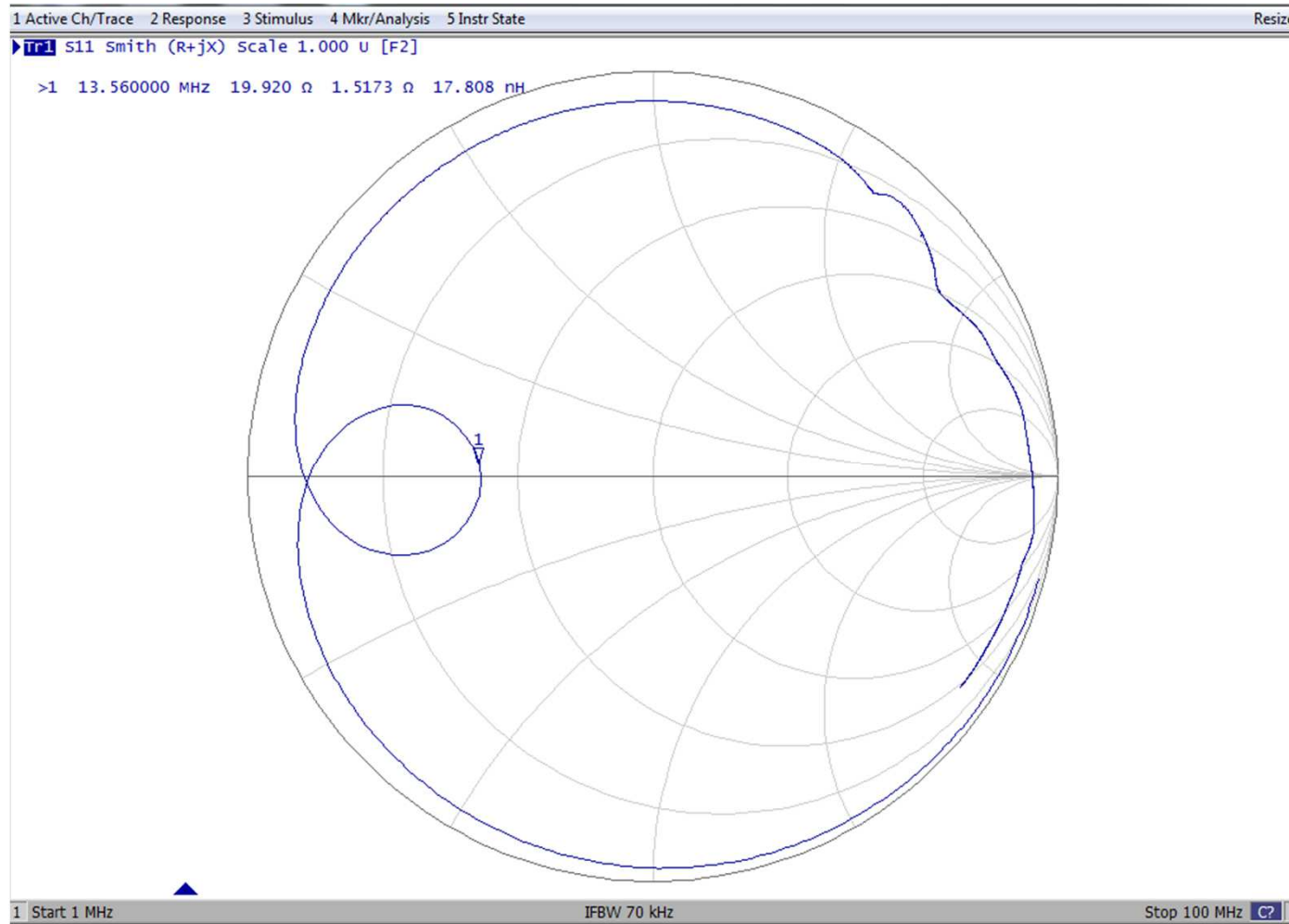
Dimensions					
	PCB Antenna	AD	Ferrite Cover	Ferrite	AD
L(mm)	30				
W(mm)	30				
H(mm,0.5 oz)	0.4	0.03	0.01	0.1	0.03
Total H(mm)	0.57				

1. Mechanical Specification

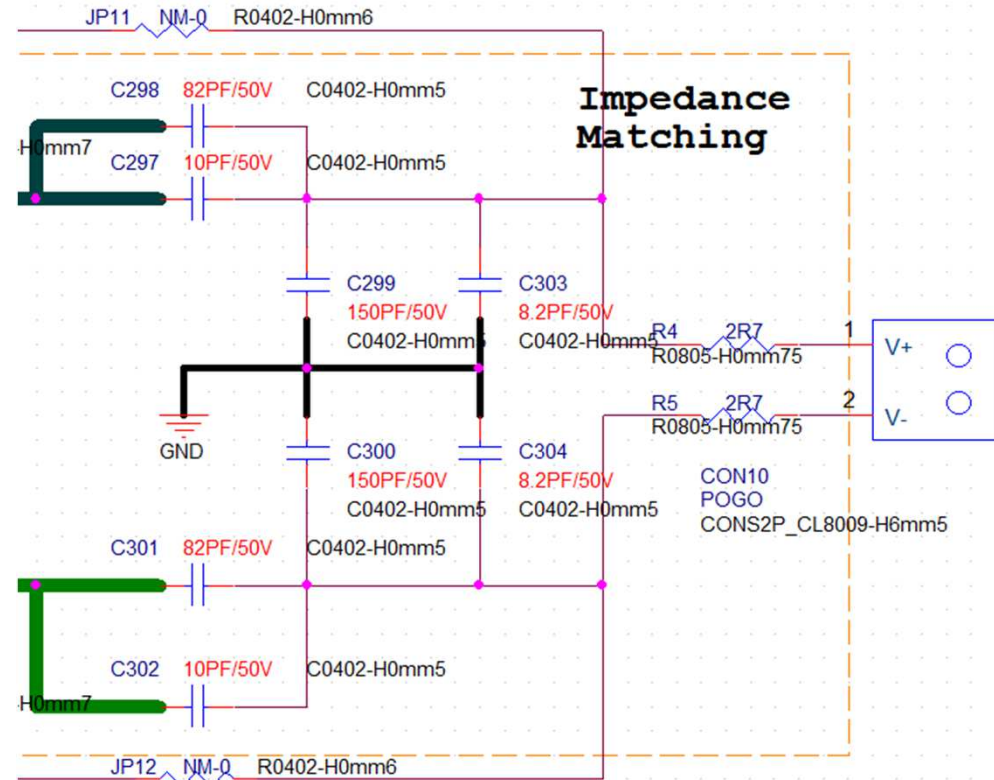
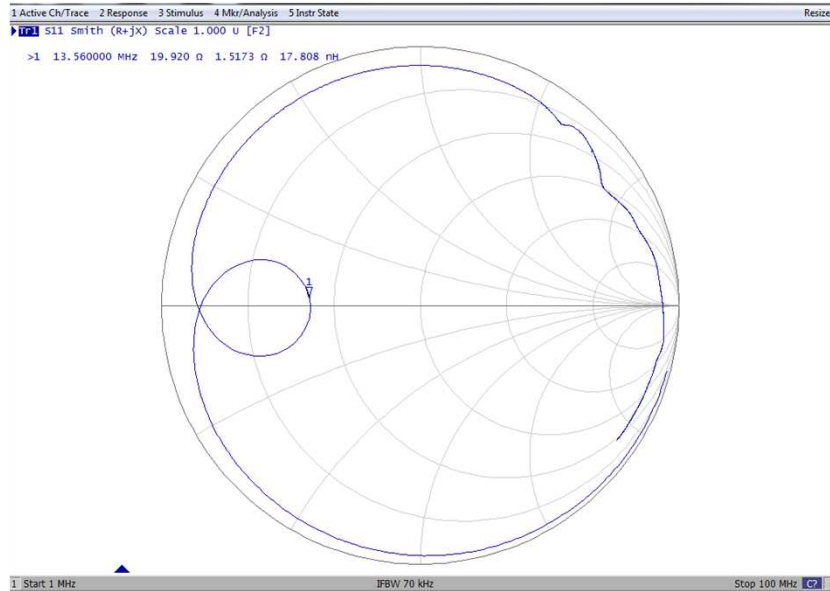
1.1 Experimental Setup



2. NFC Matching Circuit



2. NFC Matching Circuit



	C298 & C302	C297 & C301	C299 & C300	C303 & C304
Value	68pF	22pF	100pF	22pF

3. Summary

- 匹配根據實際機台環境進行微調
- 此機台為被動測試機，暫時無法進行距離測試
- 詳細匹配值見P.7

Thank you

本資料均屬機密，僅供指定之收件人使用，未經寄件人許可不得揭露、複製或散佈本信件。

This message and any attachments are confidential and may be legally privileged. Any unauthorized review, use or distribution by anyone other than the intended recipient is strictly prohibited. If you are not the intended recipient, please immediately notify the sender, completely delete this documents, and destroy all copies. Your cooperation will be highly appreciated.