

平面印刷品基本技术要求

深圳市云视机器人有限公司

设计:	日期:2023.03.14	物料名称	PF2说明书 (英文)
尺寸:110*158mm	材质: 100g双铜纸	产品型号	PF2
页数:20p	印刷颜色:四色印刷+单黑	物料编号	903-0801-0000
比例:1:1	装订方式:骑马钉装	版次	V01 (03.14)

A large, stylized graphic of a cat's head in profile, facing right. The head is white with a large, dark grey eye and a white pupil. The background behind the head is a solid grey color. The overall style is minimalist and modern.

petgugu

PF2 Intelligent Pet Feeder Manual

Please read this manual carefully
and keep it properly before using the product.

Federal Communications Commission (FCC) Interference Statement

This equipment has been tested and found to comply with the limits for a Class B digital device, pursuant to Part 15 of the FCC Rules.

These limits are designed to provide reasonable protection against harmful interference in a residential installation. This equipment generate, uses and can radiate radio frequency energy and, if not installed and used in accordance with the instructions, may cause harmful interference to radio communications.

However, there is no guarantee that interference will not occur in a particular installation. If this equipment does cause harmful interference to radio or television reception, which can be determined by turning the equipment off and on, the user is encouraged to try to correct the interference by one of the following measures:

- Reorient or relocate the receiving antenna.
- Increase the separation between the equipment and receiver.
- Connect the equipment into an outlet on a circuit different from that to which the receiver is connected.
- Consult the dealer or an experienced radio/TV technician for help.

This device complies with Part 15 of the FCC Rules.

Operation is subject to the following two conditions: (1) This device may not cause harmful interference, and (2) this device must accept any interference received, including interference that may cause undesired operation.

FCC Caution: Any changes or modifications not expressly approved by the party responsible for compliance could void the user's authority to operate this equipment.

RF exposure warning

This equipment complies with FCC radiation exposure limits set forth for an uncontrolled environment. This equipment must be installed and operated in accordance with provided instructions and the antenna(s) used for this transmitter must be installed to provide a separation distance of at least 20 cm from all persons and must not be collocated or operating in conjunction with any other antenna or transmitter.

Contents

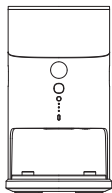
Use Safety Instructions _____	1
List of Parts _____	2
Product Introduction _____	2
Product Use _____	4
Product Placement Instructions _____	6
Key Description _____	7
Indicator Description _____	8
Connect to App _____	9
Maintenance _____	9
Basic Parameters _____	13
FAQ _____	14
Maintenance Record _____	15
Services And Support _____	15

Use Safety Instructions

* Please observe the following terms and conditions to avoid that the product cannot be used normally or have any other accidental loss.

1. All accessories of this device are not edible.
2. Please install and use this device strictly according to the instructions.
3. This device is not recommended for pets within three months.
4. Please use this device indoors in a dry environment.
5. Please keep this device horizontally during use, and do not tilt or overturn it.
6. Please store the power cord properly, so as to avoid electricity leakage caused by pet biting.
7. Please do not put items other than pet food into food storage bucket, which will result in abnormal use of device.
8. To prevent pets from throwing down the device, it is recommended to place the device in the corner or against the wall.
9. Please do not touch the pet food outlet when the device delivers the food.
10. The host of this device is prohibited from soaking in water.
11. It is forbidden to place heavy objects in the food bowl, so as not to affect the weighing function.
12. If children use this device, please make sure to use it under the guidance of adults.
13. Please do not use any non-special accessories. Our company is only responsible for the performance and safety of the accessories provided officially.
14. No one except for maintenance personnel shall disassemble and repair the device to avoid accidental injury.

List of Parts



Host



Food Bowl



Adapter

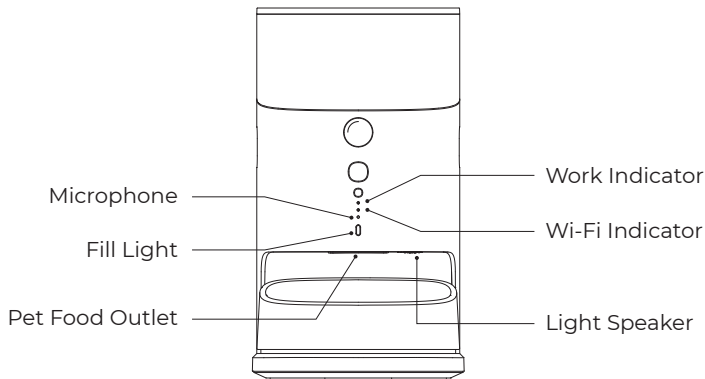


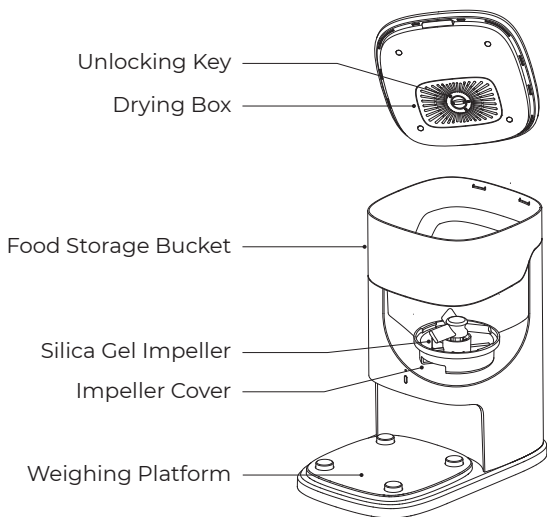
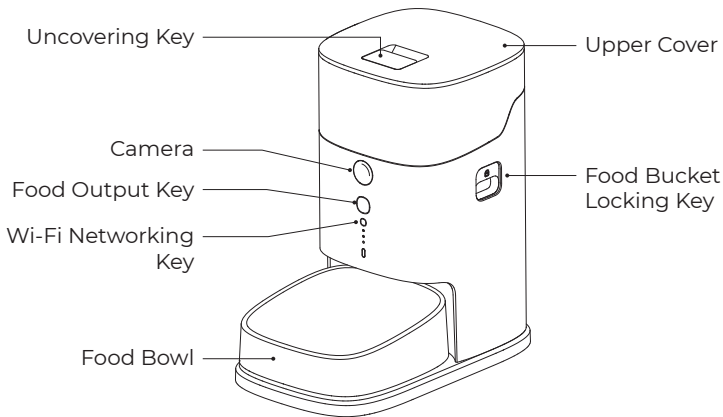
Drying Box

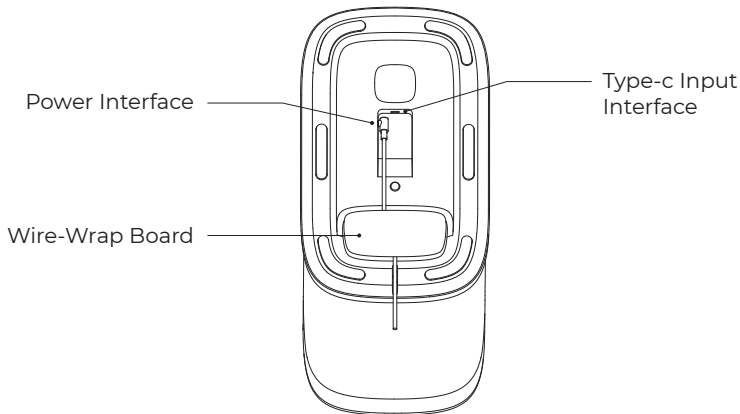


Manual

Product Introduction







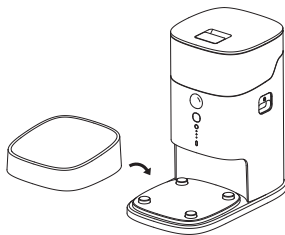
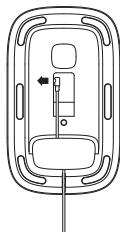
Product Use

1. Connect the power adapter

Take out the power adapter and plug it into the power interface at the bottom of the host.

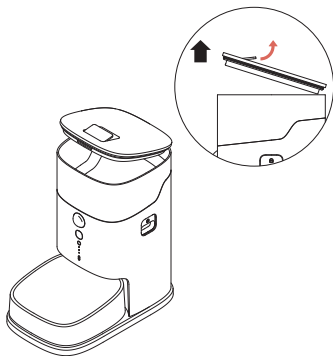
2. Install the host

- ①. Please place the host on a horizontal surface.
- ②. Put the food bowl on the weighing platform of the host.
(As shown below)



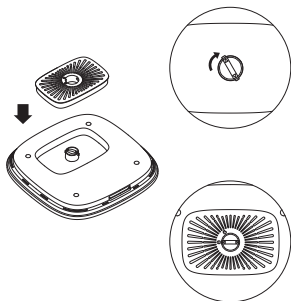
3. Open the upper cover

Pull up the cover opening key and lift it up.



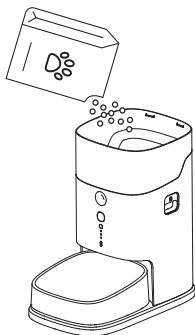
4. Put in the drying box

- ① Lay the upper cover flat, rotate the unlocking key clockwise by 60°, and put in the drying box.
- ② Rotate the arrow symbol [▲] of unlocking key, and align it to the locking symbol [Θ] to complete the locking.



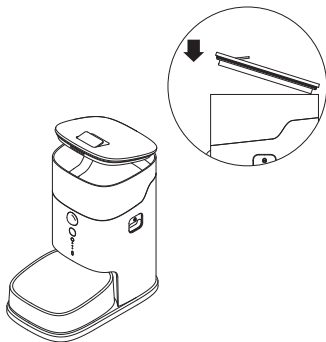
5. Add pet food

Add the pet food. (Pay attention to the size of pet food)



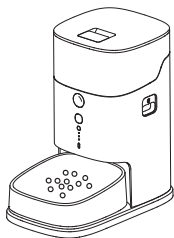
6. Cover the upper cover

Lift the upper cover key and close it downward.



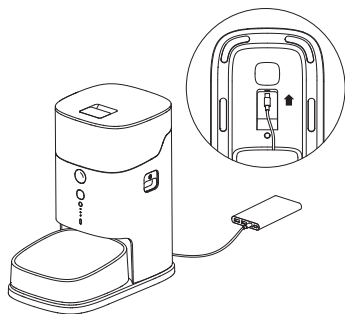
7. Manual feeding

Click the food output key to output the food; deliver one piece of food at a time.



Note: External connection of mobile power supply
Can be connected with external mobile power supply to prevent device from being unusable during power failure.

Insert the Type-c output interface of the mobile power supply into the Type-c input interface at the bottom of the host.



Product Placement Instructions

Placement reminder:

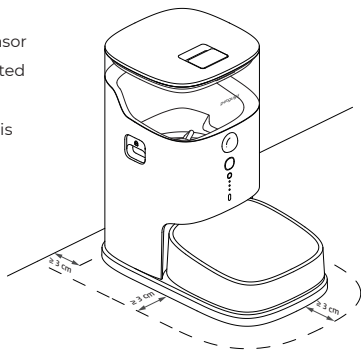
1. There should be no foreign bodies (such as food, etc.) stuck at the bottom or edge of the food bowl.

The device should be placed on a stable and hard horizontal plane
2. and there should be a distance of more than 3cm kept from other objects (such as walls, etc.).

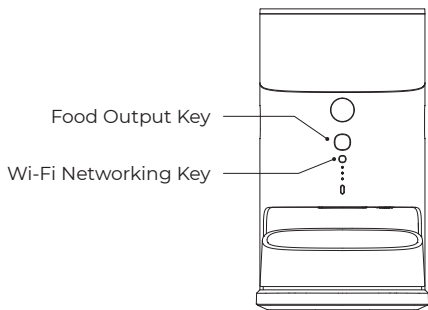
3. Please clamp the power cord of the device into the bottom groove, and the bottom cannot be stranded with foreign bodies;

Tips:

In order to avoid the interference of sensor and prevent the accuracy of data reported from being affected, the above points should be considered when the device is placed.



Key Description



Food Output Key:

Single click the food output key: ① deliver one piece of food;

② End the continuous food output (continuous food output state).

Double click the food output key: enter the continuous food output mode.

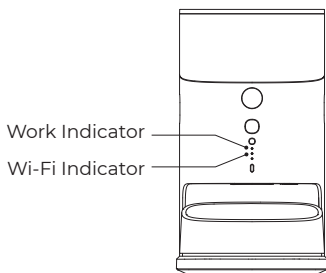
Wi-Fi Networking Key:

Long press it for 5s, and the Wi-Fi indicator flashes in blue, and then enter the Wi-Fi networking state.

Open/Close The Child Lock:

Press the food output key and Wi-Fi networking key for 3s at the same time to open/close the child lock.

Indicator Description



Work indicator:

White flashing: When the power supply is turned on, it flashes until it is initialized successfully and then goes out.

White always on: 1. The feeder is delivering the food and then goes out after delivering the food;
2. The camera is working. Red flashing: abnormal food output.

Red flashing in a slow speed: insufficient surplus food in the bucket.

* It is off after 3min of abnormal prompt, and then press the food output key to wake up the indicator.

Wi-Fi indicator:

Blue flash: enter the networking state and wait for Wi-Fi connection.

Blue is always bright: Wi-Fi connection is successful.

* Connection failure or disconnection for 3min without re-connection, indicator goes out.

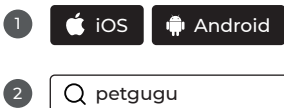
Connect to App

Download and install App

Method 1: Scan the QR code and download and install the App according to the prompts



Method 2: Open the mobile app store, search for "petgugu", download and install it.



Tips

1. After installation, please complete the registration, login and networking as instructed by mobile App page.
2. Please confirm that the network Wi-Fi is 2.4 G band network before networking.

Maintenance

I. Maintenance Precautions

1. Please do not put the device in a place where the sun shines directly, so as not to accelerate the yellowing and aging of the device.
2. Please disconnect the power supply, clean the whole device, and ensure that the bottom power interface is dry.
3. Please clean food storage bucket and food bowl in large containers such as sinks.
4. Clean food storage bucket, mixing impeller, food bowl, etc. Please rinse them with warm water within 40°C. (Please do not soak them in hot water for cleaning)

5. Please do not use gasoline, kerosene, polishing powder, bleach and other chemical reagents to clean the device.
6. For daily maintenance, wipe and clean the surface stains of device or power cord with a soft cloth that once has been rinsed with warm water. (Please remove the power supply first.)
7. In case the device not used for a long time, please clean and dry it, put all parts into the packaging box in the original packaging sequence, and place it in a dry place for proper storage.

II. Replacement of drying box

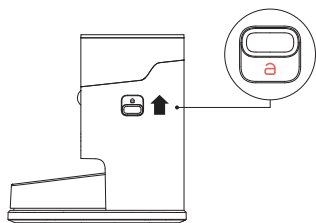
1. It is recommended to replace the drying box once every 30 days under normal use.
2. For the sake of pet health, please replace the drying box according to the climate change and the service condition of the drying box.

* The drying box should not be placed in water or washed with water directly.

III. Cleaning guidance

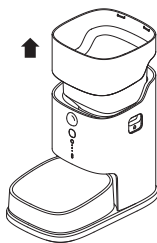
1. Unlock the food storage bucket

Push the food bucket locking keys of the left and right upward to the unlocking state at the same time.



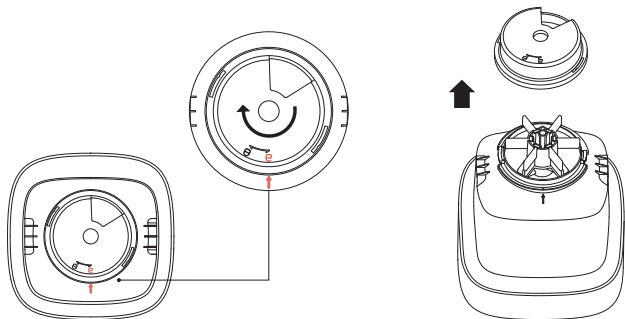
2. Take out the food storage bucket

Take off the upper cover, grab the wall of the food storage bucket and take it out upwards.



3. Take out the impeller cover

Empty the food storage bucket, turn it upside down, rotate the impeller cover clockwise to the unlocking symbol [⊖], align it to the arrow symbol of the food storage bucket [↑], and then take it out upward.



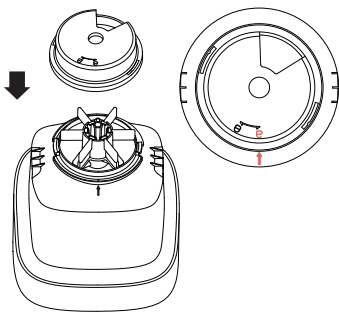
* Clean it and put it back one by one after drying

(except for food storage bucket, mixing impeller, silica gel impeller, impeller cover and food bowl, other parts cannot be washed directly, and it is recommended to wipe the cleaning equipment with a soft cloth which once has been rinsed with warm water).

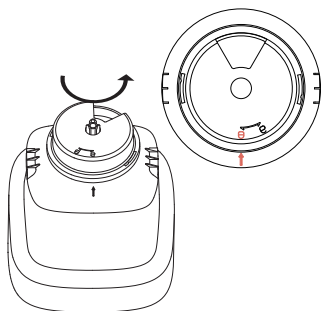
IV. Installation guidance

1. Install impeller cover

①.Press the impeller cover unlocking symbol [⊖], and align it to the arrow symbol of food storage bucket [↑], and then press down.



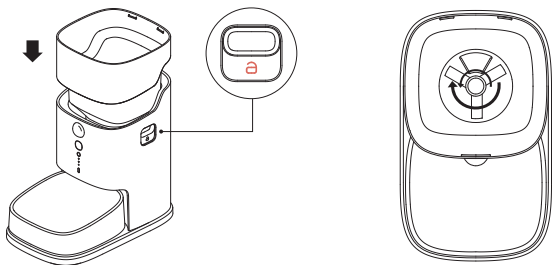
②. Rotate the impeller cover locking symbol [⊖] counterclockwise and align it to the arrow symbol of food storage bucket [↑] to complete the locking.



2. Install food storage bucket

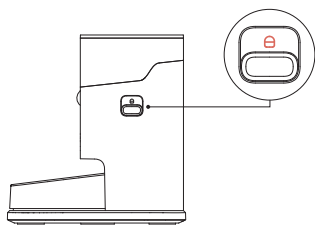
Place the food storage bucket on the host. If the food storage bucket cannot go down:

- ① Please push the food bowl locking keys on both sides up to the unlocking state at the same time.
- ② Please rotate the mixing impeller in the food storage bucket until the food storage bucket is completely put down.



3. Lock the food storage bucket

At the same time, push the food bowl locking keys on both sides down to the locking state to complete the locking.



Basic Parameters

Product Name	Intelligent Pet Feeder
Model	PF2
Product Net Weight	4.3kg
Product Capacity	3.5L
Product Size	345.7×208.7×366.6mm
Main Material	Ceramics (food bowl), ABS (body) PC (food storage bucket)
Input Parameters	5.2V \equiv 2.0A
Rated Power	10.4W
Power Cord Length	1.5m/1.8m
Working Temperature	0°C~50°C
Working Humidity	10%-90%RH
Applicable Standard	GB4706.1-2005

FAQ

1. There is no response from the device after the power supply is connected?

Check whether both ends of the power adapter are connected normally and not loose, and power on normally.

2. How to shut down the device when it is not used for a long time?

The device has no shutdown key. When it is not used for a long time, unplug the power supply.

3. APP networking connection fails, and the device could not connect to the network?

Please make sure that the mobile phone is connected to the network Wi-Fi in the 2.4G band and the device is in the Wi-Fi signal range.

4. The device has no voice prompt

Please check whether the APP side has turned off the voice prompt or reduced the volume of the prompt tone to 0.

5. External mobile power supply for device

If the device is connected with adapter and mobile power supply at the same time, the priority is given to adapter to supply the power to the device (the device does not support the reverse charging for mobile power supply); After power failure, the device automatically switches to the mobile power supply for power supply. In this state, the device only retains the functions of regular food output and voice broadcast.

6. About food bowl cleaning

In order to protect pet's diet health, it is recommended that users clean the food bowl once a week.

Maintenance Record

Name of Maintenance Center: _____

Maintenance Center Tel: _____

Delivery Date: _____

Cause of Failure: _____


Failure Situation in Repair: _____

Certificate of Change or Refund: _____

Signature of Maintenance Personnel: _____

Stamp of Maintenance Center: _____

Services And Support

 Website: www.petgugu.com

 Email: US: service@petgugu.com

JP: service.jp@petgugu.com

EU: service.eu@petgugu.com



Scannen Sie den QR-Code, um das Online-Handbuch auf Deutsch zu erhalten.

Scannez le QR code pour obtenir le manuel en ligne en français.

Scansiona il codice QR per ottenere il manuale online in italiano.

Escanee el código QR para obtener el manual en línea en español.

コードをスキャンして、日本語のオンライン マニュアルを取得します。