

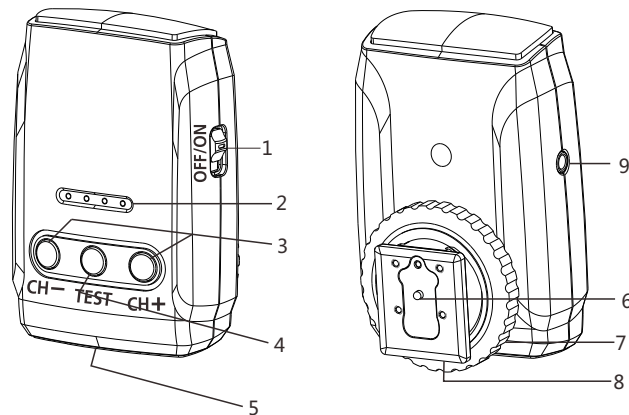
WT-U Flash Trigger User Manual



Thank you for purchasing this product

Before use, please read this user manual carefully in order to ensure your safety. Keep it properly for reference in future.

1. Product Structure



- | | |
|-----------------------------|-------------------------|
| 1. Power Switch | 2. 2.4G Indicating Lamp |
| 3. Channel Selection Button | 4. Test Button |
| 5. Battery Compartment | 6. Hot-shoe Contact |
| 7. Lock Ring | 8. Hot-shoe |
| | 9. Sync Socket |

2. Instruction

1. Install the battery in the trigger. Remove the battery cover, make sure the battery positive and negative polarity is correctly inserted in the battery compartment, then close the battery compartment.

2. Set the hot shoe of flash trigger WT-U on the camera's hot shoe, switch the trigger power on, press the selection button of trigger and then set same channel as the flash, press the test button on the trigger to trigger the flash.

3. If the camera does not have hot shoe, use the Sync cable to connect the trigger and camera. One side connecting the sync socket of trigger, another side connecting the PC socket of camera. Press the shutter button of camera to trigger the flash.



3. 2.4G Channel Instruction

CH1		CH9	
CH2		CH10	
CH3		CH11	
CH4		CH12	
CH5		CH13	
CH6		CH14	
CH7		CH15	
CH8			

Note: The flash will be triggered only when the flash and trigger are in same channel.

4. Specification:

Model: WT-U Channel: 15 channels Net Weight: 38g
Transmission Distance: 50 m Wireless Frequency: 2.4G
Power Source: 23A 12V alkaline battery

• Specifications and design are subject to change without notice.

Federal Communications Commission (FCC) Statement. This device complies with part 15 of the FCC Rules. Operation is subject to the following two conditions:

- (1) This device may not cause harmful interference, and
- (2) this device must accept any interference received,

including interference that may cause undesired operation. Note: This equipment has been tested and found to comply with the limits for a Class B digital device, pursuant to part 15 of the FCC Rules. These limits are designed to provide Reasonable protection against harmful interference in a residential installation. This equipment generates, uses and can radiate radio frequency energy and, if not installed and used in accordance with the instructions, may cause harmful interference to radio communications. However, there is no guarantee that interference will not occur in a particular installation. If this equipment does cause harmful interference to radio or television reception, which can be determined by turning the equipment off and on, the user is encouraged to try to correct the interference by one or more of the following measures:

- Reorient or relocate the receiving antenna.
- Increase the separation between the equipment and receiver.
- Connect the equipment into an outlet on a circuit different from that to which the receiver is connected.
- Consult the dealer or an experienced radio/TV technician for help.

Warning: Changes or modifications made to this device not expressly approved by **Shenzhen Lepower Electronic Co., Ltd.** may void the FCC authorization to operate this device. Note: The manufacturer is not responsible for any radio or TV interference caused by unauthorized modifications to this equipment. Such modifications could void the user's authority to operate the equipment.

RF exposure statement:

The device complies with the FCC RF exposure requirements and can be installed and used without restriction.