

Product Information

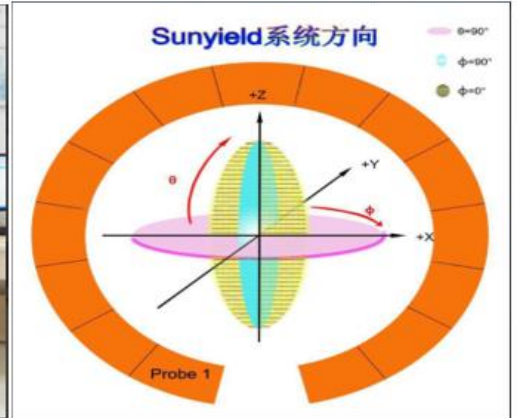
Client	LDS	Protocol	WiFi
Project Number	IOT221109005	Sample Quantity	1
Model Number		PCB Version	
Chip Type		Structure Version	正式模
Sample Pictures			

Summary

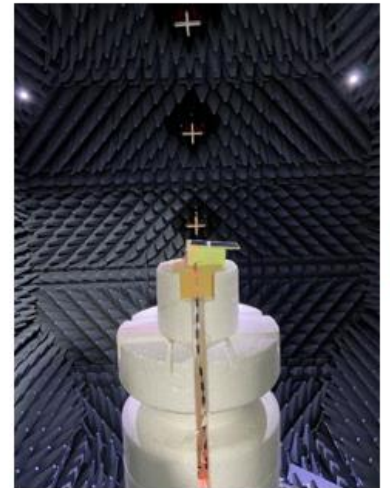
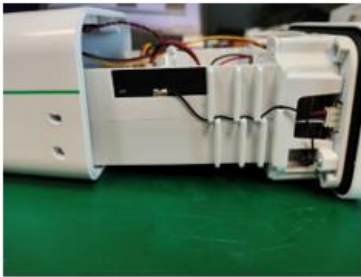
No.	Items	Index			Test Result	Conclusion
1	<u>Efficiency (%)</u>	A (≥45%)	B (25%~44.99%)	C ≤24.99%	wifi 2.4G : 55.24% WiFi 5G : 52.7%	A
2	<u>VSWR</u>	≤2.5			1.9	PASS
3	<u>Distance Test</u>	WiFi 100M	BLE 10M	Zigbee 40M	100M	PASS
Author		DeYun Li			Test Date	2023.06.17
Verifier		DeYun Li			Review Date	2023.06.17
Version		V1.0			Revise Content	Reviser

Test Environment

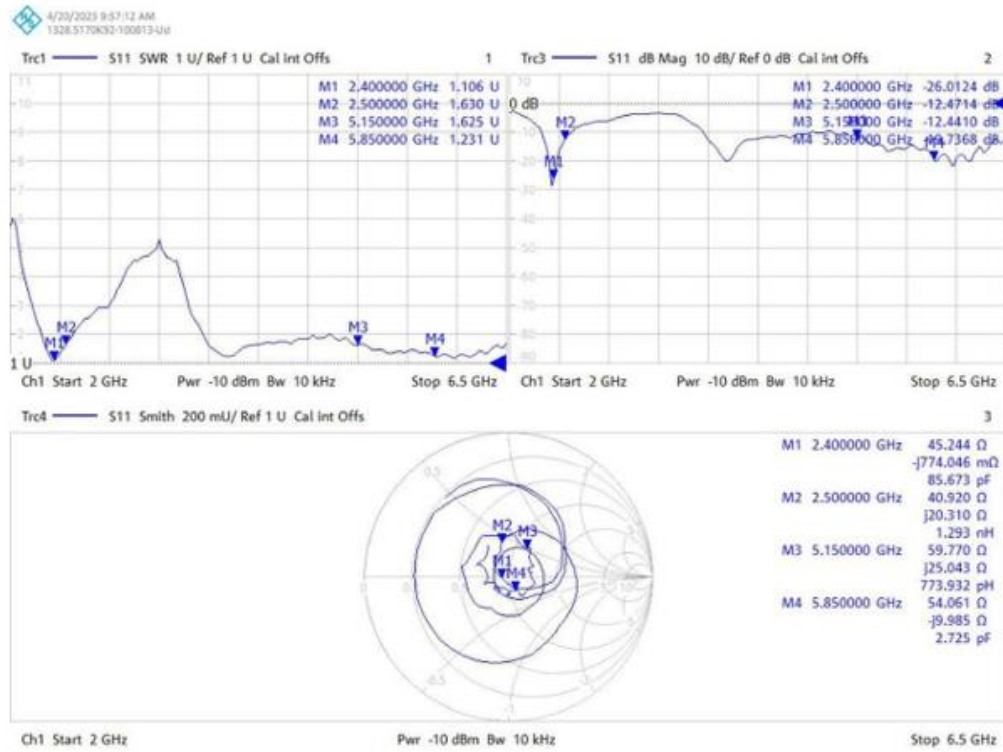
SY-16M Test System



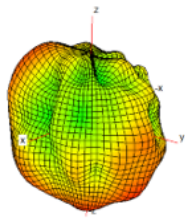
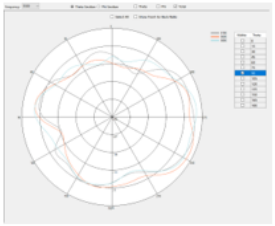
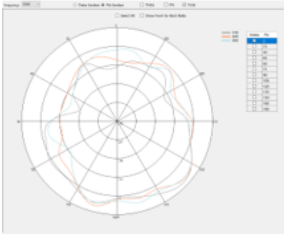
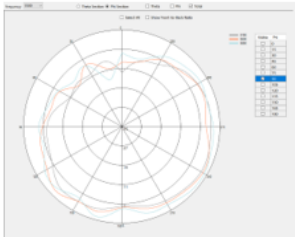
Sample Picture



VNA Data



Frequency (MHz)	Gain (dBi)	Efficiency (%)	3D	$\theta = 90^\circ$ (XY Plane)
2400	2.69	47.17		
2410	2.62	49.20		
2420	2.52	52.56		
2430	2.53	54.60		
2440	2.47	56.86		
2450	2.57	58.25		
2460	2.59	59.19		
2470	2.54	60.09	$\phi = 0^\circ$ (XZ Plane)	$\phi = 90^\circ$ (YZ Plane)
2480	2.51	59.03		
2490	2.47	55.76		
2500	-2.15	54.97		

Frequency (MHz)	Gain (dBi)	Efficiency (%)	3D	$\theta = 90^\circ$ (XY Plane)
5150	2.30	46.93		
5200	2.65	49.89		
5250	2.71	49.31		
5300	2.99	50.39		
5350	2.07	51.63		
5400	2.21	52.11		
5450	2.27	54.06		
5500	2.01	51.94		
5550	1.84	54.41		
5600	1.89	53.77		
5650	2.05	54.06		
5700	2.15	56.76		
5750	2.13	54.78		
5800	2.18	55.25		
5850	2.11	55.22		